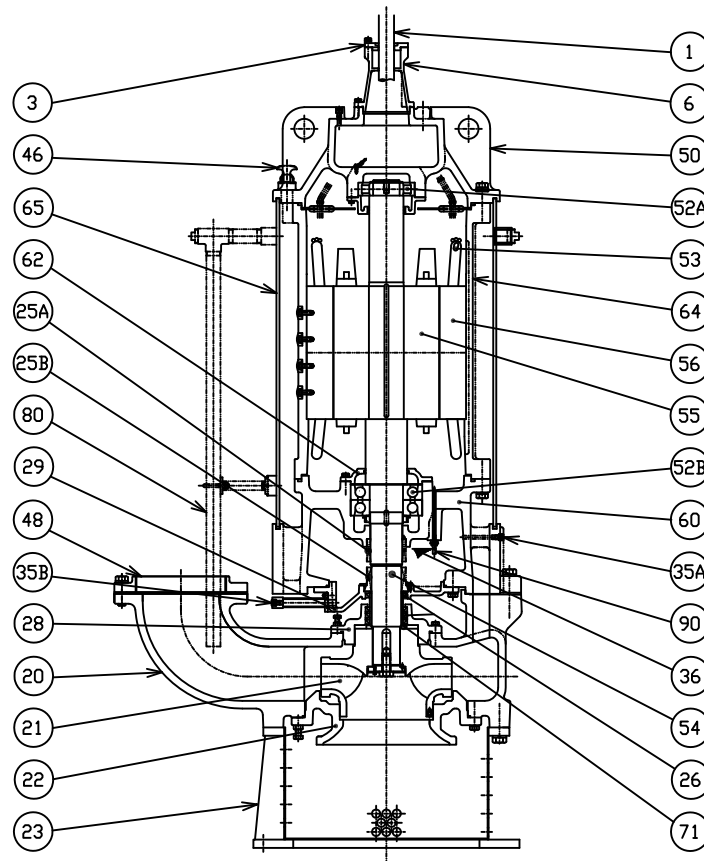




**GSZ-4 SERIES**  
HIGH VOLUME - DEWATERING PUMPS

**SECTIONAL VIEW**

**GSZ-150-4**



| PART# | DESCRIPTION             | MAIN MATERIAL / NOTE                             | RELATED ASTM,AISI CODE      | RELATED EN CODE                  | QTY |
|-------|-------------------------|--|-----------------------------|----------------------------------|-----|
| 1     | Power Cable             | Chloroprene Sheath AWG 1/0-3C, 4-1C, 14-3C -50ft |                             |                                  | 1   |
|       | Power Cable             | Chloroprene Sheath AWG 1/0-3C -50ft              |                             |                                  | 1   |
| 3     | Gland                   | Cast Iron  | A48M Class30B               | EN 1561 GJL-200                  | 2   |
| 6     | Stuffing Box            | Cast Iron  | A48M Class30B               | EN 1561 GJL-200                  | 2   |
| 20    | Pump Casing             | Cast Iron  | A48M Class30B               | EN 1561 GJL-200                  | 1   |
| 21    | Impeller                | High Chrome Cast Iron                            | A532 Class III TypeA        | DIN 1695 G-X260Cr27              | 1   |
| 22    | Suction Cover           | Cast Iron  | A48M Class30B               | EN 1561 GJL-200                  | 1   |
| 23    | Suction Strainer        | Steel  | A283 Grade D                | EN 10025 S275                    | 1   |
| 25A   | Mechanical Seal         | Carbide Alloy / MU0095                           |                             |                                  | 1   |
| 25B   | Mechanical Seal         | Silicon Carbide / ML0090                         |                             |                                  | 1   |
| 26    | Oil Seal                | NBR / TC10012513                                 |                             |                                  | 4   |
| 28    | Seal Housing            | Cast Iron  | A48M Class30B               | EN 1561 GJL-200                  | 1   |
| 29    | Oil Casing              | Cast Iron  | A48M Class30B               | EN 1561 GJL-200                  | 1   |
| 35A   | Oil Plug                | Stainless Steel                                  | S 30400                     | 1.4301                           | 4   |
| 35B   | Oil Plug                | Stainless Steel                                  | S 30400                     | 1.4301                           | 1   |
| 36    | Lubricant               | Turbine Oil ISO VG32 or SAE 10W-20               |                             |                                  |     |
| 46    | Air Release Valve       | Steel (Cold Rolled)                              | A109 / A1008                | EN 10130                         | 1   |
| 48    | Companion Flange        | Cast Iron / NPT 10" JIS10K                       | A48M Class30B               | EN 1561 GJL-200                  | 1   |
| 50    | Motor Bracket           | Cast Iron  | A48M Class35B               | EN 1561 GJL-250                  | 1   |
| 52A   | Upper Bearing           | #NU316   |                             |                                  | 1   |
| 52B   | Lower Bearing           | #7320BTDB  |                             |                                  | 1   |
| 53    | Motor Protector         |  |                             |                                  | 3   |
| 54    | Shaft                   | Stainless Steel                                  | S 42000                     | 1.4021                           | 1   |
| 55    | Rotor                   |  |                             |                                  | 1   |
| 56    | Stator                  |  |                             |                                  | 1   |
| 60    | Bearing Housing         | Cast Iron  | A48M Class35B               | EN 1561 GJL-250                  | 1   |
| 62    | Bearing Cover           | Cast Iron  | A48M Class35B               | EN 1561 GJL-250                  | 1   |
| 64    | Motor Housing           | Cast Iron  | A48M Class35B               | EN 1561 GJL-250                  | 1   |
| 65    | Outer Cover             | Steel Pipe (& Steel)                             | A53 Type F (& A283 Grade D) | DIN 1615 St 33 (& EN 10025 S275) | 1   |
| 71    | Shaft Sleeve            | Stainless Steel                                  | S 40300                     | 1.4000                           | 1   |
| 80    | Cooling Pipe Set        | Steel  | A283 Grade D                | EN 10025 S275                    | 1   |
| 90    | Leak Sensor (Electrode) | Stainless Steel                                  | S 30300                     | 1.4305                           | 1   |