

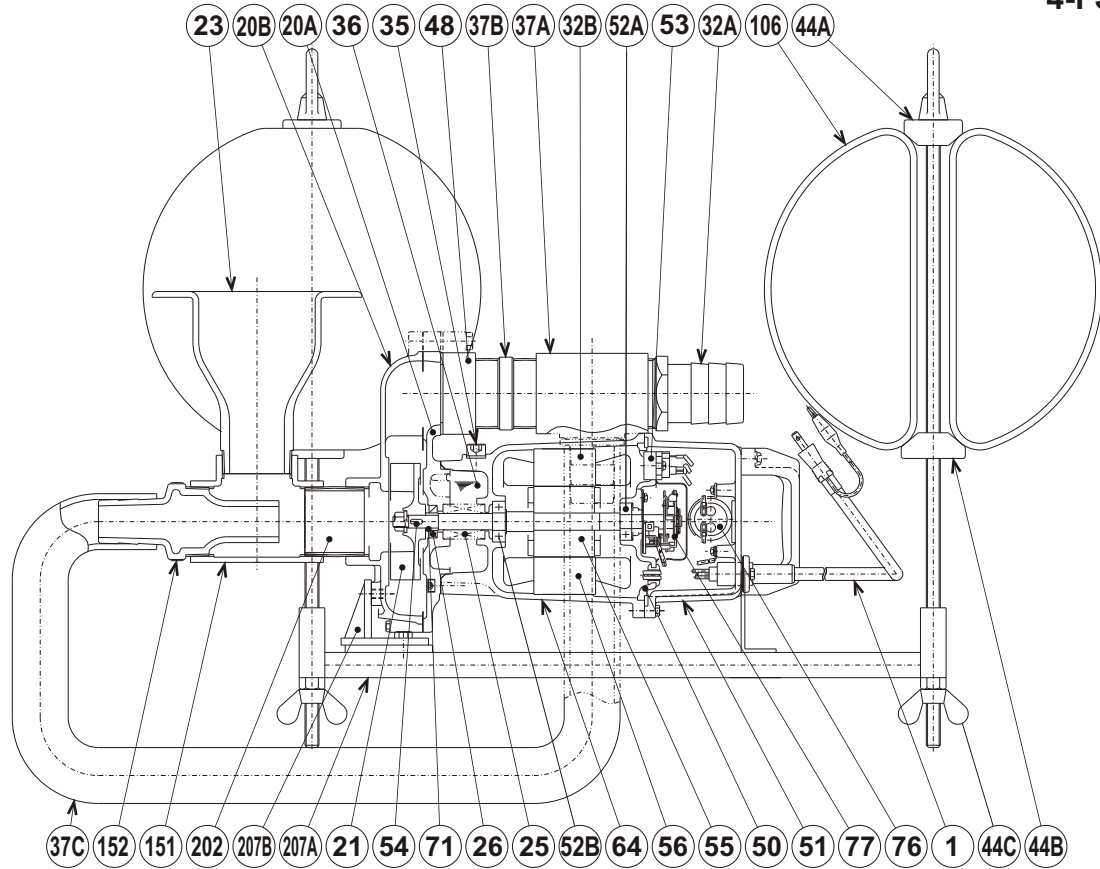


TSURUMI PUMP

**FSP - SERIES
SCUM SKIMMER PUMP**

SECTIONAL VIEW

4-FSPS2



PART#	DESCRIPTION	MAIN MATERIAL / N OTE	ASTM, AISI CODE	RELATED DIN CODE	QTY
1	Power Cable	PVC Sheath AWG16/3- 32ft			1
20A	Upper Pump Casing	Cast Iron	A48M Class30B	EN 1561 GJL-200	1
20B	Lower Pump Casing	Cast Iron	A48M Class30B	EN 1561 GJL-200	1
21	Impeller	Cast Iron	A48M Class30B	EN 1561 GJL-200	1
23	Suction Opening	Resin			1
25	Mechanical Seal	Silicon Carbide / W-14HC			1
26	Oil Seal	NBR / SC-15287			1
32A	Hose Coupling	Resin			1
32B	Hose Coupling	Resin			1
35	Oil Plug	Stainless Steel	S 30400	1.4301	1
36	Lubricant	Turbine Oil ISO VG32 or SAE 10W-20			
37A	Discharge Pipe	Cast Iron	A48M Class30B	EN 1561 GJL-200	1
37B	Discharge Pipe	Steel	A283 Grade D	EN 10025 S275	1
37C	Circulating Hose	Vinyl Suction Hose			1
44A	Float Mounting Hardware	Stainless Steel + Cast Iron	S 30400 + A48M Class30B	1.4301 + EN 1561 GJL-200	3
44B	Float Mounting Hardware	Cast Iron	A48M Class30B	EN 1561 GJL-200	3
44C	Float Mounting Hardware	Stainless Steel	S 30400	1.4301	3
48	Companion Flange	Resin			1
50	Motor Bracket	Cast Iron	A48M Class25B	EN 1561 GJL-150	1
51	Head Cover	Cast Iron	A48M Class25B	EN 1561 GJL-150	1
52A	Upper Bearing	#6201ZZC3			1
52B	Lower Bearing	#6202ZZC3			1
53	Motor Protector				1
54	Shaft	Stainless Steel	S 42000	1.4028	1
55	Rotor				1
56	Stator				1
64	Motor Housing	Cast Iron	A48M Class25B	EN 1561 GJL-150	1
71	Shaft Sleeve	Stainless Steel	S 43000	1.4016	1
76	Capacitor				1
77	Centrifugal Switch				1
106	Float	Resin			3
151	Suction Casing	Cast Iron	A48M Class30B	EN 1561 GJL-200	1
152	Nozzle	Resin			1
202	Suction Pipe	Cast Iron	A48M Class30B	EN 1561 GJL-200	1
207A	Frame	Steel Pipe (& Steel)	A53 Type F (& A283 Grade D)	DIN 1615 St 33 (& EN 10025 S275)	1
207B	Frame	Steel	A283 Grade D	EN 10025 S275	1