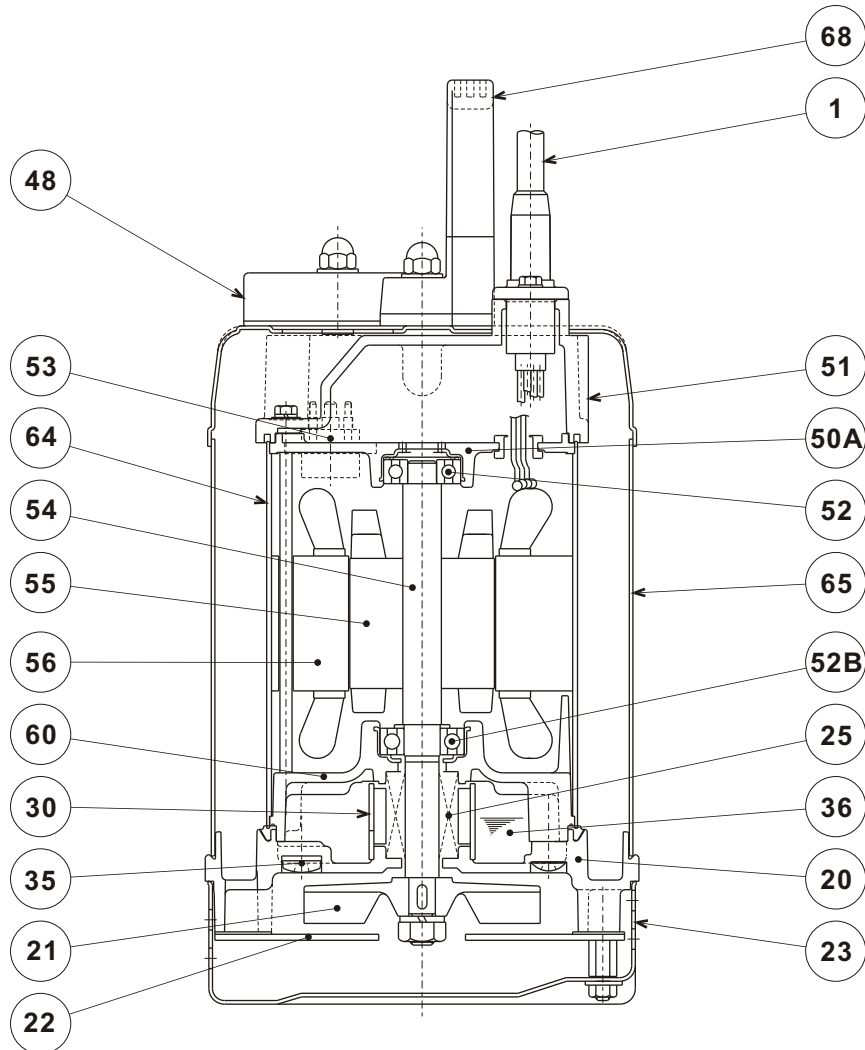




**SQ - SERIES**  
**ALL 304 SS - DEWATERING PUMPS**

**SECTIONAL VIEW**

**50SQ2.75-62**



ITEM#	DESCRIPTION	MAIN MATERIAL / NOTE	ASTM, AISI CODE	RELATED DIN CODE	Q'TY
1	Power Cable	PVC Sheath AWG16/4-32ft			1
20	Pump Casing	Stainless Steel Casting	A743 CF-8	17445 G-X6 CrNi 18-9	1
21	Impeller	Stainless Steel Casting	A743 CF-8	17445 G-X6 CrNi 18-9	1
22	Suction Cover	Stainless Steel	AISI 304	17440 X5 CrNi 18-9	1
23	Suction Strainer	Stainless Steel	AISI 304	17440 X5 CrNi 18-9	1
25	Mechanical Seal	Silicon Carbide / W-14HL			1
30	Oil Lifter	PBT Plastic w/(GF+MD)40			1
35	Oil Plug	Stainless Steel	AISI 304	17440 X5 CrNi 18-9	1
36	Lubricant	White Oil ISO VG15			
48	Companion Flange	PBT Plastic W/GF30 / NPT 2"			1
50	Motor Bracket	Aluminum Alloy Die Casting	B85 , A383	N/A (BS Code LM 2)	1
51	Motor Head Cover	Stainless Steel Casting	A743 CF-8	17445 G-X6 CrNi 18-9	1
52A	Upper Bearing	#6201ZZC3			1
52B	Lower Bearing	#6302ZZC3			1
53	Motor Protector				1
54	Shaft	Stainless Steel	AISI 304	17440 X5 CrNi 18-9	1
55	Rotor				1
56	Stator				1
60	Bearing Housing	Aluminum Alloy Die Casting	B85, A383	N/A, (BS Code LM 2)	1
64	Motor Housing	Stainless Steel	AISI 304	17440 X5 CrNi 18-9	1
65	Outer Cover	Stainless Steel	AISI 304	17440 X5 CrNi 18-9	1
68	Handle	ABS Resin			1