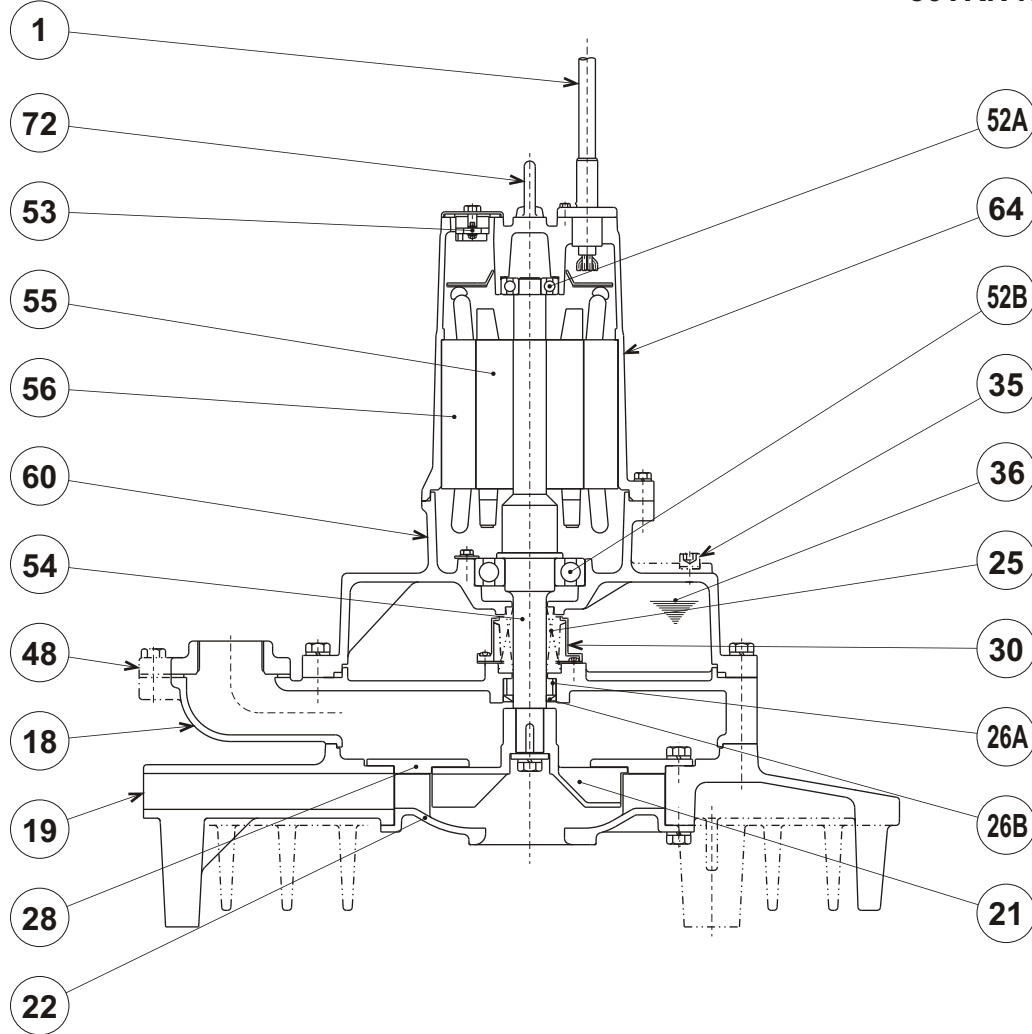




**TRN - SERIES
SUBMERSIBLE AERATOR**

SECTIONAL VIEW

50TRN43.7-62



| PART# | DESCRIPTION | MAIN MATERIAL / NOTE | ASTM, AISI CODE | RELATED DIN CODE | QTY |
|-------|------------------|------------------------------------|-----------------|------------------|-----|
| 1 | Power Cable | PVC Sheath AWG12/4- 32ft | | | 1 |
| 18 | Air Passage | Cast Iron | A48M Class30B | EN 1561 GJL-200 | 1 |
| 19 | Guide Vane | Cast Iron | A48M Class30B | EN 1561 GJL-200 | 1 |
| 21 | Impeller | Stainless Steel Casting | A743 CA-15 | X15Cr13 | 1 |
| 22 | Suction Cover | Stainless Steel Casting | A743 CA-15 | X15Cr13 | 1 |
| 25 | Mechanical Seal | Silicon Carbide / H-30A | | | 1 |
| 26A | Distance Piece | Steel Pipe | A53 Type F | DIN 1615 St 33 | 1 |
| 26B | Oil Seal | NBR / VC-30486 | | | 1 |
| 28 | Middle Plate | Stainless Steel | S 41000 | 1.4006 | 1 |
| 30 | Oil Lifter | PBT Plastic w/(GF+MD)40 | | | 1 |
| 35 | Oil Plug | Stainless Steel | S 30400 | 1.4301 | 2 |
| 36 | Lubricant | Turbine Oil ISO VG32 or SAE 10W-20 | | | |
| 48 | Companion Flange | Cast Iron / NPT 2" | A48M Class30B | EN 1561 GJL-200 | 1 |
| 52A | Upper Bearing | 6304ZZC3 | | | 1 |
| 52B | Lower Bearing | 6309ZZC3 | | | 1 |
| 53 | Motor Protector | | | | 1 |
| 54 | Shaft | Stainless Steel | S 42000 | 1.4028 | 1 |
| 55 | Rotor | | | | 1 |
| 56 | Stator | | | | 1 |
| 60 | Bearing Housing | Cast Iron | A48M Class25B | EN 1561 GJL-150 | 1 |
| 64 | Motor Housing | Cast Iron | A48M Class25B | EN 1561 GJL-150 | 1 |
| 72 | Lifting Lug Bolt | Stainless Steel | S 30400 | 1.4301 | 2 |