

# **GENERATOR**

## **PARTS CATALOG**

**MODEL : TPG4-4500HDX**

**3600VA 120/240V 60Hz**

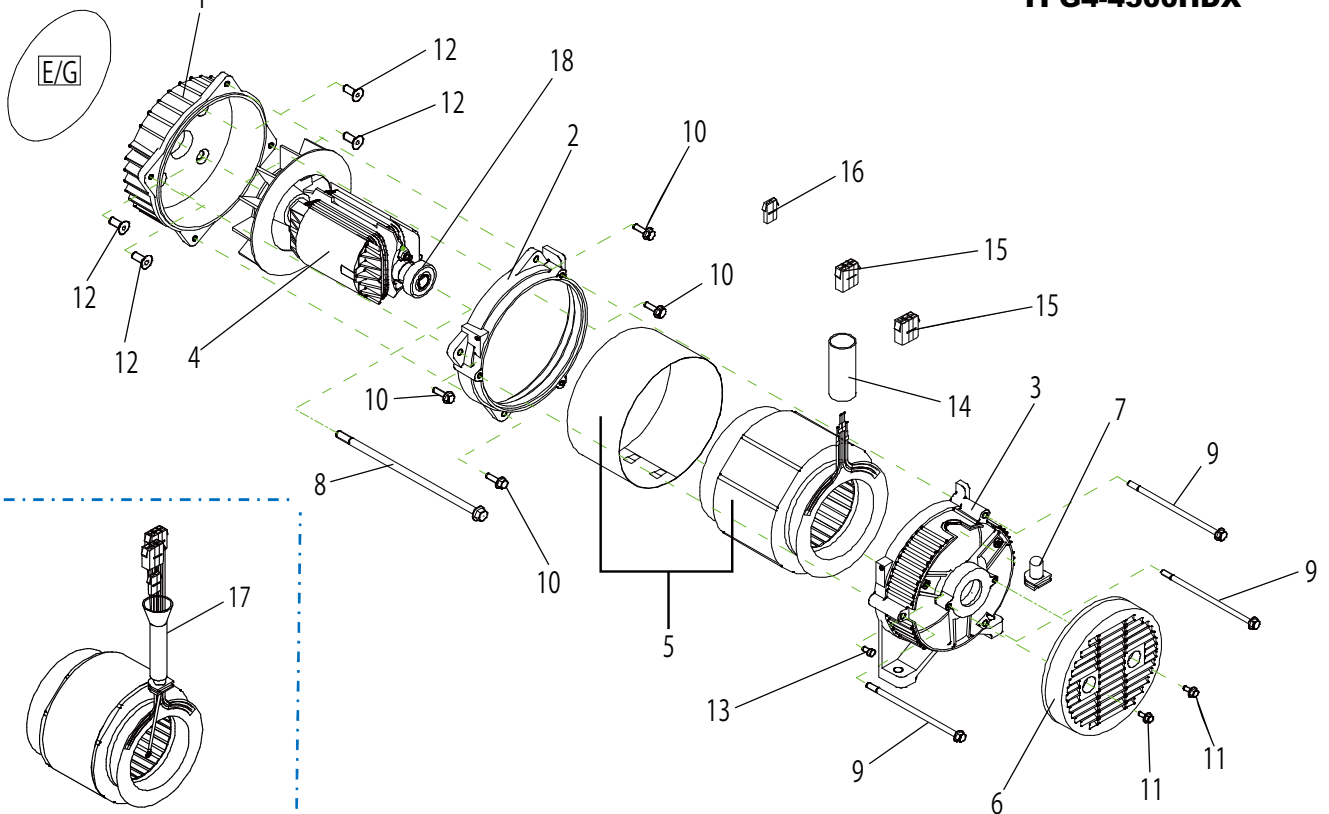


**Ver.10**

2021.8

No.2R-06491

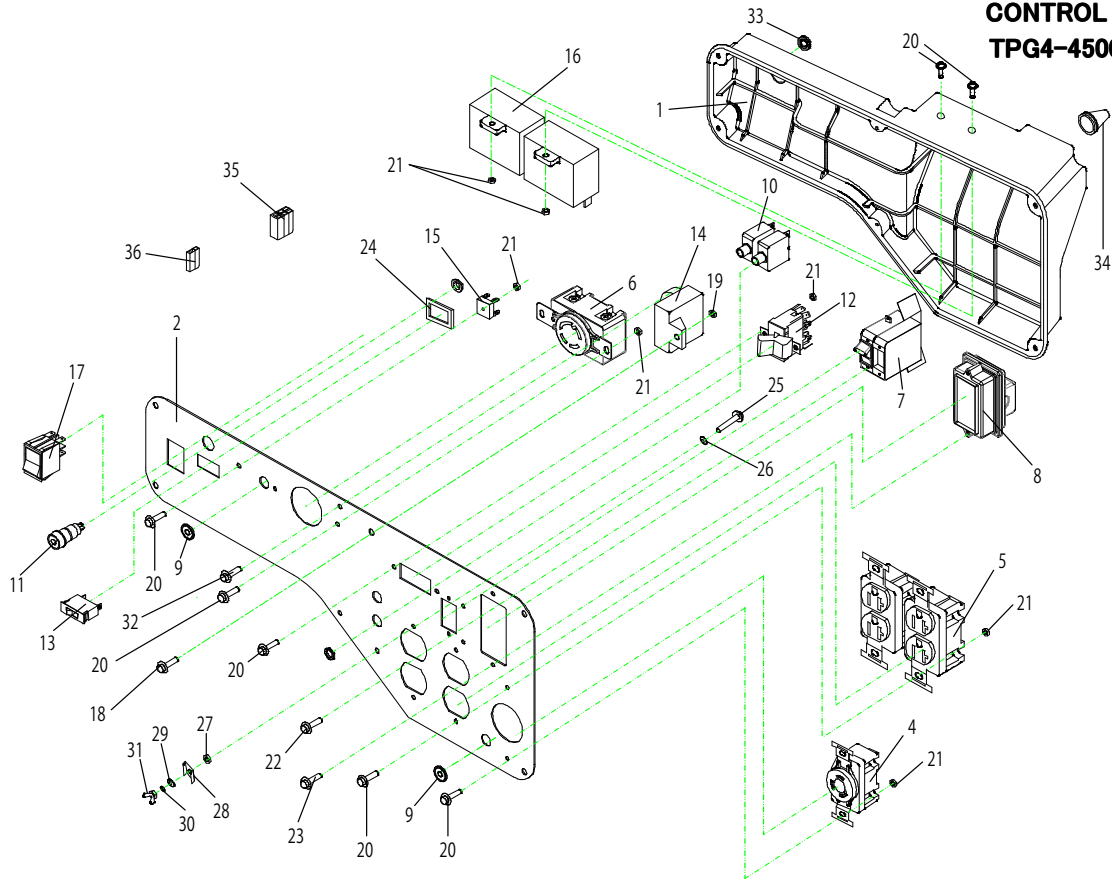
**ALTERNATOR  
TPG4-4500HDX**



No.2R-06491

| REF No. | Parts No.   | Parts name                          | Q'ty | Price | Remarks           |
|---------|-------------|-------------------------------------|------|-------|-------------------|
| 1       | 15311460000 | BRACKET (1)                         | 1    |       |                   |
| 2       | 15311462000 | N-BRACKET                           | 1    |       |                   |
| 3       | 15311461000 | BRACKET (2)                         | 1    |       |                   |
| 4       | 15200428000 | ROTOR ASSY                          | 1    |       | WITH BALL BEARING |
| 5       | 15250380000 | STATOR ASSY                         | 1    |       |                   |
| 6       | 15311471000 | COVER,BRACKET                       | 1    |       |                   |
| 7       | 15350583000 | RUBBER BUSH                         | 1    |       |                   |
| 8       | 15550154000 | HEX,BOLT W/FLANGE(M10x1.25-235)     | 1    |       |                   |
| 9       | 15550152000 | HEX,BOLT W/FLANGE(M6x1.0-150)       | 4    |       |                   |
| 10      | 15550476000 | HEX,BOLT W/FLANGE(M8x1.0-20)        | 4    |       |                   |
| 11      | 15550210000 | HEX,BOLT W/FLANGE(M5x0.8-12)        | 2    |       |                   |
| 12      | 15550248000 | FLAT HEAD BOLT W/SOCKET(M8x1.25-20) | 4    |       |                   |
| 13      | 19S00905007 | CROSS RECESSED HEAD SCREW(M5-7)     | 1    |       |                   |
| 14      | 15350107000 | TUBE,LEAD WIRE                      | 1    |       |                   |
| 15      | 15400156000 | CONNECTOR 6P                        | 2    |       |                   |
| 16      | 15400160000 | CONNECTOR 2P                        | 1    |       |                   |
| 17      | 15250380100 | STATOR COMP.                        | 1    |       |                   |
| 18      | 15311780100 | BALL BEARING                        | 1    |       | 6205ZZ-CM         |

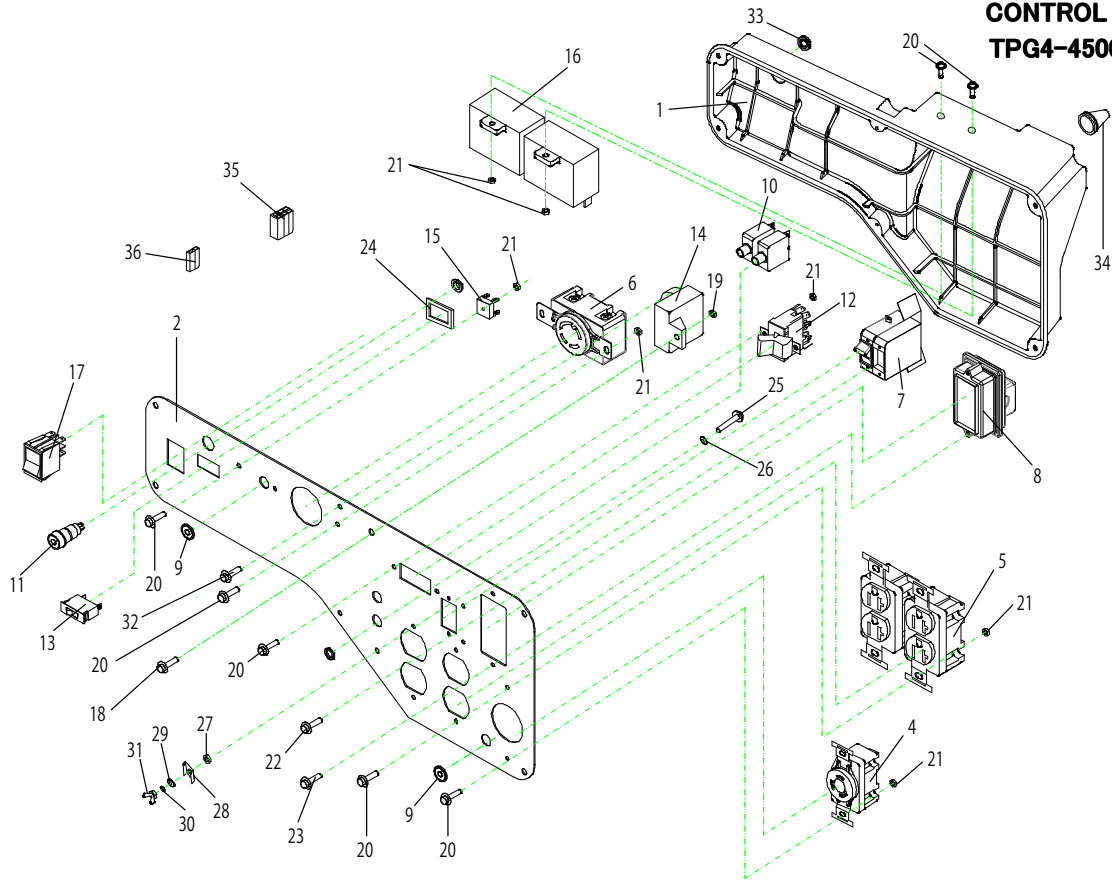
**CONTROL BOX  
TPG4-4500HDX**



No.2R-06491

| REF No. | Parts No.   | Parts name                                 | Q'ty | Price | Remarks |
|---------|-------------|--|------|-------|---------|
| 1       | 15350680000 | CONTROL BOX                                | 1    |       |         |
| 2       | 15601697000 | PANEL ASSY                                 | 1    |       |         |
| 3       |             |  |      |       |         |
| 4       | 15400105000 | RECEPTACLE 30A, 125V                       | 1    |       |         |
| 5       | 15400003000 | RECEPTACLE 20A, 125V                       | 2    |       |         |
| 6       | 15400106000 | RECEPTACLE 30A, 125/250V                   | 1    |       |         |
| 7       | 15400539000 | CURCUIT BREAKER 15A                        | 1    |       |         |
| 8       | 15400559000 | UNIT , GFCI                                | 1    |       |         |
| 9       | 15350337000 | GROMMET                                    | 2    |       |         |
| 10      | 15400171000 | CURCUIT BREAKER 20A                        | 2    |       |         |
| 11      | 85111573300 | NEON BRACKET , 125V                        | 1    |       |         |
| 12      | 15400143000 | SWITCH,VOLTAGE SELECTOR                    | 1    |       |         |
| 13      | 15400108000 | SWITCH,AUTO THROTTLE                       | 1    |       |         |
| 14      | 19600700660 | CONTROL UNIT,AUTO THROTTLE                 | 1    |       |         |
| 15      | 15400240000 | BRIDGE DIODE                               | 1    |       |         |
| 16      | 15400177000 | CONDENSOR ASSY,18 $\mu$ F                  | 2    |       |         |
| 17      | 15400253000 | ENGINE SWITCH                              | 1    |       |         |
| 18      | 19SF4906015 | CROSS RECESSED HEAD SCREW (M6-15)          | 1    |       |         |
| 19      | 19N10906000 | HEX,NUT W/FLANGE M6                        | 1    |       |         |
| 20      | 19SF4904014 | CROSS RECESSED HEAD SCREW (M4-14)          | 13   |       |         |
| 21      | 19N10904000 | HEX,NUT W/FLANGE M4                        | 13   |       |         |
| 22      | 19SF4903005 | CROSS RECESSED HEAD SCREW (M3-5)           | 4    |       |         |
| 23      | 19SF4903012 | CROSS RECESSED HEAD SCREW (M3-12)          | 2    |       |         |
| 24      | 15301082001 | SWITCH SPACER                              | 1    |       |         |
| 25      | 15550330000 | CROSS RECESSED HEAD SCREW (M5 $\times$ 25) | 1    |       |         |
| 26      | 15550331000 | TOOTH LOCK WASHER (M5)                     | 1    |       |         |
| 27      | 15550329000 | HEX,NUT W/FLANGE (M5)                      | 1    |       |         |
| 28      | 15301979000 | CAP WASHER (M5)                            | 1    |       |         |

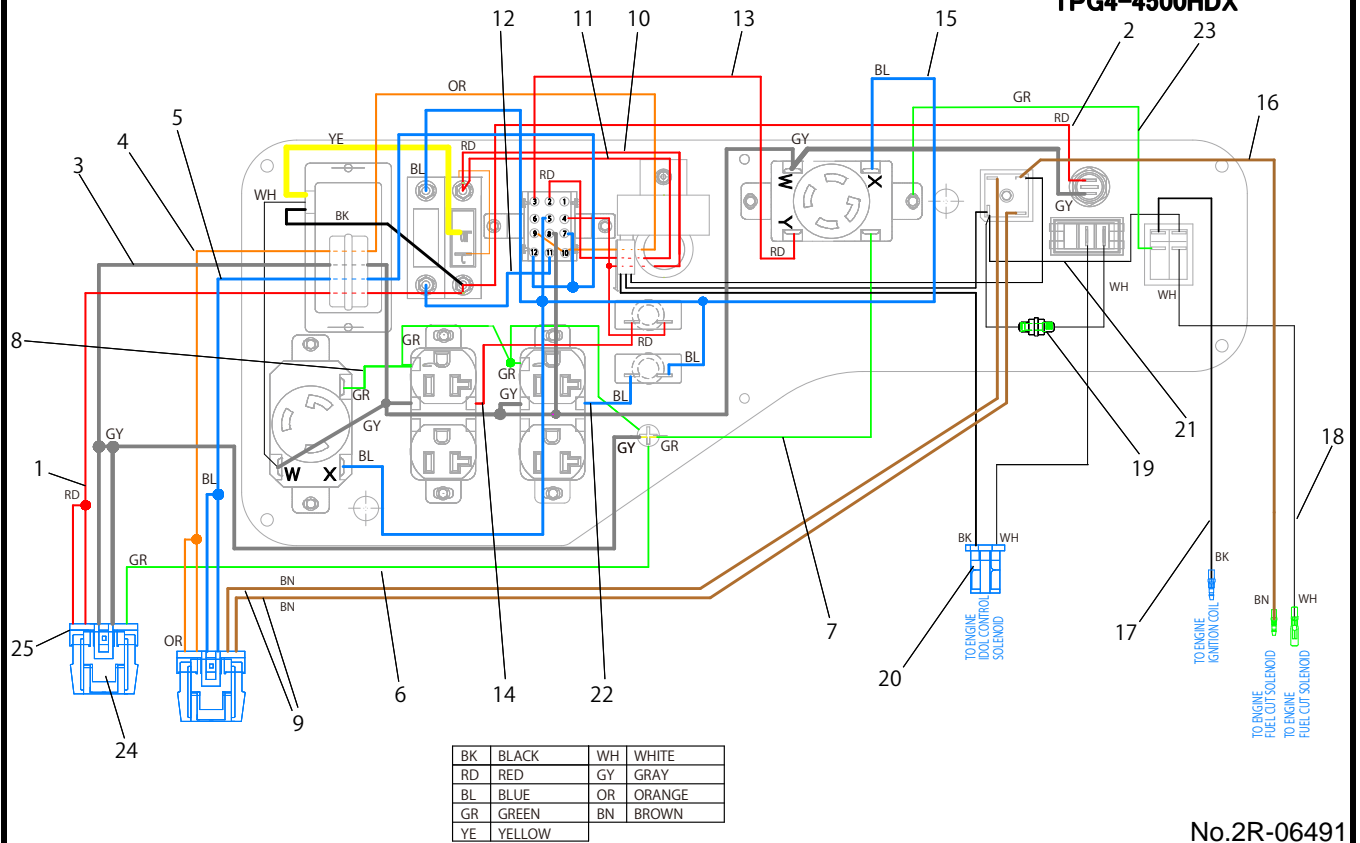
**CONTROL BOX  
TPG4-4500HDX**



No.2R-06491

| REF No. | Parts No.   | Parts name            | Q'ty | Price | Remarks |
|---------|-------------|-----------------------|------|-------|---------|
| 29      | 15550333000 | FLAT WASHER (M5)      | 1    |       |         |
| 30      | 15550334000 | LOCK WASHER (M5)      | 1    |       |         |
| 31      | 15550335000 | WING NUT (M5)         | 1    |       |         |
| 32      | 15550589000 | SCREW, SELF TAP M4-12 | 2    |       |         |
| 33      | 15350472000 | GROMMET               | 1    |       |         |
| 34      | 15321880130 | GROMMET PANEL LEAD #2 | 1    |       |         |
| 35      | 15400157000 | CONNECTOR 6P          | 2    |       |         |
| 36      | 15400161000 | CONNECTOR 2P          | 1    |       |         |

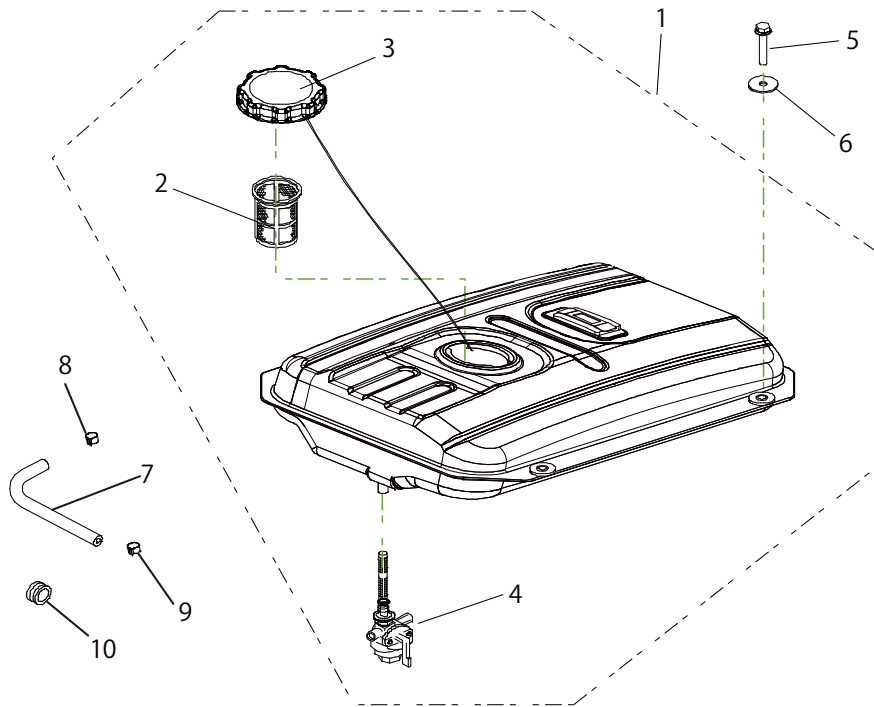
**CONTROL BOX  
TPG4-4500HDX**



No.2R-06491

| REF No. | Parts No.   | Parts name           | Q'ty | Price | Remarks |
|---------|-------------|----------------------|------|-------|---------|
| 1       | 15502519000 | HARNES RED           | 1    |       |         |
| 2       | 15502520000 | HARNES RED           | 1    |       |         |
| 3       | 15502523000 | HARNES GRAY          | 1    |       |         |
| 4       | 15502530000 | HARNES ORANGE        | 1    |       |         |
| 5       | 15502567000 | HARNES BLUE          | 1    |       |         |
| 6       | 15502526000 | HARNES GREEN         | 1    |       |         |
| 7       | 15502528000 | HARNES GREEN         | 1    |       |         |
| 8       | 15502529000 | HARNES GREEN         | 1    |       |         |
| 9       | 15502527000 | HARNES BROWN         | 2    |       |         |
| 10      | 15502566000 | HARNES RED           | 1    |       |         |
| 11      | 15502565000 | HARNES RED           | 1    |       |         |
| 12      | 15502563000 | HARNES BLUE          | 1    |       |         |
| 13      | 15502564000 | HARNES RED           | 1    |       |         |
| 14      | 15502532000 | HARNES RED           | 1    |       |         |
| 15      | 15502588000 | HARNES BLUE          | 1    |       |         |
| 16      | 15501169000 | HARNES BROWN         | 1    |       |         |
| 17      | 15501165000 | HARNES BLACK         | 1    |       |         |
| 18      | 15501166000 | HARNES WHITE         | 1    |       |         |
| 19      | 15501164000 | HARNES, FUSE         | 1    |       |         |
| 20      | 15502568000 | HARNES, IDLE CONTROL | 1    |       |         |
| 21      | 15502589000 | HARNES WHITE         | 1    |       |         |
| 22      | 15502620000 | HARNES BLUE          | 1    |       |         |
| 23      | 15502654000 | HARNES GREEN         | 1    |       |         |
| 24      | 15400157000 | CONNECTOR 6P         | 2    |       |         |
| 25      | 15400162000 | RETAINER             | 4    |       |         |

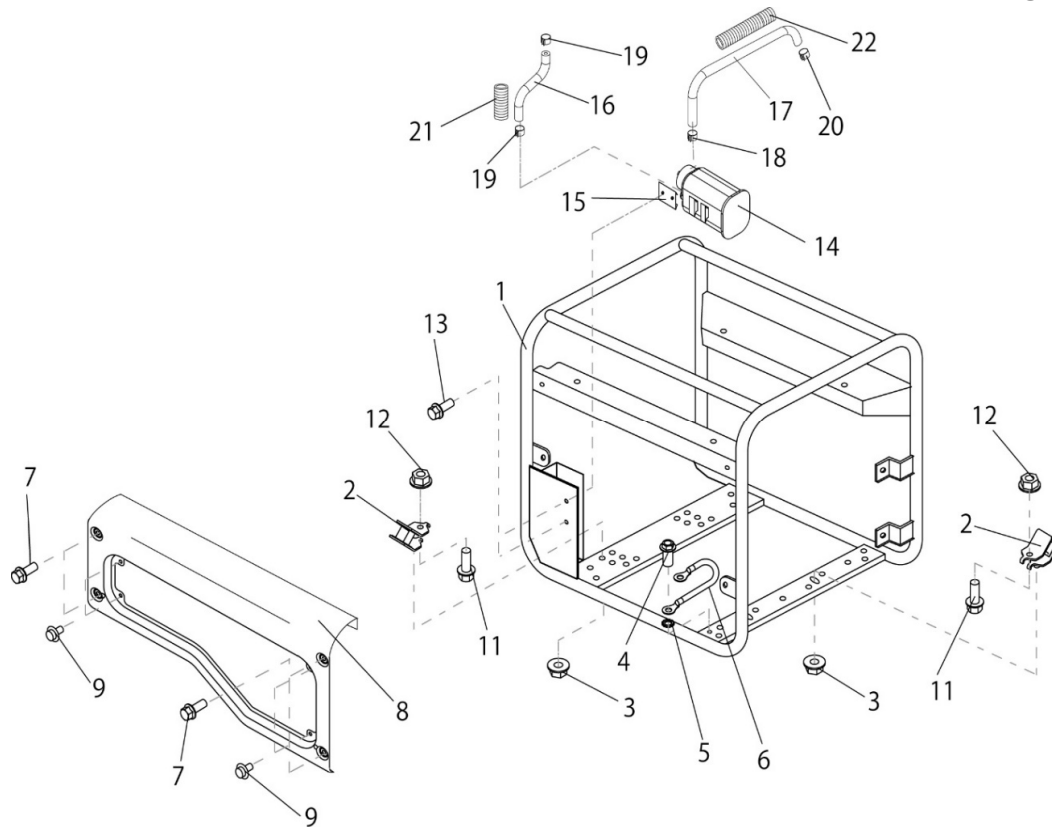
**FUEL TANK  
TPG4-4500HDX**



No.2R-06491

| REF No. | Parts No.   | Parts name                        | Q'ty | Price | Remarks                          |
|---------|-------------|-----------------------------------|------|-------|----------------------------------|
| 1       | 15601800200 | FUEL TANK (BLUE) COMP.            | 1    |       | WITH LABEL<br>※EXCEPT SPEC LABEL |
| 2       | 15350860000 | FILTER COMP., FUEL                | 1    |       |                                  |
| 3       | 15950267000 | CAP COMP., FUEL FILLER WITH CHAIN | 1    |       |                                  |
| 4       | 15150135010 | FUEL VALVE                        | 1    |       |                                  |
| 5       | 19B30906025 | HEX,BOLT W/FLANGE (M6×1.0-25)     | 4    |       |                                  |
| 6       | 19W00906025 | WASHER,TANK CUSHION (M6×25,1.6t)  | 4    |       |                                  |
| 7       |             | CRIP B8, TUBE                     | 1    |       | HONDA PART                       |
| 8       | 15301192000 | CRIP,TUBE                         | 1    |       |                                  |
| 9       | 15350694001 | TUBE,FUEL (210mm)                 | 1    |       |                                  |
| 10      |             | RUBBER,FUEL TUBE                  | 1    |       | HONDA PART                       |

**FRAME  
TPG4-4500HDX**



No.2R-06491

| REF No. | Parts No.   | Parts name                       | Q'ty | Price | Remarks     |
|---------|-------------|----------------------------------|------|-------|-------------|
| 1       | 15302009000 | FRAME                            | 1    |       |             |
| 2       | 200900520   | ANTI-VIBRATION RUBBER            | 4    |       |             |
| 3       | 203200100   | HEX,NUT W/FLANGE(M8X1.25)        | 4    |       |             |
| 4       | 15550251000 | HEX, BOLT W/FLANGE (M6x12)       | 1    |       |             |
| 5       | 19W50906000 | TOOTH LOCK WASHER(M6)            | 1    |       |             |
| 6       | 15501130000 | BONDING WIRE                     | 1    |       |             |
| 7       | 15550264000 | BOLT, M6-16                      | 6    |       |             |
| 10      | 15601798000 | CASE, CONTROL ASSY (BLUE)        | 1    |       | WITH RUBBER |
| 9       | 15550438000 | CROSS RECESSED HEAD SCREW(M6-15) | 4    |       |             |
| 10      |             |                                  |      |       |             |
| 11      | 203000721   | HEX, BOLT W/FLANGE (M10x45)      | 4    |       |             |
| 12      | 203200021   | HEX,NUT W/FLANGE(M10X1.25)       | 4    |       |             |
| 13      | 15550441000 | BOLT, M6-12                      | 2    |       |             |
| 14      | 15950138001 | CARBON CANISTER (Q-18-16)        | 1    |       |             |
| 15      | 15950141000 | STAY , CARBON CANISTER           | 1    |       |             |
| 16      | 15350676001 | TUBE , SURGE                     | 1    |       |             |
| 17      | 15350678001 | TUBE , PURGE                     | 1    |       |             |
| 18      | 15302061000 | CRIP , φ11.6                     | 1    |       |             |
| 19      | 15302060000 | CRIP , φ10.0                     | 2    |       |             |
| 20      | 15302063000 | CRIP , φ14.8                     | 1    |       |             |
| 21      | 15350701000 | TUBE , CORRUGATE (320mm)         | 1    |       |             |
| 22      | 15350700000 | TUBE , CORRUGATE (800mm)         | 1    |       |             |