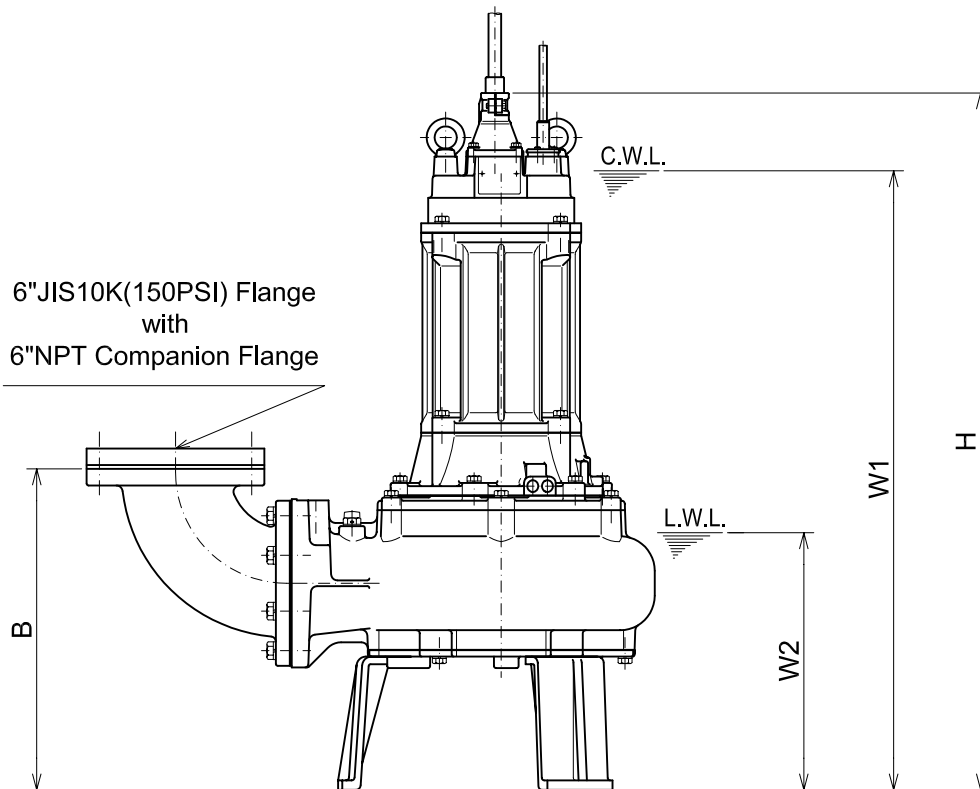
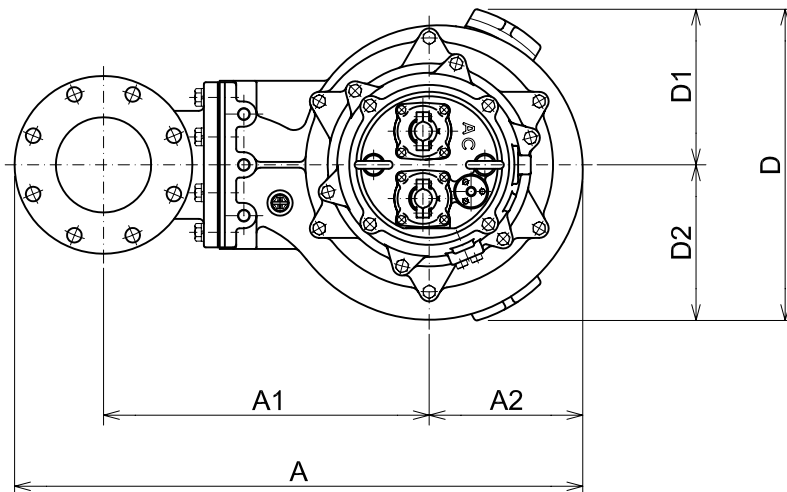




B-SERIES
SEWAGE & WASTEWATER PUMPS

DIMENSIONS

150B411 -63



6"JIS10K(150PSI) Flange with 6"NPT Companion Flange

C.W.L. :Continuous running Water Level
L.W.L. :Lowest running Water Level

DIMENSIONS:USCS(Inch)

Model	HP	NOM. SIZE	Pump & Motor								C.W.L.	L.W.L.	Wt. (lbs.)
			A	A1	A2	B	D	D1	D2	H			
150B411 -63	15	6"	35 1/4	20 3/16	9 1/2	19 15/16	19 5/16	9 5/8	9 5/8	43 1/4	38 3/8	16	550

DIMENSIONS:METRIC(mm)

Model	kW	NOM. SIZE	Pump & Motor								C.W.L.	L.W.L.	Wt. (kg)
			A	A1	A2	B	D	D1	D2	H			
150B411 -63	11	150	895	513	242	506	490	245	245	1098	975	405	250