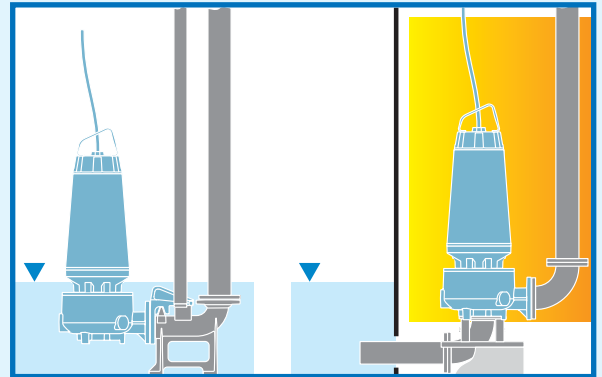
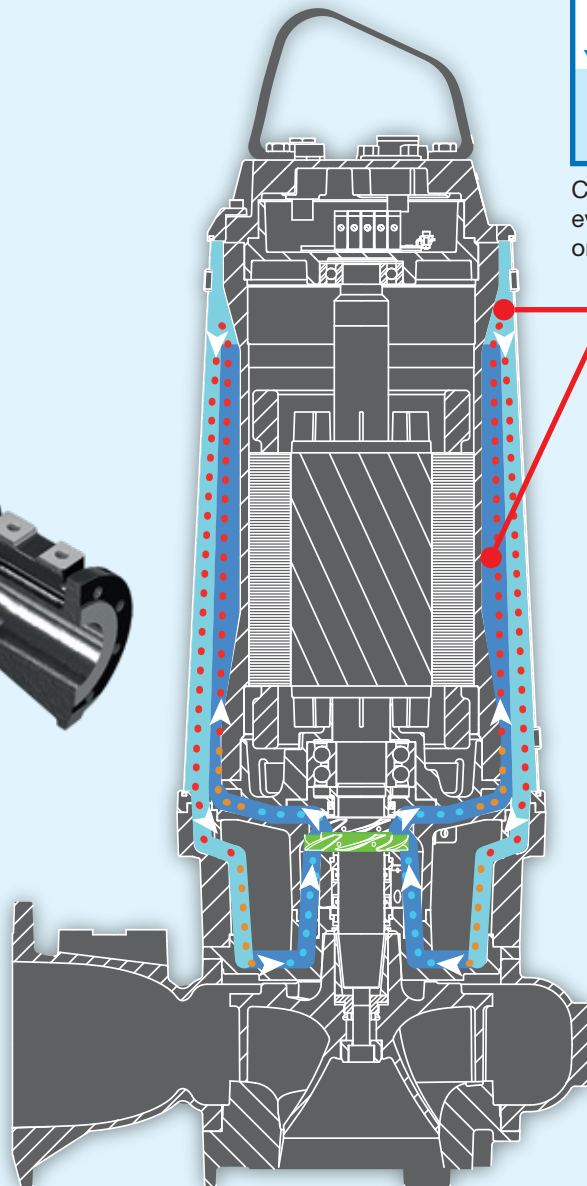
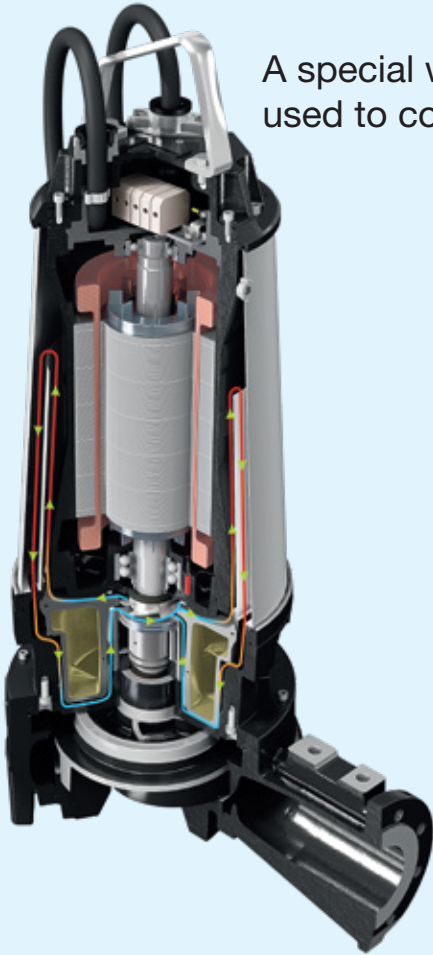


CLOSED CIRCUIT COOLING SYSTEM

A special water glycol mix is used to cool down the motor.



Continuous operation of the pump (S1 duty) is ensured even in dry and partially submerged working conditions or in high temperature locations.



Stainless steel double jacket system increases the speed and efficiency of cooling the glycol mix



The closed loop system will work in both the vertical and horizontal configuration

High efficiency axial impeller separated from the oil chamber

