

KTV(E) SERIES | Lightweight, compact, durable & self-contained automatic operation



KTV2-55



KTVE33.0

Built-in Automatic Operation KTVE:

Allows a three phase pump to operate automatically in a smaller casing or sump where traditional float switches don't fit.

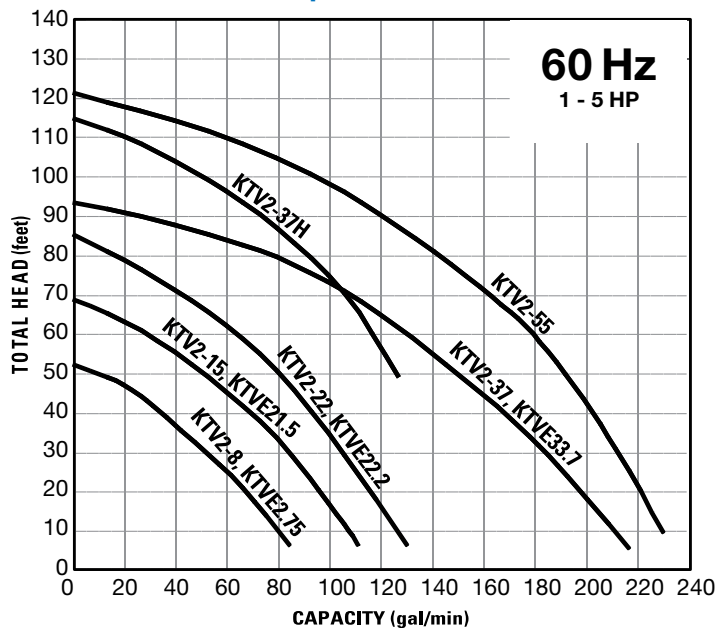
Material

Impeller:	Abrasion Resistant / Urethane Lined
Casing:	Aluminum
Mechanical Seal:	Silicon Carbide
Motor Frame:	Aluminum Alloy
Shaft:	403 / 420 Stainless Steel
Fasteners:	304 Stainless Steel
Cable:	PVC Sheath, Chloroprene Sheath

Features

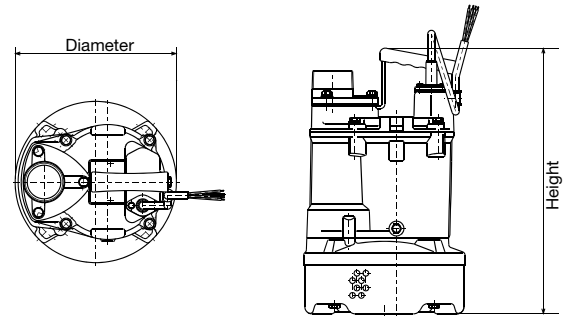
- Lightweight, Compact Size
- Long Life and Low Maintenance
- Anti-Wicking Cable Entrance
- Dual Silicon Carbide Mechanical Seals
- Oil Lifter
- Internal Thermal Motor Protection
- Automatic Operation on KTVE Series
- Slimline design for well dewatering

Group Performance



KTV series was developed with a die cast aluminum body and elastomer pump end to reduce weight and allow easy handling. The semi-vortex impeller allows for maximum particle passage size while offering increased parts life. In addition, the need for impeller efficiency adjustments has been completely eliminated.

KTVE series offers the same features as the KTV series with the added benefit of an integrally mounted electrode probe for turning the pump on and off automatically. Unnecessary dry-run is prevented to save energy and reduce wear without the need for auto control panels and cumbersome float assemblies. The pump installs and handles like a standard pump yet operates automatically by simply connecting to a manual control panel.



: Slimline Pumps - Pump diameter less than 15"

MODEL	MOTOR SPECIFICATIONS					Discharge Size (inch)	DIMENSIONS		Max. Solids Dia. (inch)	Continuous Running Water Level (in.)	Pump Weight (lbs.)	
	Output (HP)	Rated Current (A)					RPM	Diameter				Height
		208V	230V	460V	575V							
KTV2-8	1	3.4	3.2	1.6	1.3	3320	2	7 7/8	14 1/2	0.334	2 1/2	25
KTV2-15	2	6.0	5.4	2.7	2.1	3440	2	9 7/16	5 9/16	0.334	3 1/8	46
KTV2-22	3	8.2	7.4	3.7	2.9	3440	2	9 7/16	16 3/8	0.334	3 1/8	51
KTV2-37H	5	14.2	12.6	6.3	5.0	3450	2	11 1/4	20 1/16	0.334	3 1/2	79
KTV2-37	5	14.2	12.6	6.3	5.0	3450	3	11 1/4	20 1/16	0.334	3 1/2	79
KTV2-55	7.5	21.5	19	9.5	7.5	3435	3	11 13/16	21 7/16	0.334	3 1/2	104

MODEL	MOTOR SPECIFICATIONS					Discharge Size (inch)	DIMENSIONS		Max. Solids Dia. (inch)	Pump Starting Water Level (in.)	Pump Weight (lbs.)	
	Output (HP)	Rated Current (A)					RPM	Diameter				Height
		208V	230V	460V	575V							
KTVE2.75	1	3.4	3.2	1.7	1.3	3320	2	7 7/8	16 7/16	0.334	9 1/4	28
KTVE21.5	2	6.0	5.4	2.7	2.1	3440	2	9 7/16	16 3/4	0.334	10 1/2	48
KTVE22.2	3	8.2	7.4	3.7	2.9	3440	2	9 7/16	16 3/4	0.334	10 1/2	55
KTVE33.7	5	14.2	12.6	6.3	5.0	3450	3	11 1/4	23 1/16	0.334	12 7/8	88