

*High volume, high head performance for mining & large scale tunneling work*



*Submersible High Volume and High Head Drainage Pumps*

**LH-D** SERIES

**LH10110D: 150HP**

**LH12185D: 250HP**

The **LH-D Series** are submersible pumps with 2-pole / 150-250HP motors, on which a double suction impeller is mounted to deliver assured performance in high volume, high head applications. These pumps were developed based on Tsurumi's LH Series that has built a long-standing name and reputation as a quality line of submersible high head drainage pumps in the mining and construction fields. With a maximum capacity of 3,700GPM and maximum head of 310ft., the LH10110D and LH12185D meet the needs of open-pit / underground mining, heap leaching and large-scale tunneling work.

The biggest feature of these pumps is that they powerfully draw large volume of water from both upper and lower sides of the double suction impeller. This reduces thrust load, which extends the service-life of bearings and increases the stability of pumping operations. Moreover, in order to stand up to harsh conditions of use, the impeller and suction mouth are made of wear-resistant high-chromium cast iron.



# Features

## 1 Anti-wicking Cable Entry and Inspection Window

The anti-wicking cable prevents water incursion due to capillary action should the cable sheath be damaged or the end of cable submerged. The pump is additionally equipped with an inspection window at the bottom of the stuffing box that facilitates cable maintenance.

## 2 Dual Inside Mechanical Seals with Silicon Carbide Faces

Isolated in the oil chamber where a clean, non-corrosive and abrasion-free lubricating environment is maintained. The silicon carbide boards on the seal faces provide 5 times higher corrosion, wear and heat resistance than the tungsten carbide.

## 3 Oil Lifter

Provides lubrication and cooling of the seal faces down to 1/3 of normal oil level, thus maintaining a stable shaft sealing effect and prolonging seal life longer. The Oil Lifter is Tsurumi original design.

## 4 Leakage Sensors (Electrode and Float Type)

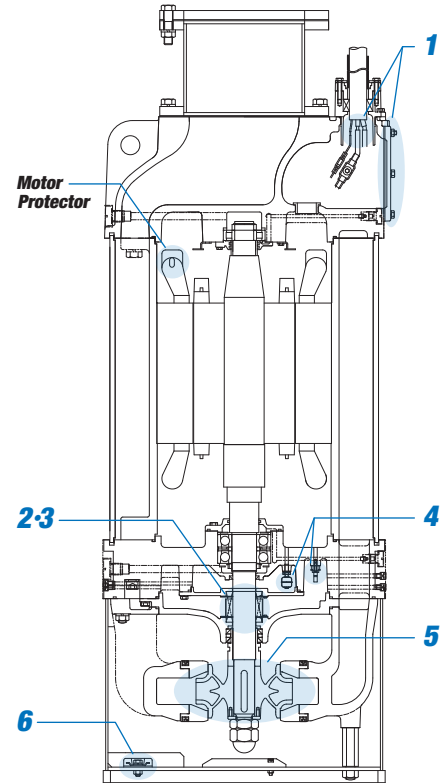
Detects flooding into the incursion water storage chamber and oil chamber that may occur in a worst case scenario. When flooding is detected, signals are sent to operate the indicator lamps through the external control panel.

## 5 Double Suction Impeller

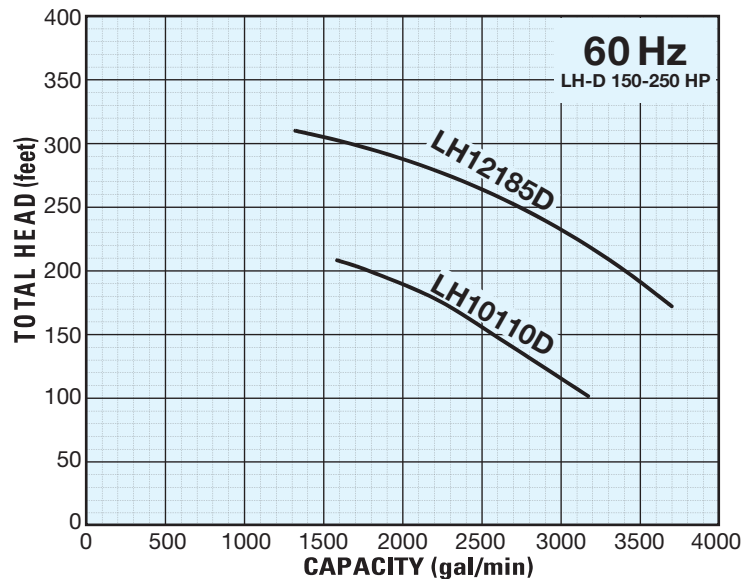
With its high efficiency suction mechanism, the double suction impeller enables higher volume performance. It also reduces the thrust load, which extends the service-life of bearings and increases the stability of pumping operations.

## 6 Galvanic Anodes

Protect the pump against corrosive potential generated during the drainage of wastewater.



# Performance Curves



# Model Selection

Discharge Size inch	Model	Motor Output HP	Phase	Pole	Starting Method	Solids Passage inch	Dimensions L x W x H inch	Pump Dry Weight without cable lbs	Cable Length ft
10	LH10110D	150	Three	2-pole	Star-Delta	0.787	27.5 x 27.3 x 73	3196	65
12	LH12185D	250	Three	2-pole	Star-Delta	0.787	30.4 x 29.3 x 79	4299	65

Product images and specifications may differ from actual products due to improvements



**TSURUMI (AMERICA), INC.**  
 Headquarters: 1625 Fullerton Ct, Glendale Heights, IL 60139  
 Utah Office: 3822 West 1987 South, Salt Lake City, UT 84104  
 Tel: 1-888-878-7864 (Toll-Free) • 1-630-793-0127  
 Fax: 1-630-793-0146 • [www.tsurumipump.com](http://www.tsurumipump.com)



Find us @tsurumiamerica

B03\_TAI-LH-D\_022022