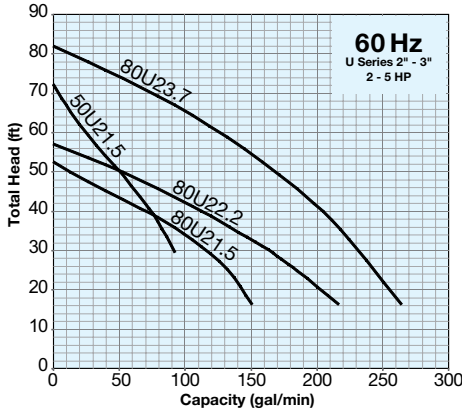


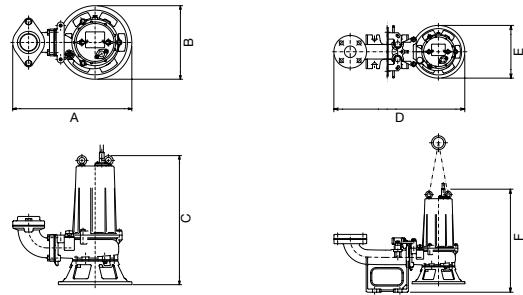
U SERIES | Semi-Vortex Cast Iron Impeller

Tsurumi's U Series pumps provide exceptional capabilities for those small to mid-range applications in which solids and stringy materials can be problematic.



U Series pump with elbow

Dimension: Free Standing A / B / C Dimension: Guide Rail Fitting (TO / TOS) D / E / F

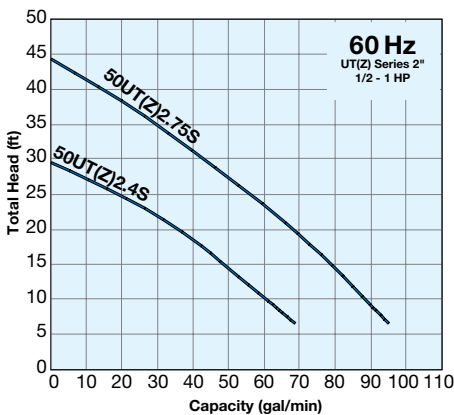


| Three Phase Model | Motor Output (HP) | Rated Current (A) | | | | *S.S. (RPM) | Discharge Size (in.) | Dimensions (in.) | | | | | | Max. Solids Dia. (in.) |
|-------------------|-------------------|-------------------|------|------|------|-------------|----------------------|----------------------|---------|--------|-----------------------|---------|----------|------------------------|
| | | 208V | 230V | 460V | 575V | | | Free Standing Models | | | TOS Guide Rail Models | | | |
| | | | | | | | | A | B | C | D | E | F | |
| 50U21.5 | 2 | 6.2 | 5.9 | 3.1 | 2.3 | 3600 | 2 | 11 11/16 | 7 15/16 | 18 3/8 | 25 7/8 | 7 15/16 | 18 13/16 | 1.38 |
| 80U21.5 | 2 | 6.2 | 5.9 | 3.1 | 2.3 | 3600 | 3 | 16 9/16 | 7 15/16 | 19 5/8 | 24 1/8 | 7 15/16 | 23 11/16 | 1.81 |
| 80U22.2 | 3 | 9.4 | 8.8 | 4.4 | 3.5 | 3600 | 3 | 20 1/29 | 9 7/16 | 22 1/8 | 25 1/4 | 9 7/16 | 25 1/2 | 2.20 |
| 80U23.7 | 5 | 14.4 | 13.6 | 6.8 | 5.3 | 3600 | 3 | 20 1/29 | 9 3/16 | 22 1/4 | 25 1/4 | 9 3/16 | 25 9/16 | 1.81 |

* Synchronous Speed

UT • UTZ SERIES | Single Phase Cast Iron Submersible Sewage Pump

The UT pump is a compact economical cast iron pump, which has a large passage that makes it ideal for liquid containing various solids. Available in automatic operation (50UTZ2.4S / 2.75S), which are equipped with floats.



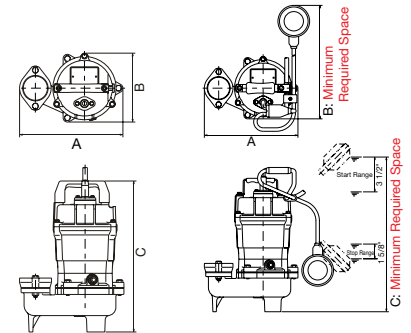
50UT2.4S



50UTZ2.4S

Dimension: 50UT2.4S/2.75S

Dimension: 50UTZ2.4S/2.75S



| Single Phase Model | Motor Output (HP) | Rated Current (A) | | *S.S. (RPM) | Discharge Size (in.) | Dimensions (in.) | | | Max. Solids Dia. (in.) |
|--------------------|-------------------|-------------------|------|-------------|----------------------|----------------------|----------------------|----------------------|------------------------|
| | | 115V | 230V | | | Free Standing Models | | | |
| | | | | | | A | B | C | |
| 50UT2.4S | 1/2 | 5.7 | 3.4 | 3600 | 2 | 9 1/2 | 6 3/8 | 13 3/4 | 1.40 |
| 50UTZ2.4S | 1/2 | 5.7 | 3.4 | 3600 | 2 | 9 1/2 | 11 5/8 ^{**} | 15 3/4 ^{**} | 1.40 |
| 50UT2.75S | 1 | 9.9 | 5.2 | 3600 | 2 | 9 1/2 | 6 3/8 | 16 | 1.40 |
| 50UTZ2.75S | 1 | 9.9 | 5.2 | 3600 | 2 | 9 1/2 | 11 5/8 ^{**} | 18 ^{**} | 1.40 |

(Suffix Z: Automatic Operation)

* Synchronous Speed

^{**}: Minimum Required Space