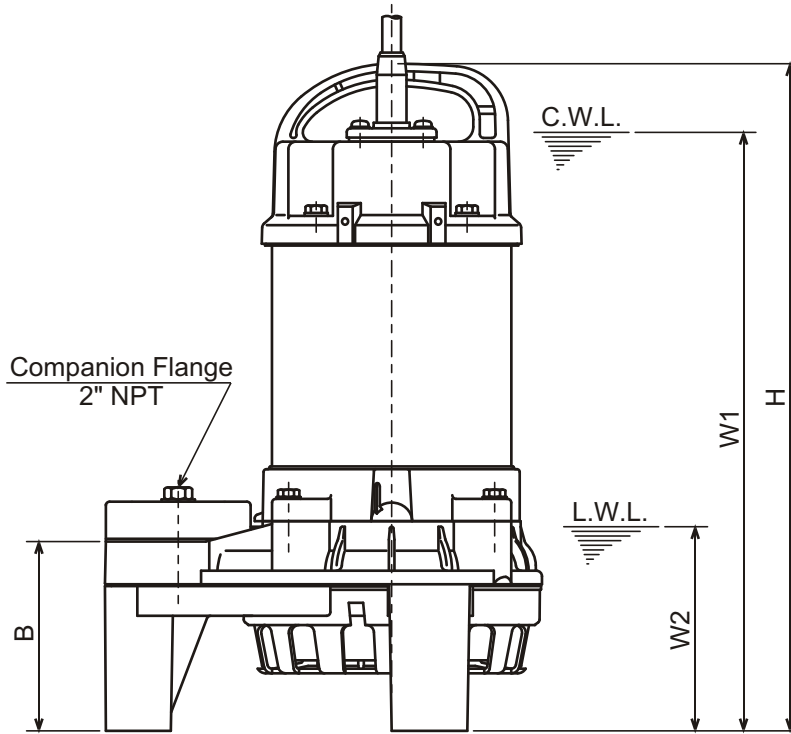
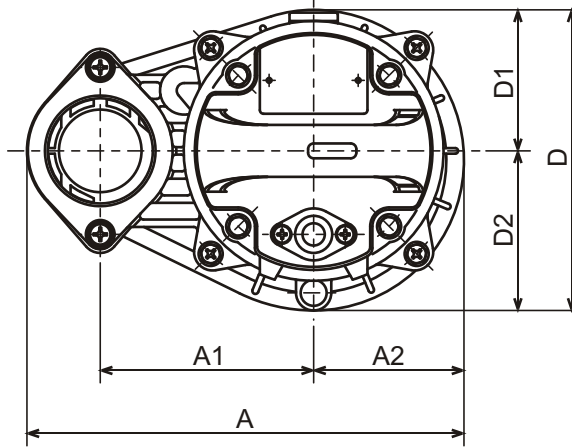




VANCS-SERIES - PU
(FRP) SEMI-VORTEX - WATER FEATURE PUMPS

DIMENSIONS

3PN
4PN
8PN



C.W.L. :Continuous running Water Level
 L.W.L. :Lowest running Water Level

DIMENSIONS:USCS (Inch)

Model	HP	NOM. SIZE	Pump & Motor								C.W.L. W1	L.W.L. W2	Wt. (lbs.)
			A	A1	A2	B	D	D1	D2	H			
3PN	1/3	2"	9 5/16	4 1/2	3 3/16	4	6 3/8	3	3 3/8	14 3/16	12 3/4	4 3/8	15.6
4PN	1/2	2"	9 5/16	4 1/2	3 3/16	4	6 3/8	3	3 3/8	14 3/16	12 3/4	4 3/8	15.6
8PN	1	2"	9 5/16	4 1/2	3 3/16	4	6 3/8	3	3 3/8	14 15/16	13 5/8	4 3/8	19.6

DIMENSIONS:METRIC (mm)

Model	kW	NOM. SIZE	Pump & Motor								C.W.L. W1	L.W.L. W2	Wt. (kg)
			A	A1	A2	B	D	D1	D2	H			
3PN	0.25	50	236	115	81	102	162	76	86	360	325	110	7.1
4PN	0.40	50	236	115	81	102	162	76	86	360	325	110	7.1
8PN	0.75	50	236	115	81	102	162	76	86	380	345	110	8.9