



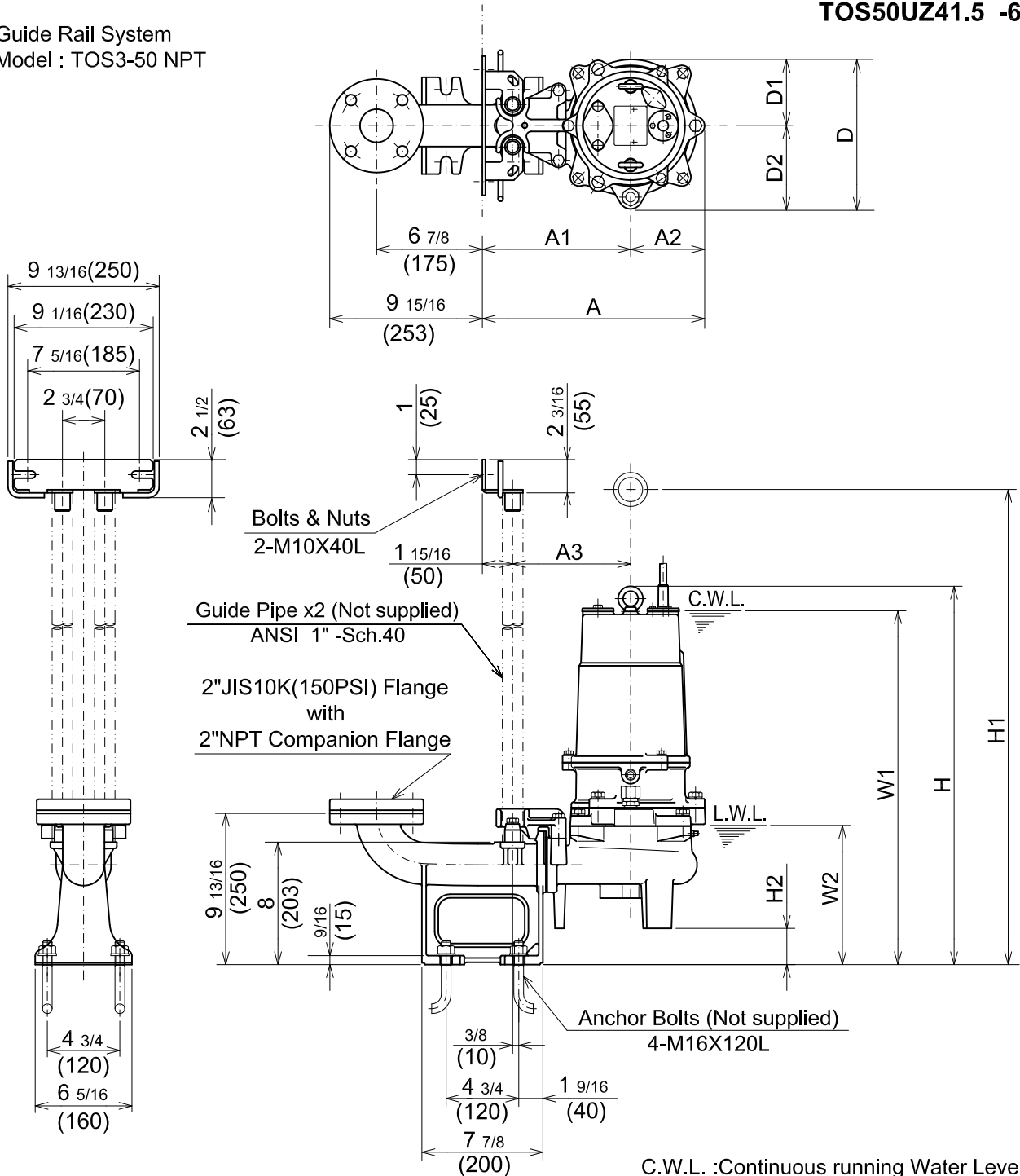
**TSURUMI PUMP**

**UZ-SERIES**  
**VORTEX - SEWAGE & WASTEWATER PUMPS**

**DIMENSIONS**

Guide Rail System  
Model : TOS3-50 NPT

**TOS50UZ41.5 -61**



C.W.L. :Continuous running Water Level  
L.W.L. :Lowest running Water Level

**DIMENSIONS:USCS(Inch)**

Model	HP	NOM. SIZE	Pump & Motor									C.W.L.	L.W.L.	*Wt. (lbs.)	
			A	A1	A2	A3	D	D1	D2	H	H1				H2
TOS50UZ41.5 -61	2	2"	14 1/2	9 5/8	4 13/16	7 11/16	9 3/4	4 5/16	5 7/16	24 5/8	29 7/16	2 3/8	23	9	110

**DIMENSIONS:METRIC(mm)**

Model	kW	NOM. SIZE	Pump & Motor									C.W.L.	L.W.L.	*Wt. (kg)	
			A	A1	A2	A3	D	D1	D2	H	H1				H2
TOS50UZ41.5 -61	1.5	50	368	245	123	195	248	110	138	626	747	60	585	230	50

\*Excluding Cable & TOS