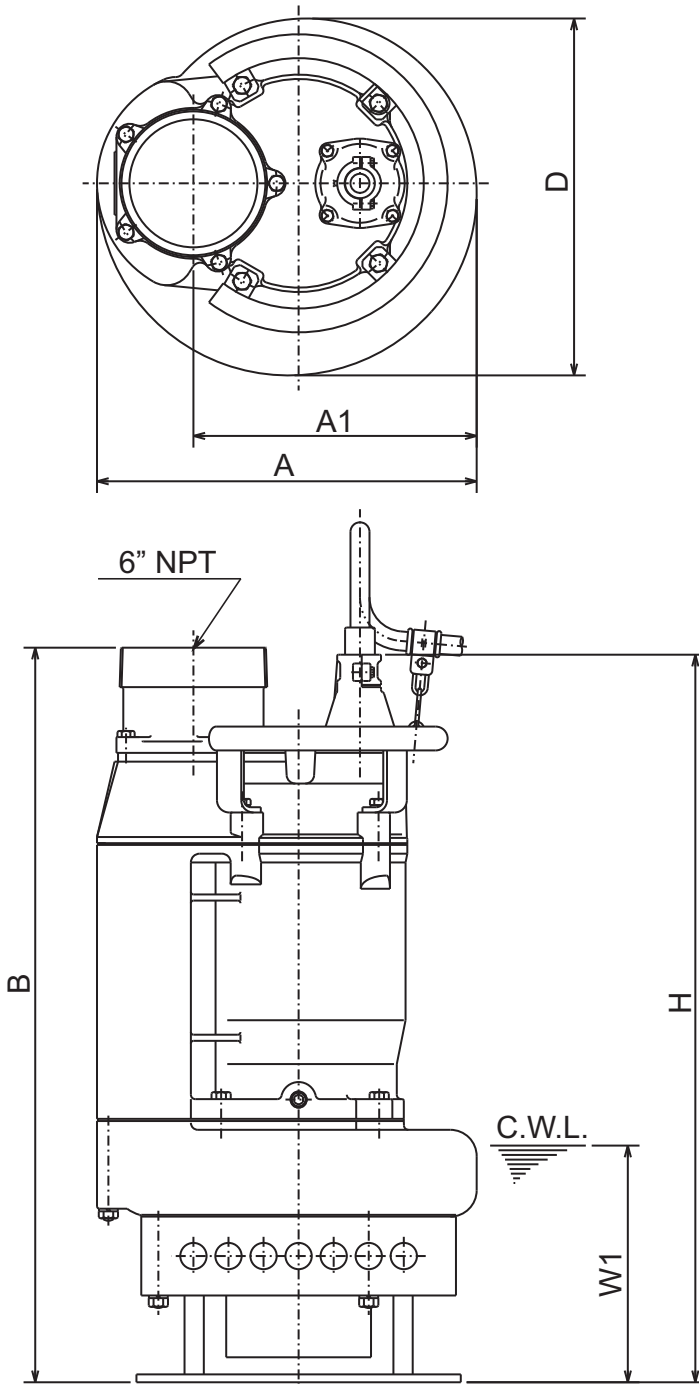




**KRS - SERIES (SAND)
HIGH VOLUME - AGITATOR PUMPS**

DIMENSIONS

KRS2-150



C.W.L. : Continuous running Water Level

DIMENSIONS:USCS (Inch)

Model	HP	NOM. SIZE	Pump & Motor					C.W.L.	Wt. (lbs.)
			A	A1	B	D	H	W1	
KRS2-150	12	6"	16 3/8	12	33	14 3/4	32 11/16	10 5/8	357

DIMENSIONS:METRIC (mm)

Model	kW	NOM. SIZE	Pump & Motor					C.W.L.	Wt. (kg)
			A	A1	B	D	H	W1	
KRS2-150	9.0	150	415	305	838	374	830	270	162