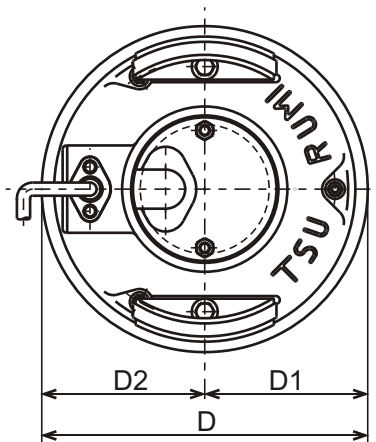


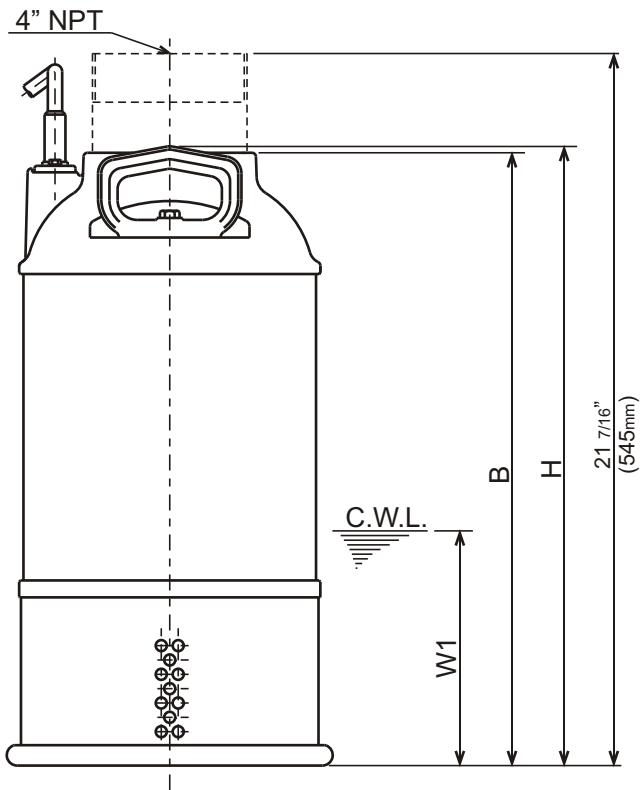


AB - SERIES
PROPELLER TYPE - DEWATERING PUMPS

DIMENSIONS



100AB2.4S-61
100AB2.4-61
100AB2.75-61



C.W.L. : Continuous running Water Level

DIMENSIONS:USCS (Inch)

Model	HP	NOM. SIZE	Pump & Motor					C.W.L.	Wt. (lbs.)
			D	D1	D2	B	H	W1	
100AB2.4S-61	1/2	4"	9 13/16	4 15/16	4 15/16	18 4/8	18 11/16	7 1/8	40
100AB2.4-61	1/2	4"	9 13/16	4 15/16	4 15/16	18 4/8	18 11/16	7 1/8	40
100AB2.75-61	1	4"	9 13/16	4 15/16	4 15/16	18 4/8	18 11/16	7 1/8	42

DIMENSIONS:METRIC (mm)

Model	kW	NOM. SIZE	Pump & Motor					C.W.L.	Wt. (kg)
			D	D1	D2	B	H	W1	
100AB2.4S-61	0.4	100	250	125	125	470	475	180	18
100AB2.4-61	0.4	100	250	125	125	470	475	180	18
100AB2.75-61	0.75	100	250	125	125	470	475	180	19