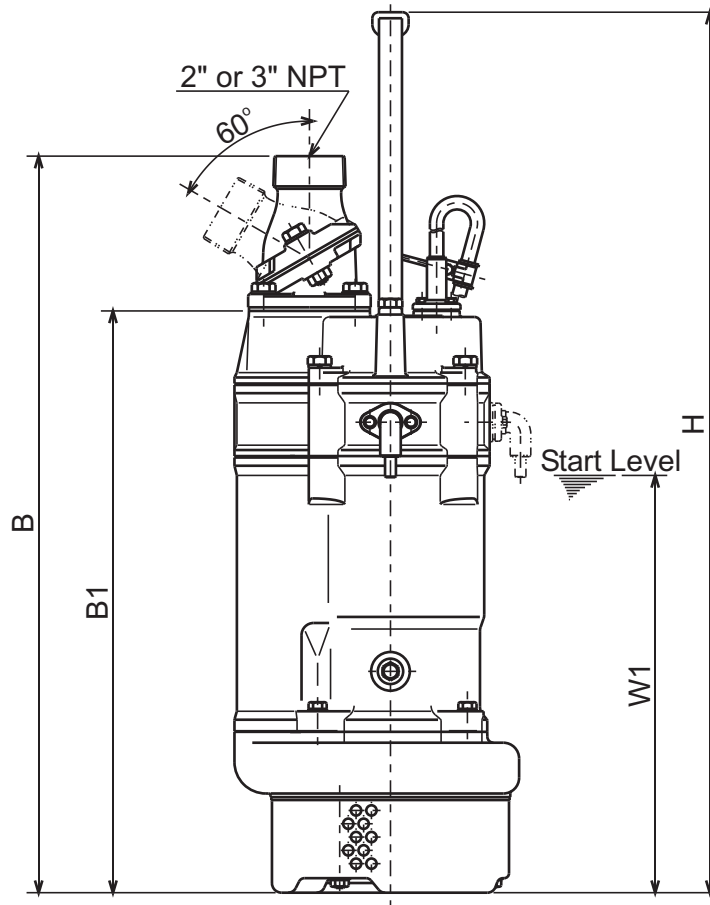
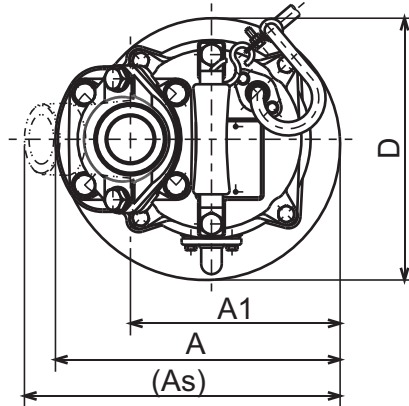




**KTZE - SERIES**  
**DEWATERING PUMPS (AUTO TYPE)**

**DIMENSIONS**

**KTZE21.5-61**  
**KTZE31.5-61**



**DIMENSIONS:USCS (Inch)**

Model	HP	NOM. SIZE	Pump & Motor							Start	Wt.
			A	As	A1	B	B1	D	H	W1	(lbs.)
KTZE21.5-61	2	2"	9 1/4	10 1/4	6 13/16	24	18 15/16	8 1/2	28 11/16	13 5/8	81
KTZE31.5-61	2	3"	9 1/4	10 9/16	6 13/16	24	18 15/16	8 1/2	28 11/16	13 5/8	79

**DIMENSIONS:METRIC (mm)**

Model	kW	NOM. SIZE	Pump & Motor							Start	Wt.
			A	As	A1	B	B1	D	H	W1	(kg)
KTZE21.5-61	1.5	50	235	261	173	609	481	216	728	345	37
KTZE31.5-61	1.5	80	235	268	173	609	481	216	728	345	36