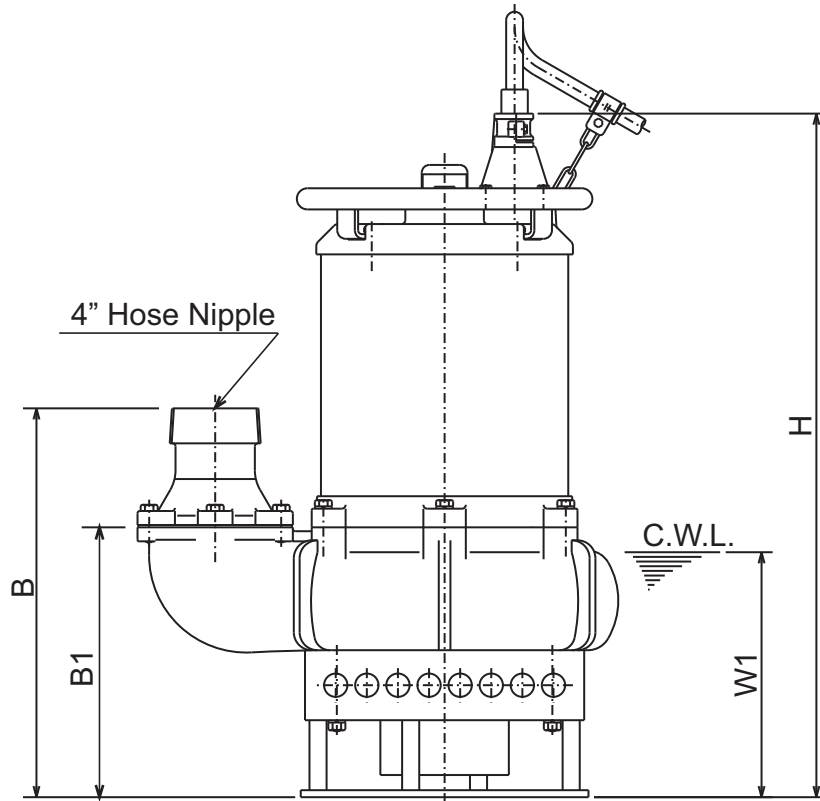
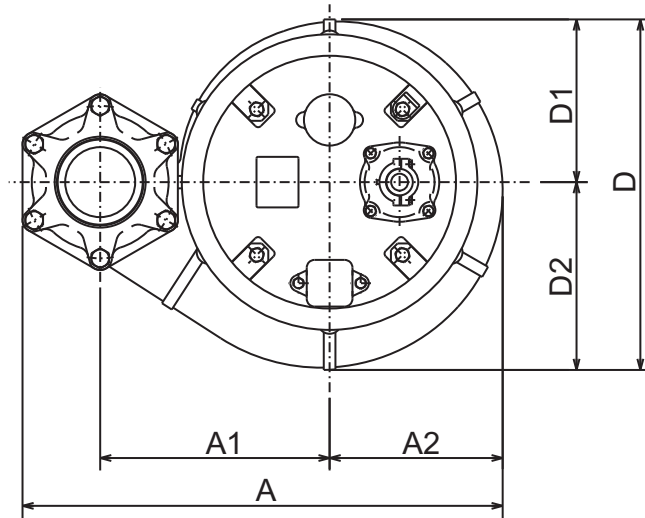




**GPN - SERIES**  
SUBMERSIBLE AGITATOR PUMPS

**DIMENSIONS**

**GPN411-61**  
**GPN415-61**



C.W.L. : Continuous running Water Level

**DIMENSIONS:USCS (Inch)**

Model	HP	NOM. SIZE	Pump & Motor									C.W.L.	*Wt.
			A	A1	A2	B	B1	D	D1	D2	H	W1	(lbs.)
GPN411-61	15	4"	24 5/16	11 5/8	8 3/4	19 11/16	13 11/16	17 3/4	8 1/4	9 2/4	34 5/8	12 3/8	478
GPN415-61	20	4"	24 5/16	11 5/8	8 3/4	19 11/16	13 11/16	17 3/4	8 1/4	9 2/4	34 5/8	12 3/8	485

**DIMENSIONS:METRIC (mm)**

Model	kW	NOM. SIZE	Pump & Motor									C.W.L.	*Wt.
			A	A1	A2	B	B1	D	D1	D2	H	W1	(kg)
GPN411-61	11	100	617	295	223	500	347	451	209	242	879	315	217
GPN415-61	15	100	617	295	223	500	347	451	209	242	879	315	220

\*Excluding Cable