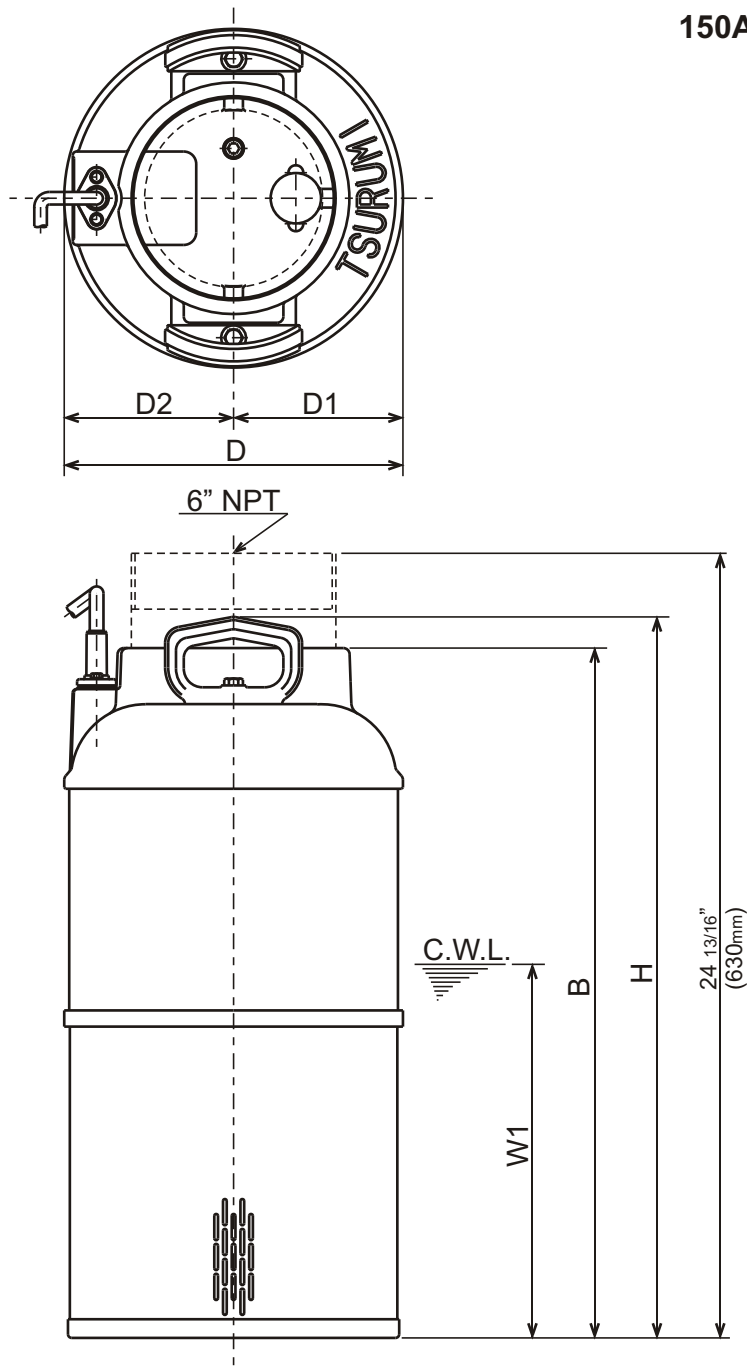




AB - SERIES
PROPELLER TYPE - DEWATERING PUMPS

DIMENSIONS

150AB41.5-61



C.W.L. : Continuous running Water Level

DIMENSIONS:USCS (Inch)

Model	HP	NOM. SIZE	Pump & Motor					C.W.L.	Wt. (lbs.)
			D	D1	D2	B	H	W1	
150AB41.5-61	2	6"	10 11/16	5 3/8	5 3/8	21 13/16	22 13/16	11 3/4	97

DIMENSIONS:METRIC (mm)

Model	kW	NOM. SIZE	Pump & Motor					C.W.L.	Wt. (kg)
			D	D1	D2	B	H	W1	
150AB41.5-61	1.5	150	272	136	136	554	579	300	44