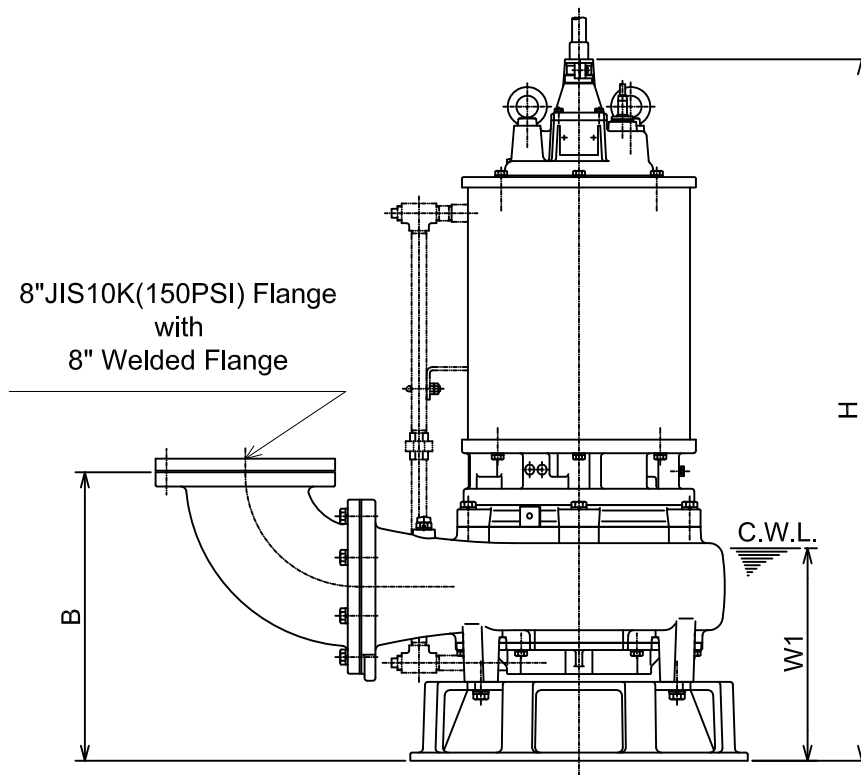
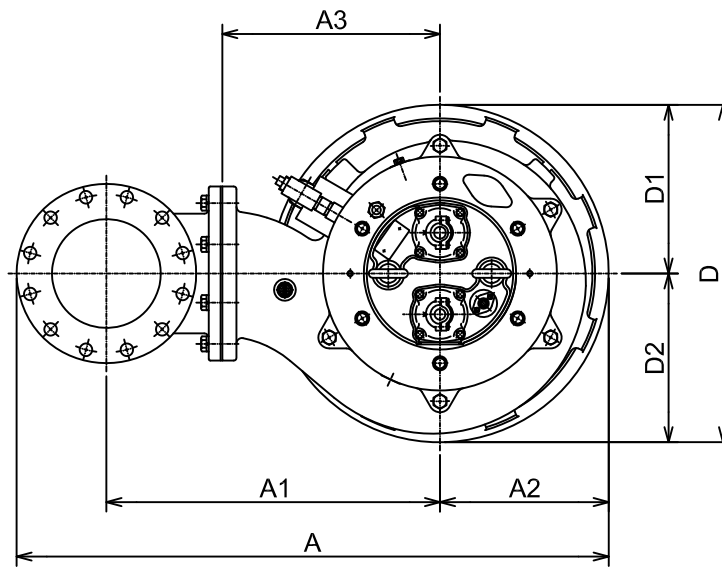




B-SERIES
SEWAGE & WASTEWATER PUMPS

DIMENSIONS

200BK422 -64



C.W.L. :Continuous running Water Level

DIMENSIONS:USCS(Inch)

Model	HP	NOM. SIZE	Pump & Motor								C.W.L.	*Wt.	
			A	A1	A2	A3	B	D	D1	D2	H	W1	(lbs.)
200BK422 -64	30	8"	42 13/16	24 1/8	12 3/16	15 3/4	20 7/8	24 7/16	12 3/16	12 3/16	50 3/4	15 3/8	1190

DIMENSIONS:METRIC(mm)

Model	kW	NOM. SIZE	Pump & Motor								C.W.L.	*Wt.	
			A	A1	A2	A3	B	D	D1	D2	H	W1	(kg)
200BK422 -64	22	200	1088	613	310	400	530	620	310	310	1289	390	540

*Excluding Cable