

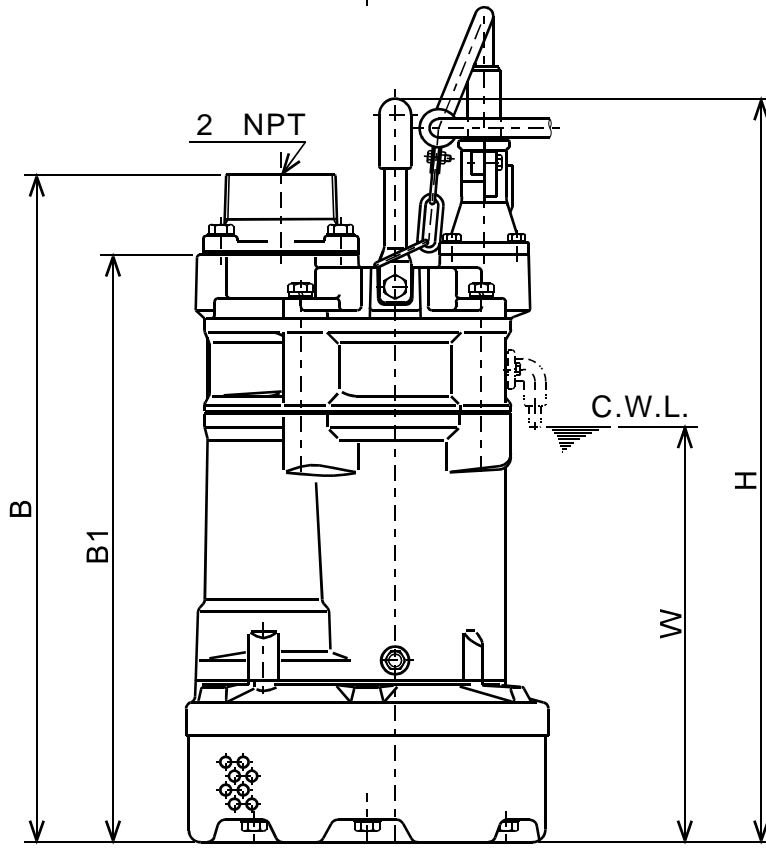
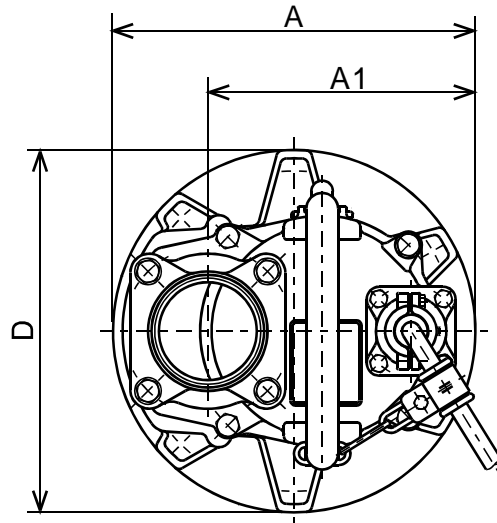


TSURUMI PUMP

KTVE - SERIES
SEMI-VORTEX - DEWATERING PUMPS (AUTO TYPE)

DIMENSIONS

KTVE33.7-60



C.W.L.: Continuous running Water Level

DIMENSIONS:USCS (Inch)

Model	HP	NOM. SIZE	Pump & Motor						C.W.L.	Wt. (lbs.)
			A	A1	B	B1	D	H	W1	
KTVE33.7-60	5	3"	11 1/4	8 5/16	20 11/16	18 3/16	11 1/4	23 1/16	12 7/8	88

DIMENSIONS:METRIC (mm)

Model	kW	NOM. SIZE	Pump & Motor						C.W.L.	Wt. (kg)
			A	A1	B	B1	D	H	W1	
KTVE33.7-60	3.7	80	285	211	525	462	285	585	327	40.0