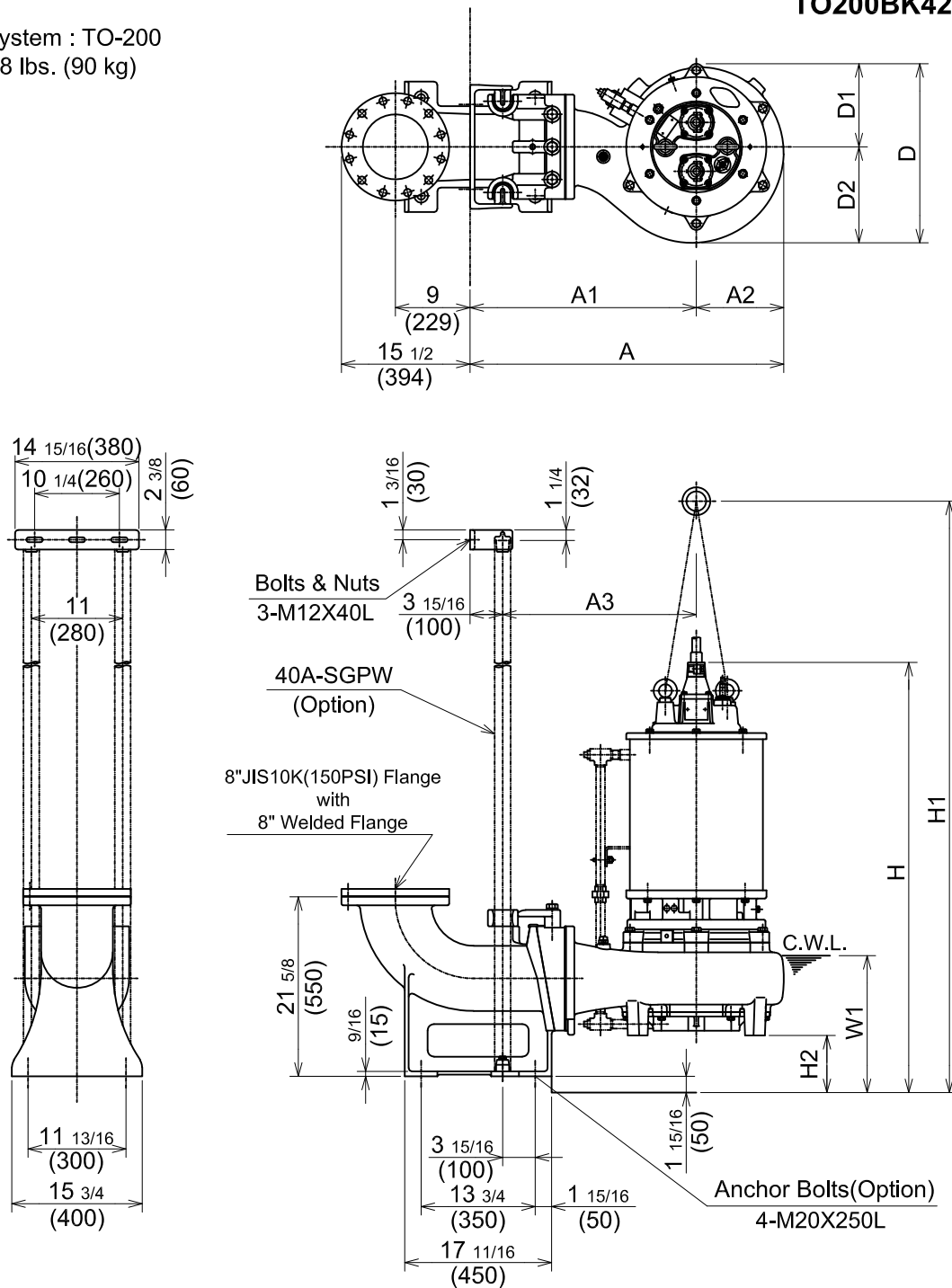


Guide rail system : TO-200
Weight : 198 lbs. (90 kg)

TO200BK422 -64



C.W.L. :Continuous running Water Level

DIMENSIONS:USCS (Inch)

Model	HP	NOM. SIZE	Pump & Motor										C.W.L.	*Wt.
			A	A1	A2	A3	D	D1	D2	H	H1	H2	W1	(lbs.)
TO200BK422-64	30	8"	37 7/8	27 5/16	10 9/16	23 3/8	21 5/8	10 1/16	11 9/16	51 15/16	71 3/8	67/8	16 1/2	1050

DIMENSIONS:METRIC (mm)

Model	kW	NOM. SIZE	Pump & Motor										C.W.L.	*Wt.
			A	A1	A2	A3	D	D1	D2	H	H1	H2	W1	(kg)
TO200BK422-64	22	200	962	694	268	594	549	255	294	1319	1813	175	420	478

*Excluding TO & Cable