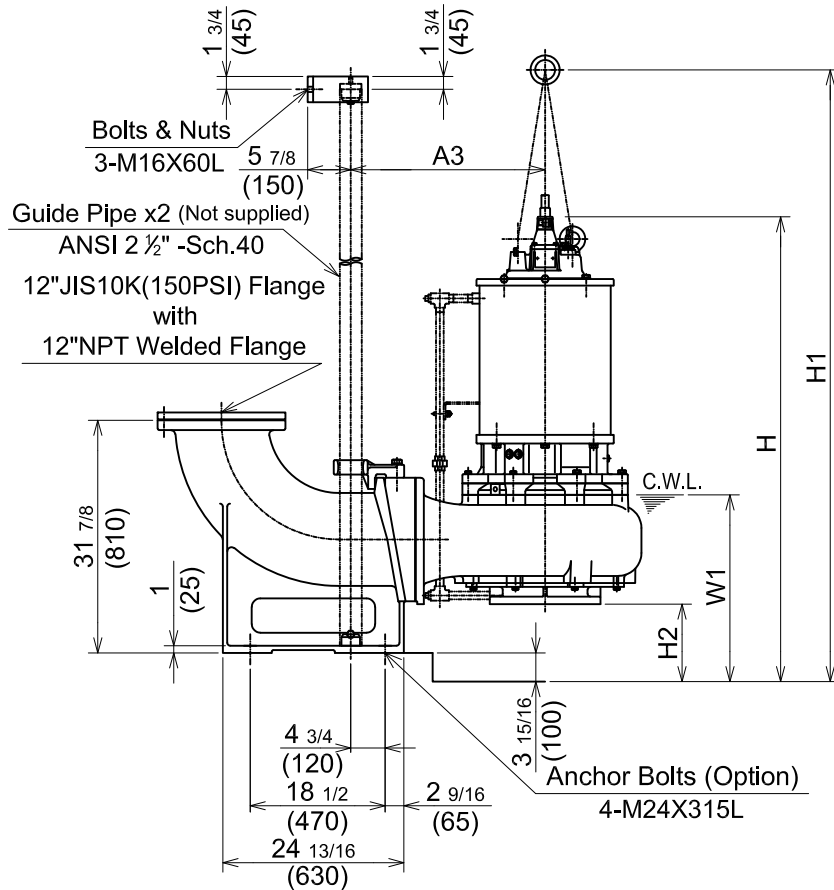
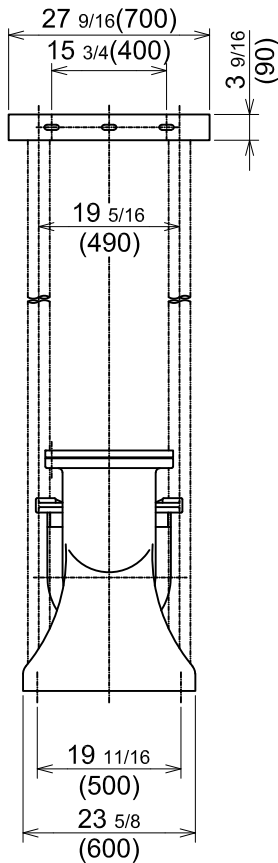
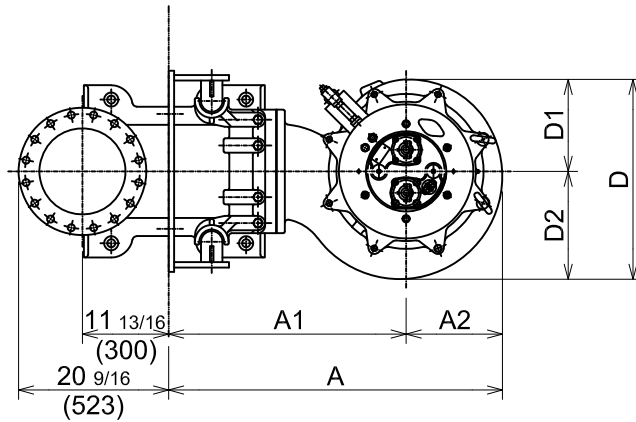


Guide rail system : TO-300
Weight : 595 lbs. (270 kg)

TO300BK622 -63



C.W.L. :Continuous running Water Level

DIMENSIONS:USCS (Inch)

Model	HP	NOM. SIZE	Pump & Motor										C.W.L. W1	*Wt. (lbs.)
			A	A1	A2	A3	D	D1	D2	H	H1	H2		
TO300BK622-63	30	12"	45 3/4	32 9/16	13 3/16	26 5/8	27 3/8	12 5/8	14 13/16	63 11/16	83 7/8	10 5/8	25 5/8	1690

DIMENSIONS:METRIC (mm)

Model	kW	NOM. SIZE	Pump & Motor										C.W.L. W1	*Wt. (kg)
			A	A1	A2	A3	D	D1	D2	H	H1	H2		
TO300BK622-63	22	300	1162	827	335	677	696	320	376	1618	2130	270	650	765

*Excluding TO & Cable