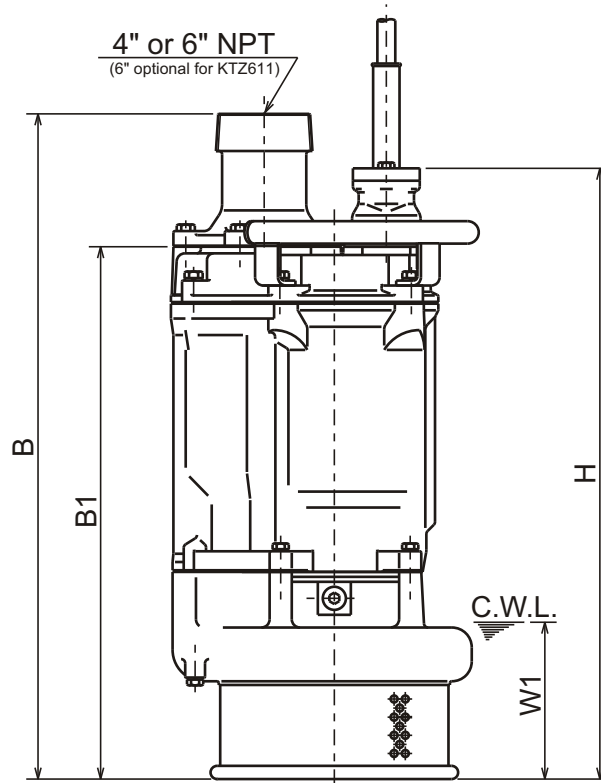
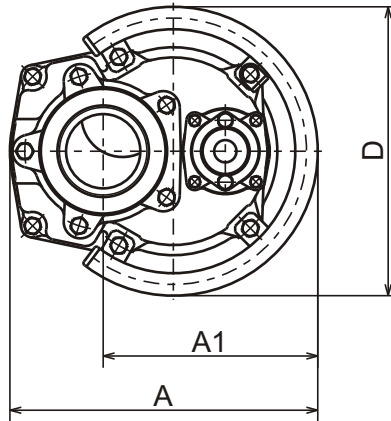




**KTZ - SERIES  
DEWATERING PUMPS**

**DIMENSIONS**

**KTZ411-61  
KTZ611-61**



C.W.L. : Continuous running Water Level

**DIMENSIONS:USCS (Inch)**

Model	HP	NOM. SIZE	Pump & Motor						C.W.L.	Wt. (lbs.)
			A	A1	B	B1	D	H	W1	
KTZ411-61	15	4"	14 11/16	10 1/4	31 3/4	25 3/8	13 3/4	29 1/8	7 1/2	293
KTZ611-61(4")	15	4"	14 11/16	10 1/4	31 3/4	25 3/8	13 3/4	29 1/8	7 1/2	300
KTZ611-61	15	*6"	14 11/16	10 1/4	30 3/16	25 3/8	13 3/4	29 1/8	7 1/2	300

\*6" is optional

**DIMENSIONS:METRIC (mm)**

Model	kW	NOM. SIZE	Pump & Motor						C.W.L.	Wt. (kg)
			A	A1	B	B1	D	H	W1	
KTZ411-61	11	100	373	260	806	645	350	740	190	133
KTZ611-61(4")	11	100	373	260	806	645	350	740	190	136
KTZ611-61	11	*150	373	260	766	645	350	740	190	136

\*150mm is optional