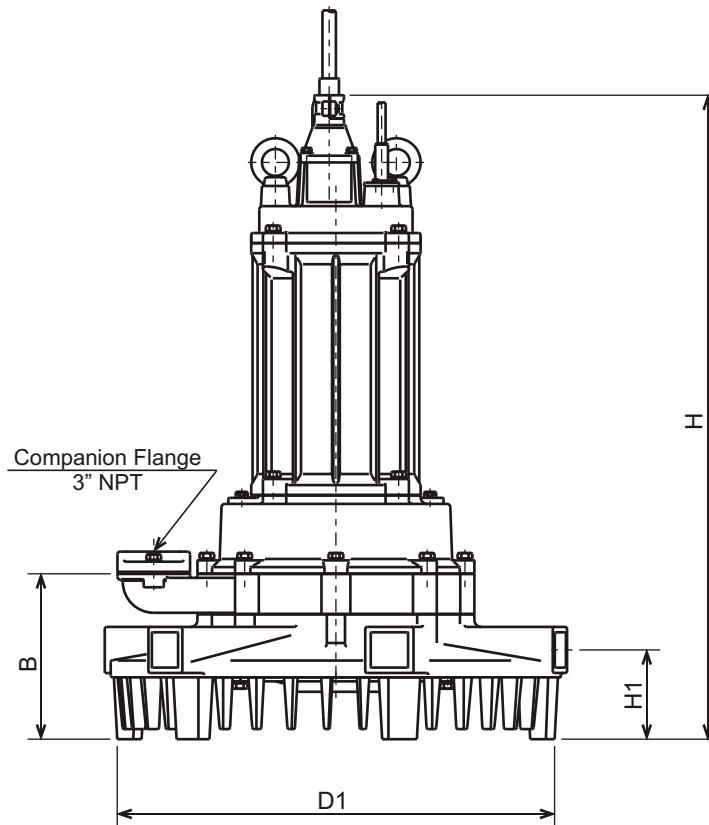
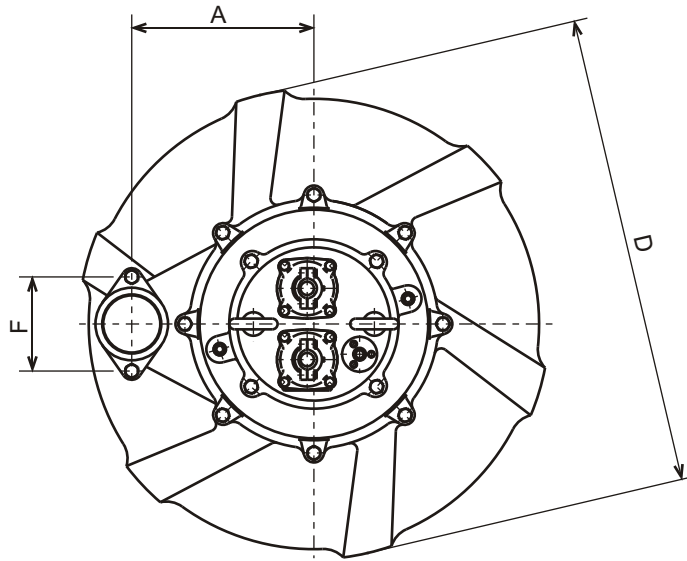




**TRN - SERIES  
SUBMERSIBLE - AERATOR**

**DIMENSIONS**

**80TRN417-62**



**DIMENSIONS:USCS (Inch)**

Model	HP	Air-Inlet Dia.	Aerator & Motor							*Wt. (lbs.)
			A	B	F	D	D1	H	H1	
80TRN417-62	23	3"	10 11/16	9 11/16	5 1/2	27 9/16	26	37 11/16	5 1/4	485

**DIMENSIONS:METRIC (mm)**

Model	kW	Air-Inlet Dia.	Aerator & Motor							*Wt. (kg)
			A	B	F	D	D1	H	H1	
80TRN417-62	17	80	271	246	140	700	660	958	133	220

\*Excluding Cable