

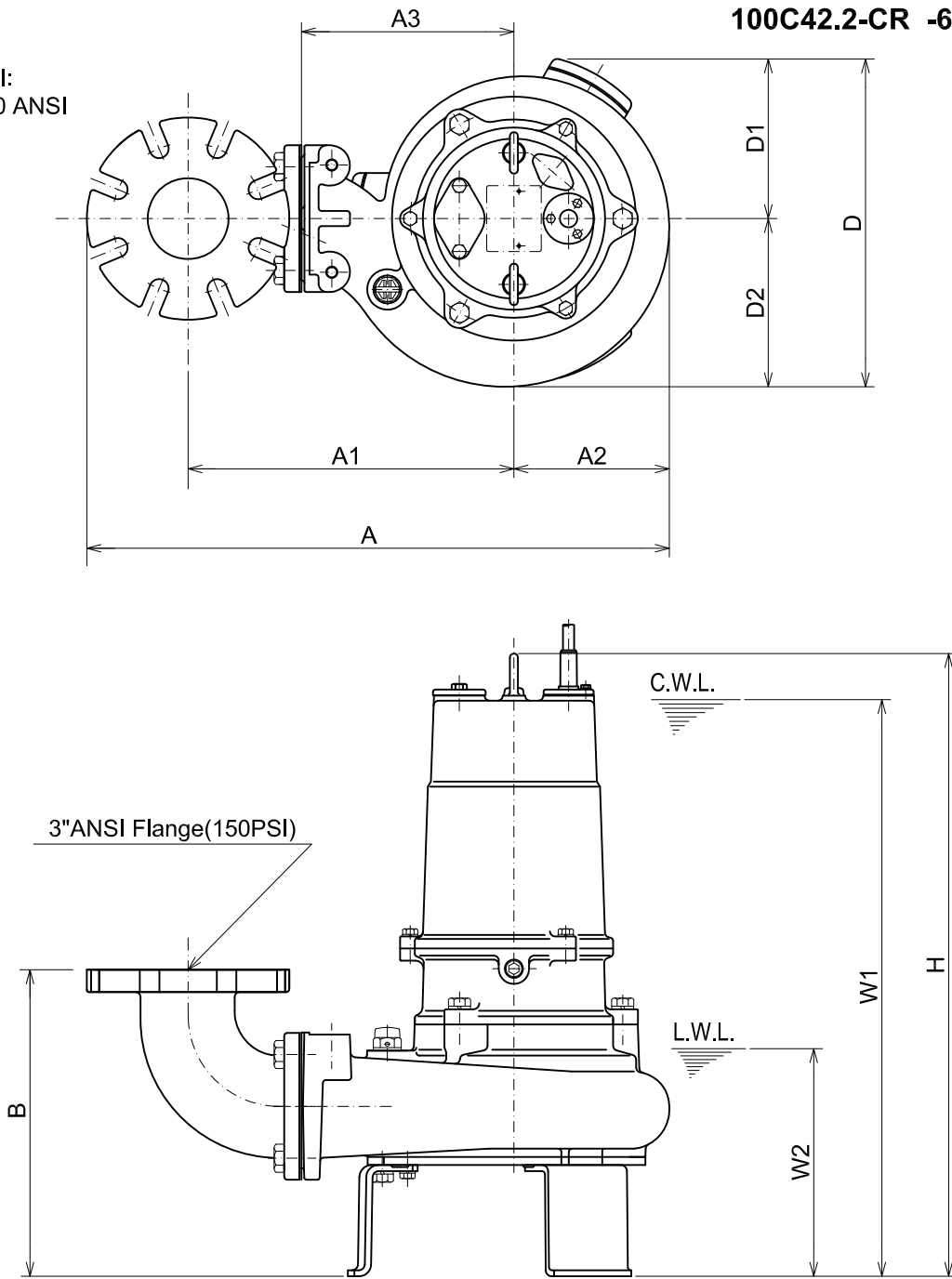


**C-SERIES  
CUTTER - TYPE - SEWAGE & WASTEWATER PUMPS**

**DIMENSIONS**

Bend model:  
BEND80-80 ANSI

100C42.2-CR -62 (3"Dis.)



C.W.L. :Continuous running Water Level  
L.W.L. :Lowest running Water Level

**DIMENSIONS:USCS(Inch)**

Model	HP	NOM. SIZE	Pump & Motor									C.W.L. W1	L.W.L. W2	*Wt. (lbs.)
			A	A1	A2	A3	B	D	D1	D2	H			
100C42.2-CR -62	3	3"	23	13	6 1/16	8 1/4	11 15/16	12 3/4	6 1/4	6 9/16	24 1/4	22 1/2	8 7/8	146

**DIMENSIONS:METRIC(mm)**

Model	kW	NOM. SIZE	Pump & Motor									C.W.L. W1	L.W.L. W2	*Wt. (kg)
			A	A1	A2	A3	B	D	D1	D2	H			
100C42.2-CR -62	2.2	80	584	330	154	210	303	324	158	166	616	570	225	66

\*Excluding Cable.