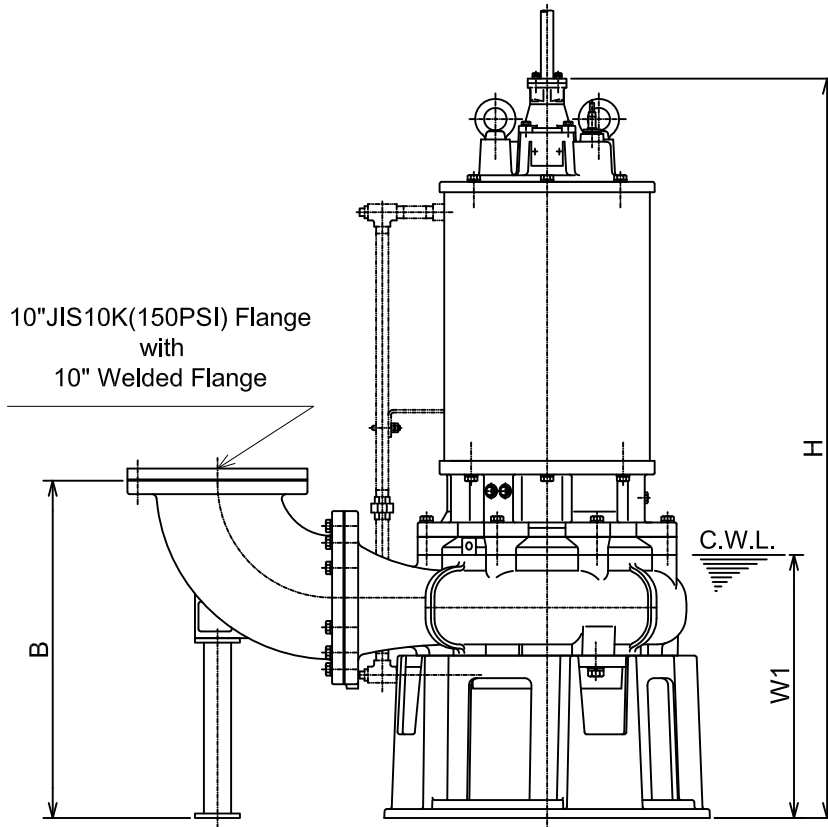
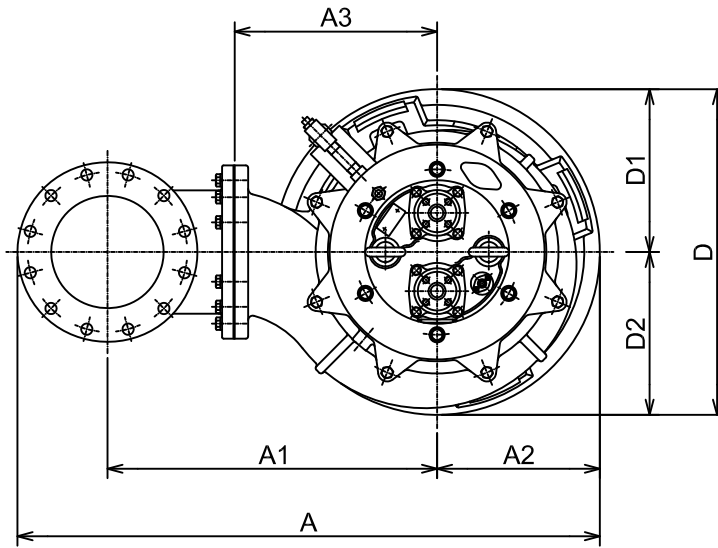




B-SERIES
SEWAGE & WASTEWATER PUMPS

DIMENSIONS

250BK437 -63



C.W.L. :Continuous running Water Level

DIMENSIONS:USCS(Inch)

Model	HP	NOM. SIZE	Pump & Motor									C.W.L.	*Wt.
			A	A1	A2	A3	B	D	D1	D2	H	W1	(lbs.)
250BK437 -63	50	10"	51	28 7/8	14 1/4	17 11/16	29 1/2	28 1/2	14 1/4	14 1/4	63 3/4	23	2010

DIMENSIONS:METRIC(mm)

Model	kW	NOM. SIZE	Pump & Motor									C.W.L.	*Wt.
			A	A1	A2	A3	B	D	D1	D2	H	W1	(kg)
250BK437 -63	37	250	1295	733	362	450	750	724	362	362	1644	585	910

*Excluding Cable