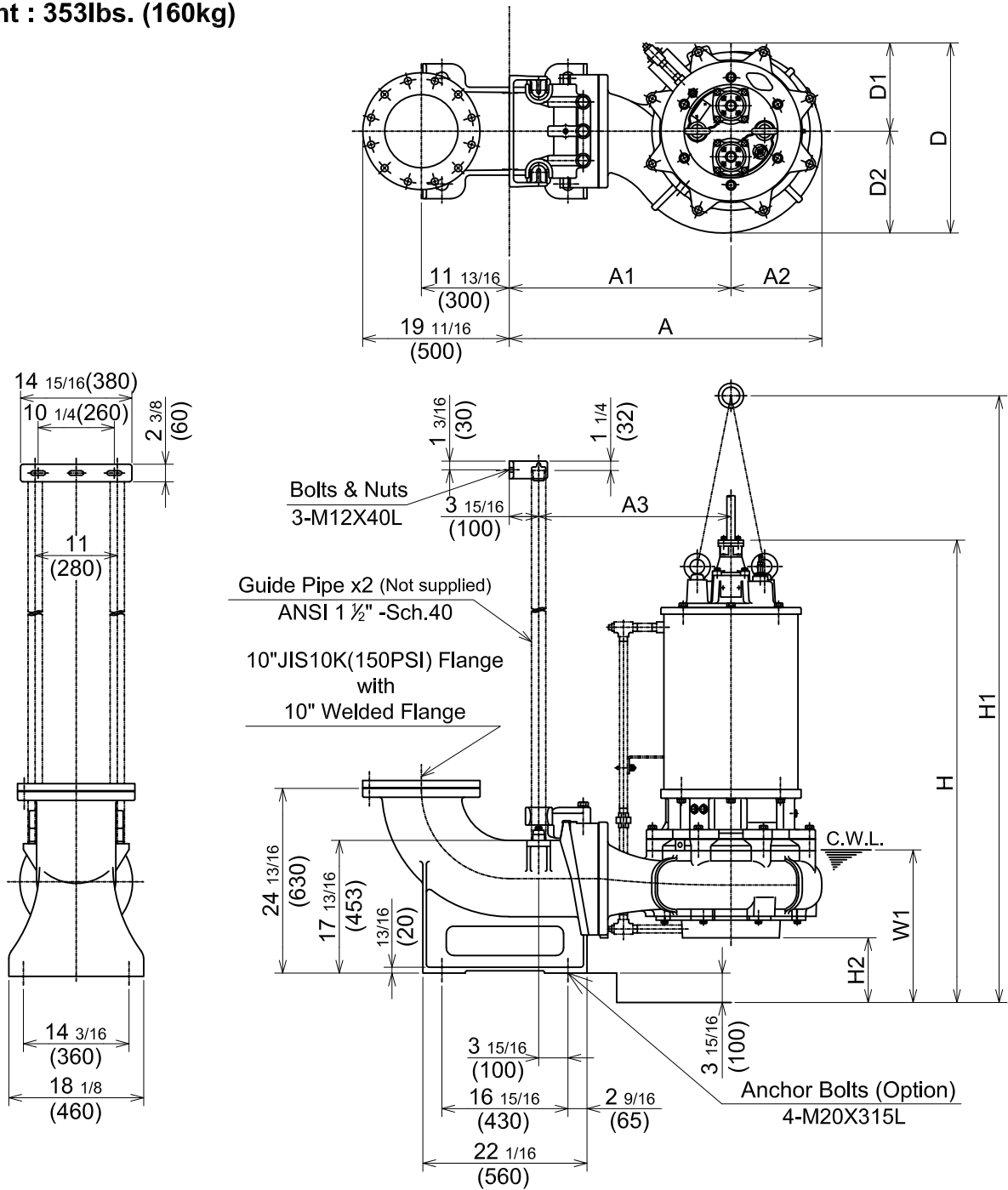


TO250BK437 -63

Guide Rail System : TO-250
Weight : 353lbs. (160kg)



C.W.L. :Continuous running Water Level

DIMENSIONS:USCS (Inch)

Model	HP	NOM. SIZE	Pump & Motor										C.W.L. W1	*Wt. (lbs.)
			A	A1	A2	A3	D	D1	D2	H	H1	H2		
TO250BK437-63	50	10"	41 15/16	29 3/4	12 3/16	25 13/16	25 1/2	11 7/8	13 11/16	62 1/16	81 7/16	8 11/16	20 1/2	1720

DIMENSIONS:METRIC (mm)

Model	kW	NOM. SIZE	Pump & Motor										C.W.L. W1	*Wt. (kg)
			A	A1	A2	A3	D	D1	D2	H	H1	H2		
TO250BK437-63	37	250	1066	756	310	656	648	301	347	1576	2069	221	520	780

*Excluding TO & Cable