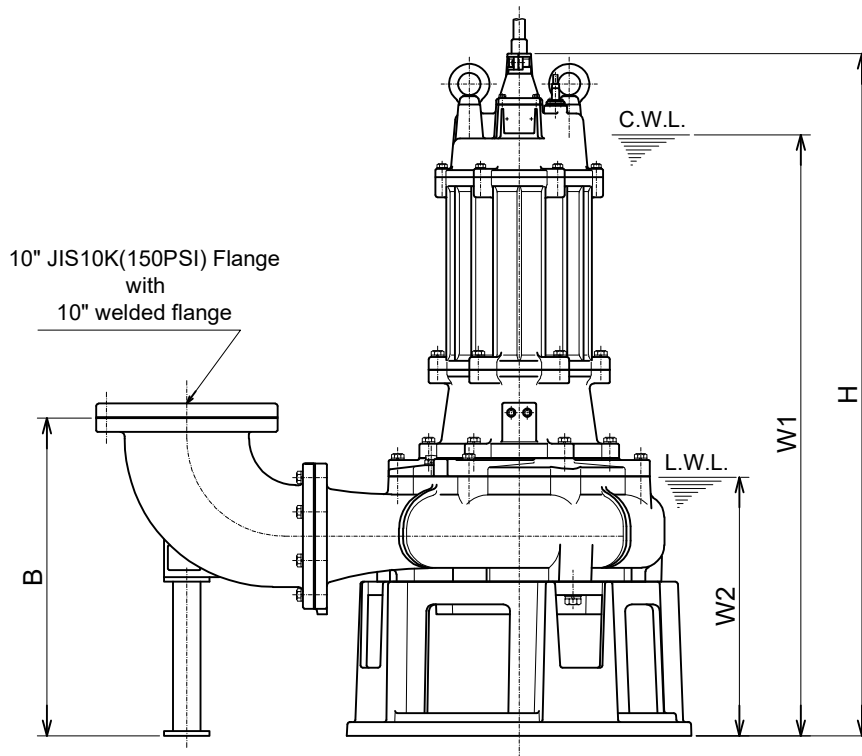
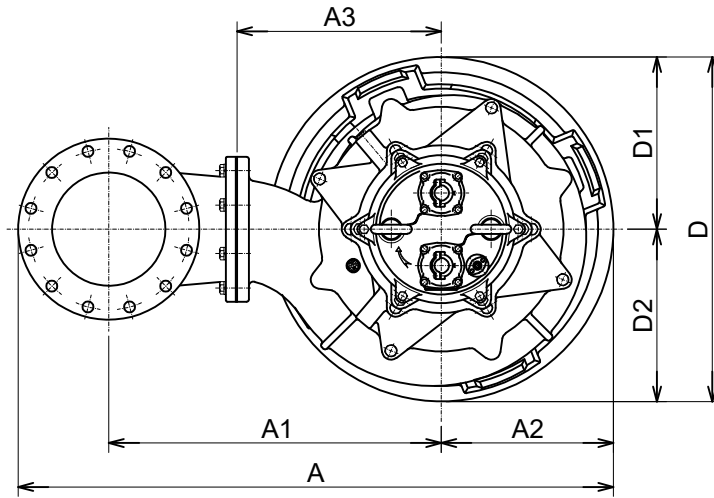


250BZ430H -61



C.W.L. :Continuous running Water Level
L.W.L. :Lowest running Water Level

DIMENSIONS:USCS (Inch)

Model	HP	NOM. SIZE	Pump & Motor								C.W.L.	L.W.L.	*Wt. (lbs.)	
			A	A1	A2	A3	B	D	D1	D2				H
250BZ430H-61	40	10"	51 11/16	28 7/8	14 15/16	17 11/16	27 9/16	29 15/16	14 15/16	14 15/16	59 3/16	52 1/8	22 1/2	1720

DIMENSIONS:METRIC (mm)

Model	kW	NOM. SIZE	Pump & Motor								C.W.L.	L.W.L.	*Wt. (kg)	
			A	A1	A2	A3	B	D	D1	D2				H
250BZ430H-61	30	250	1313	733	380	450	700	760	380	380	1504	1325	570	780

*Excluding Cable