

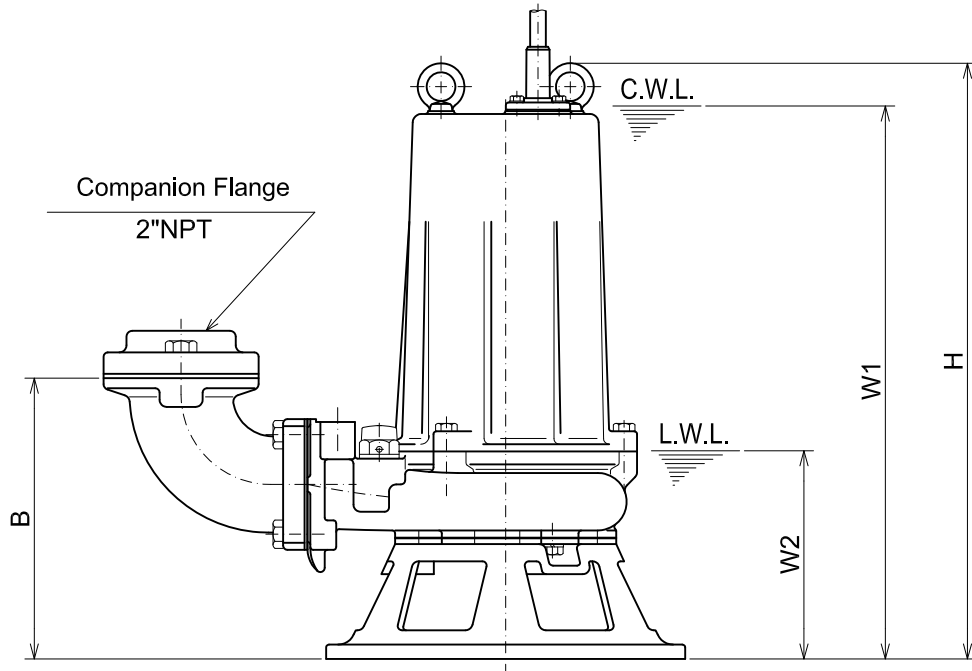
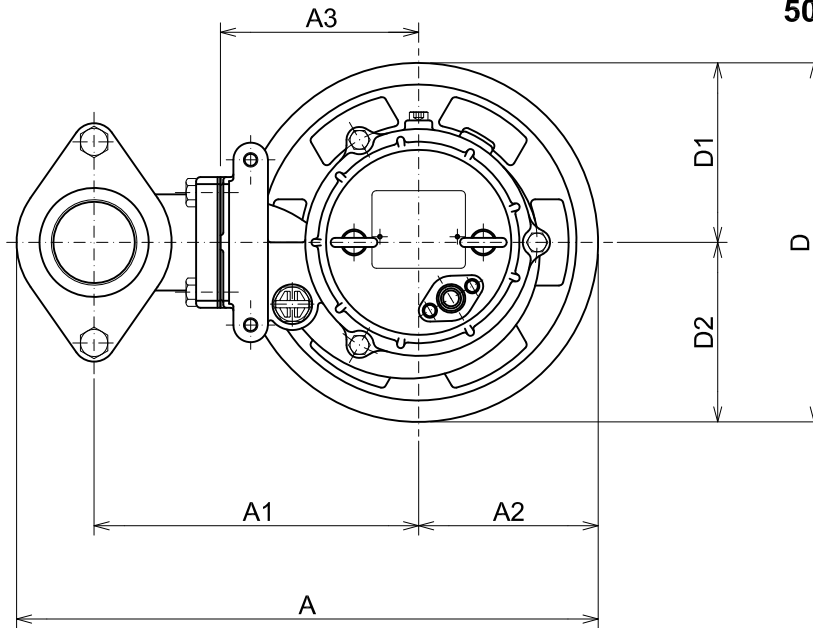


**TSURUMI PUMP**

**C-SERIES  
CUTTER - TYPE - SEWAGE & WASTEWATER PUMPS**

**DIMENSIONS**

**50C2.75-CR -63**



Companion Flange  
2"NPT

C.W.L. :Continuous running Water Level  
L.W.L. :Lowest running Water Level

**DIMENSIONS:USCS(Inch)**

Model	HP	NOM. SIZE	Pump & Motor									C.W.L.	L.W.L.	Wt. (lbs.)
			A	A1	A2	A3	B	D	D1	D2	H			
50C2.75-CR -63	1	2"	15 15/16	8 7/8	4 15/16	5 7/16	7 11/16	9 13/16	4 15/16	4 15/16	16 5/16	15 1/8	5 3/4	53

\*Excluding Cable.

**DIMENSIONS:METRIC(mm)**

Model	kW	NOM. SIZE	Pump & Motor									C.W.L.	L.W.L.	Wt. (kg)
			A	A1	A2	A3	B	D	D1	D2	H			
50C2.75-CR -63	0.75	50	405	226	125	138	196	250	125	125	415	385	145	24