

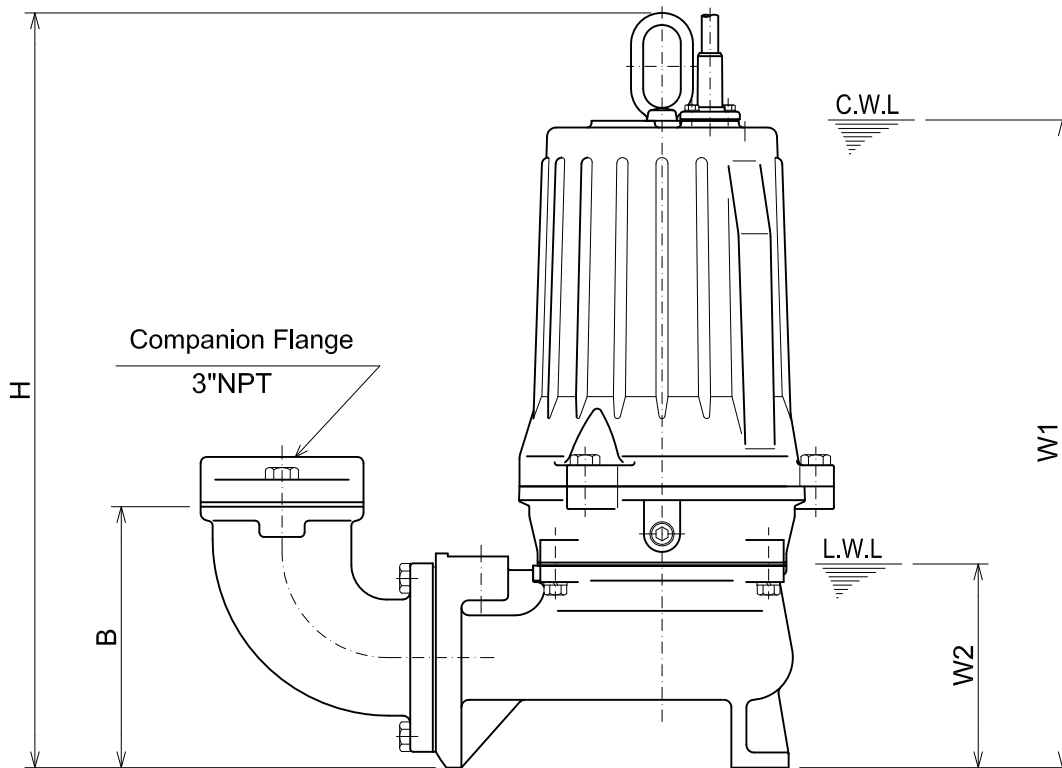
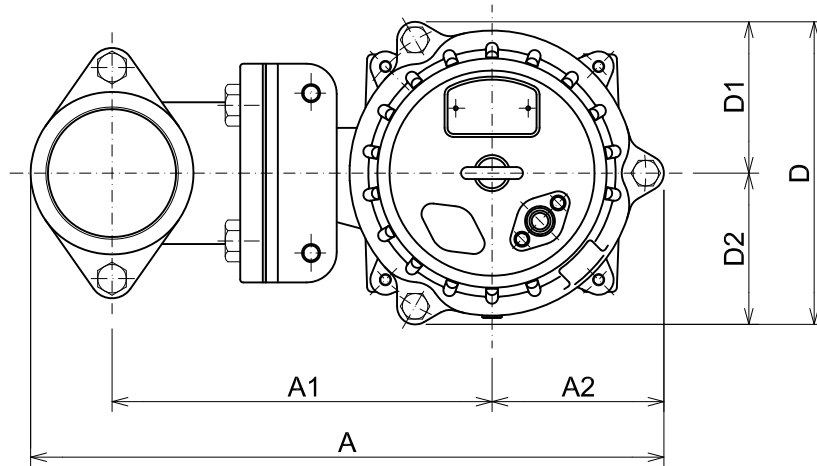


TSURUMI PUMP

**U-SERIES
SEMI-VORTEX - SEWAGE & WASTEWATER PUMPS**

DIMENSIONS

80U21.5 -63



C.W.L. :Continuous running Water Level
L.W.L. :Lowest running Water Level

DIMENSIONS:USCS(Inch)

Model	HP	NOM. SIZE	Pump & Motor								C.W.L.	L.W.L.	Wt. (lbs.)
			A	A1	A2	B	D	D1	D2	H			
80U21.5 -63	2	3"	16 9/16	9 15/16	4 1/2	6 13/16	7 15/16	4	4	19 5/8	16 7/8	5 3/8	88

DIMENSIONS:METRIC(mm)

Model	kW	NOM. SIZE	Pump & Motor								C.W.L.	L.W.L.	Wt. (kg)
			A	A1	A2	B	D	D1	D2	H			
80U21.5 -63	1.5	80	420	252	114	173	202	101	101	499	430	135	40