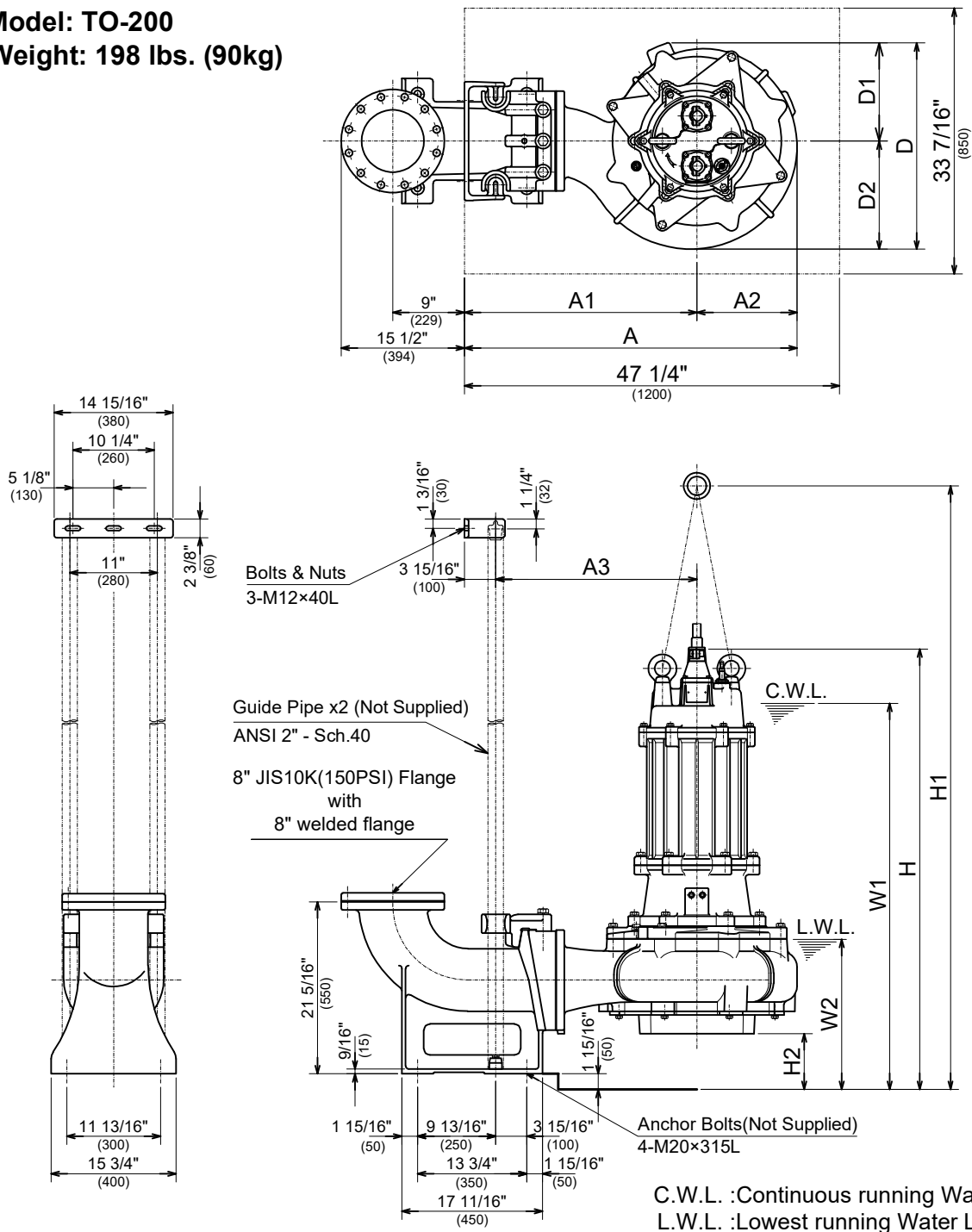


TO200BZ430 -61

Guide rail
Model: TO-200
Weight: 198 lbs. (90kg)



DIMENSIONS:USCS (Inch)

Model	HP	NOM. SIZE	Pump & Motor									C.W.L.	L.W.L.	*Wt. (lbs.)	
			A	A1	A2	A3	D	D1	D2	H	H1				H2
TO200BZ430 -61	40	8"	41 15/16	29 5/16	12 5/8	25 3/8	26	12 3/8	13 5/8	55 1/2	76	7	48 5/8	18 7/8	1610

DIMENSIONS:METRIC (mm)

Model	kW	NOM. SIZE	Pump & Motor									C.W.L.	L.W.L.	*Wt. (kg)	
			A	A1	A2	A3	D	D1	D2	H	H1				H2
TO200BZ430 -61	30	200	1065	744	321	644	660	314	346	1409	1931	178	1235	480	730

*Excluding TO & Cable