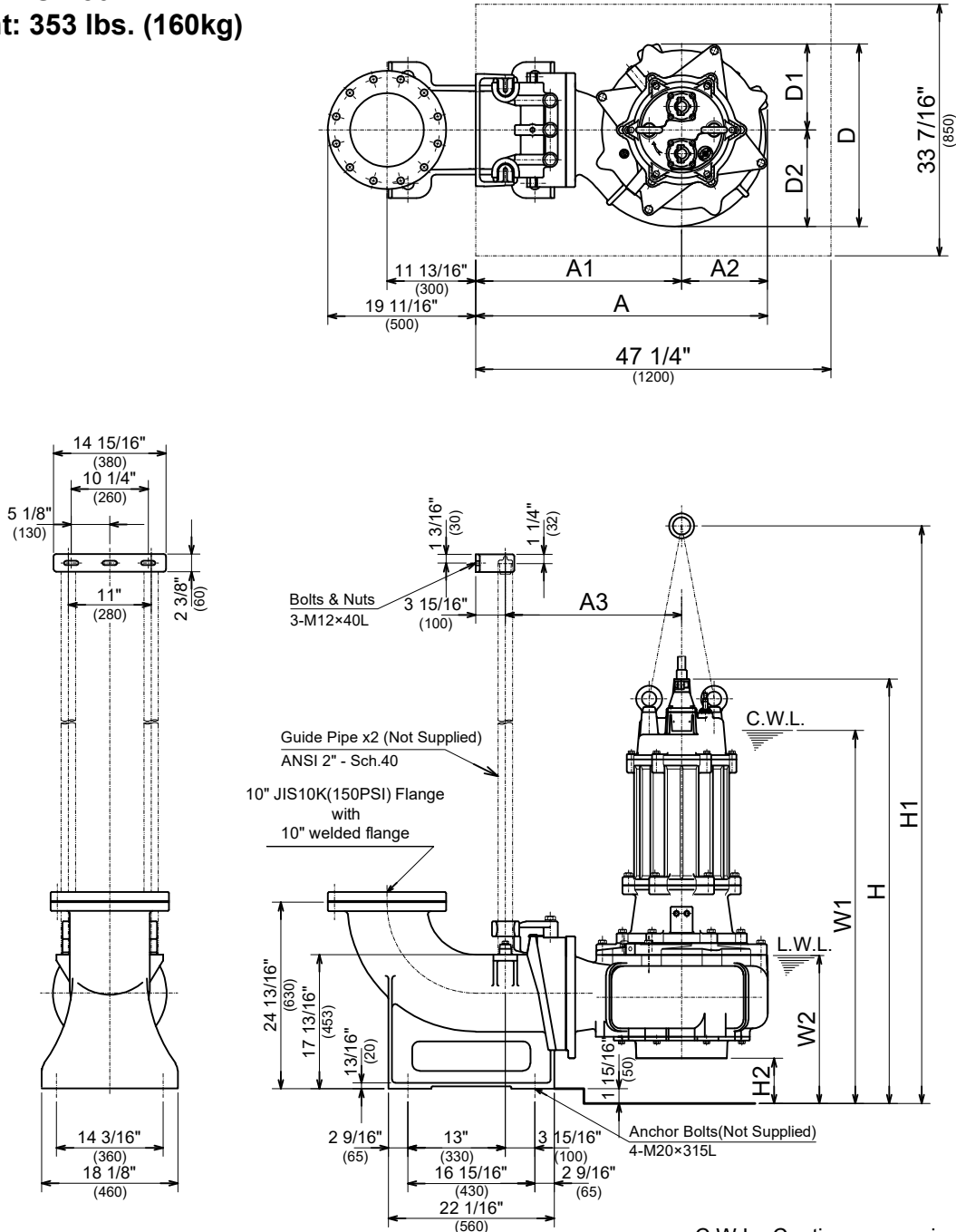


**TO250BZ430 -61**

**Guide rail**  
**Model: TO-250**  
**Weight: 353 lbs. (160kg)**



C.W.L. :Continuous running Water Level  
L.W.L. :Lowest running Water Level

**DIMENSIONS:USCS (Inch)**

Model	HP	NOM. SIZE	Pump & Motor										C.W.L.	L.W.L.	*Wt. (lbs.)
			A	A1	A2	A3	D	D1	D2	H	H1	H2			
TO250BZ430 -61	40	10"	38 13/16	27 3/8	11 7/16	23 7/16	24 1/4	11 7/16	12 13/16	56 7/16	76 13/16	6	49 5/8	19 5/8	1720

**DIMENSIONS:METRIC (mm)**

Model	kW	NOM. SIZE	Pump & Motor										C.W.L.	L.W.L.	*Wt. (kg)
			A	A1	A2	A3	D	D1	D2	H	H1	H2			
TO250BZ430 -61	30	250	986	696	290	596	616	290	326	1434	1951	153	1260	500	780

\*Excluding TO & Cable