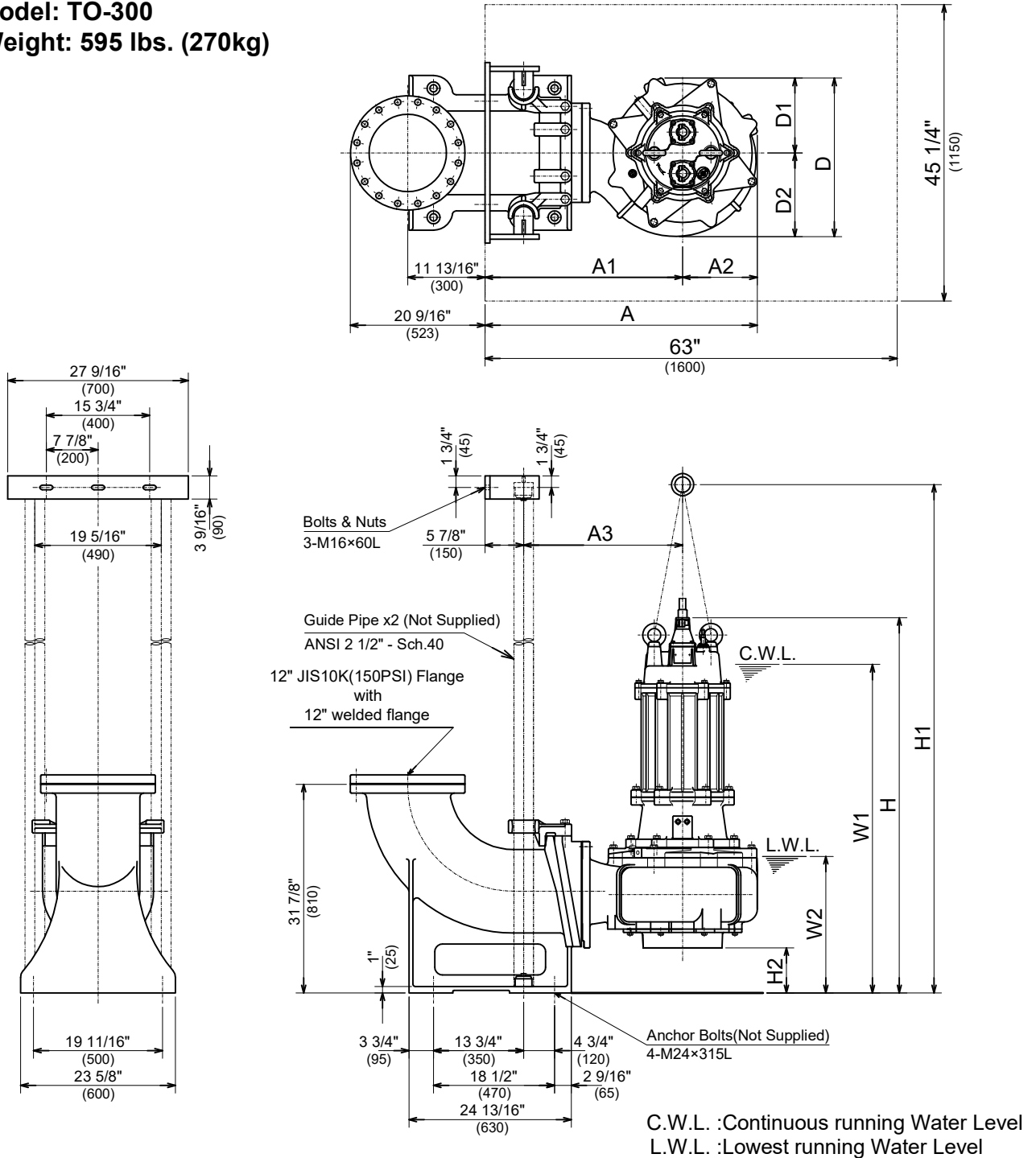


**TO300BZ430H -61**

**Guide rail  
Model: TO-300  
Weight: 595 lbs. (270kg)**



**DIMENSIONS:USCS (Inch)**

Model	HP	NOM. SIZE	Pump & Motor									C.W.L. W1	L.W.L. W2	*Wt. (lbs.)	
			A	A1	A2	A3	D	D1	D2	H	H1				H2
TO300BZ430H -61	40	12"	41 5/8	30 3/16	11 7/16	24 5/16	24 1/4	11 7/16	12 13/16	57 3/8	77 11/16	6 7/8	50 1/4	20 7/8	1720

**DIMENSIONS:METRIC (mm)**

Model	kW	NOM. SIZE	Pump & Motor									C.W.L. W1	L.W.L. W2	*Wt. (kg)	
			A	A1	A2	A3	D	D1	D2	H	H1				H2
TO300BZ430H -61	30	300	1057	767	290	617	616	290	326	1457	1973	175	1275	530	780

\*Excluding TO & Cable