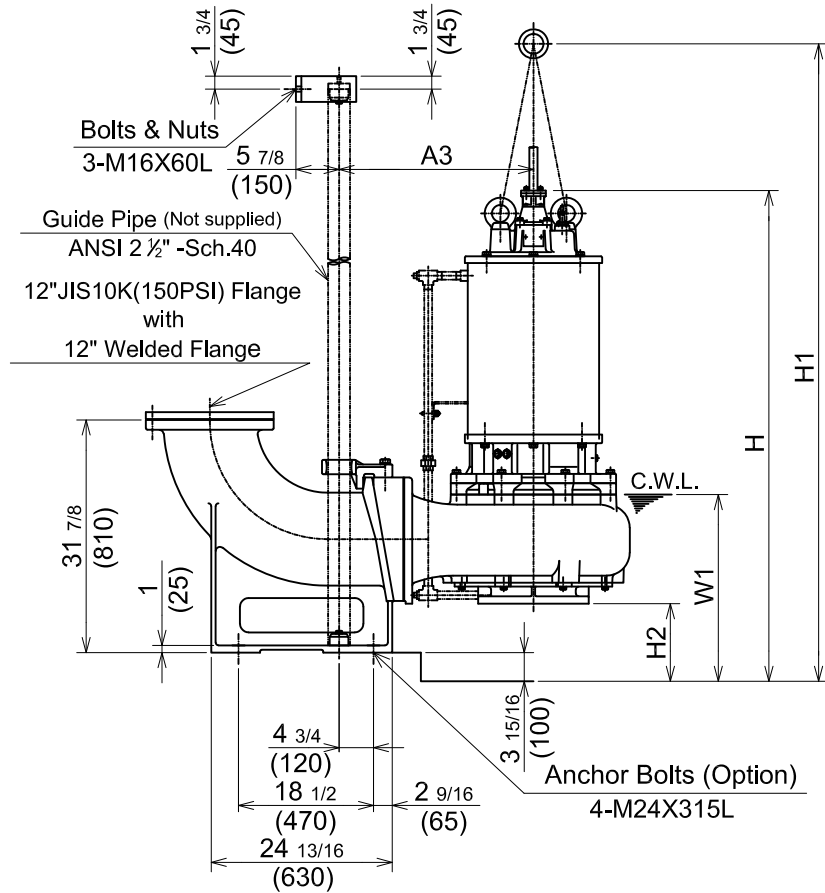
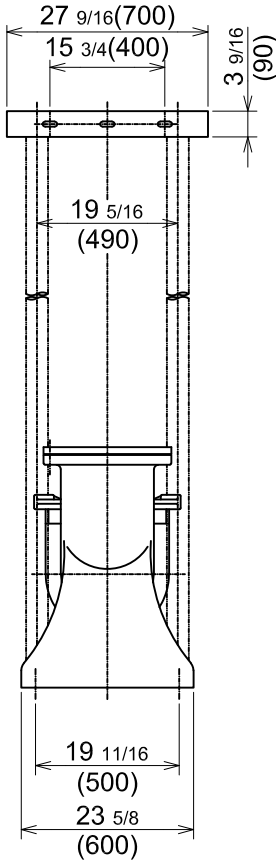
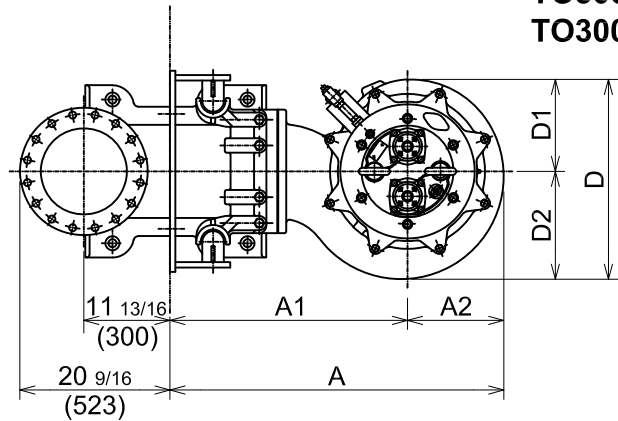


**Guide Rail System : TO-300**  
**Weight : 595lbs. (270kg)**

**TO300BK630 -63**  
**TO300BK637 -63**



C.W.L. :Continuous running Water Level

**DIMENSIONS:USCS (Inch)**

Model	HP	NOM. SIZE	Pump & Motor										C.W.L. W1	*Wt. (lbs.)
			A	A1	A2	A3	D	D1	D2	H	H1	H2		
TO300BK630-63	40	12"	45 3/4	32 9/16	13 3/16	26 5/8	27 3/8	12 5/8	14 13/16	67 5/16	87 3/8	10 5/8	25 5/8	1830
TO300BK637-63	50	12"	45 3/4	32 9/16	13 3/16	26 5/8	27 3/8	12 5/8	14 13/16	67 7/8	87 15/16	10 5/8	25 5/8	1850

**DIMENSIONS:METRIC (mm)**

Model	kW	NOM. SIZE	Pump & Motor										C.W.L. W1	*Wt. (kg)
			A	A1	A2	A3	D	D1	D2	H	H1	H2		
TO300BK630-63	30	300	1162	827	335	677	696	320	376	1709	2219	270	650	832
TO300BK637-63	37	300	1162	827	335	677	696	320	376	1724	2234	270	650	837

\*Excluding TO & Cable