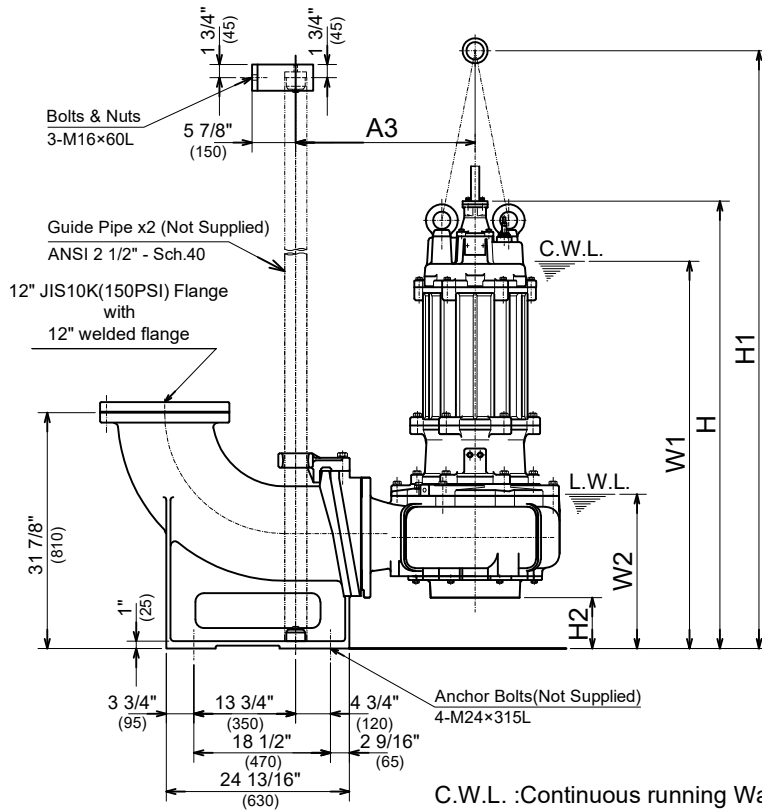
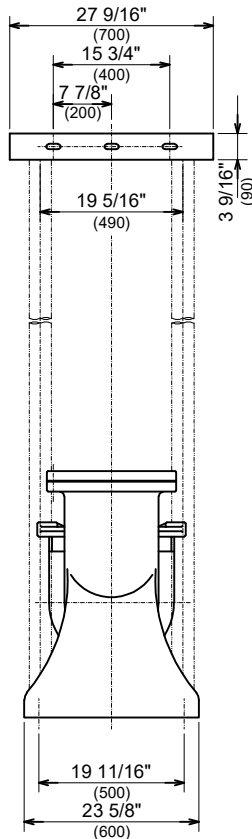
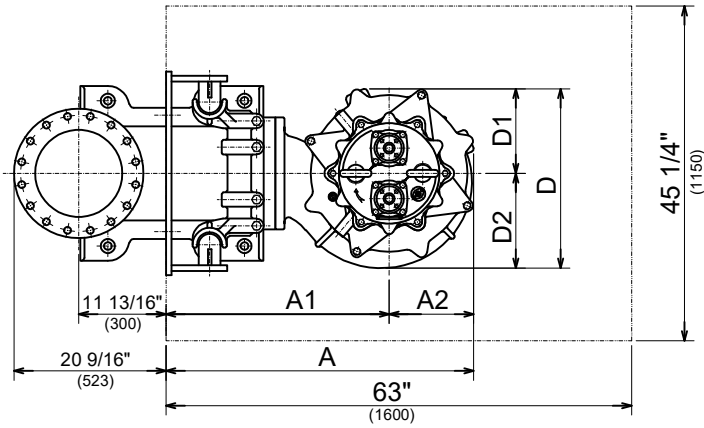


TO300BZ622H -61  
TO300BZ437H -61  
TO300BZ445H -61

Guide rail  
Model: TO-300  
Weight: 595 lbs. (270kg)



C.W.L. :Continuous running Water Level  
L.W.L. :Lowest running Water Level

DIMENSIONS:USCS (Inch)

Model	HP	NOM. SIZE	Pump & Motor										C.W.L.	L.W.L.	*Wt. (lbs.)
			A	A1	A2	A3	D	D1	D2	H	H1	H2			
TO300BZ622H -61	30	12"	41 5/8	30 3/16	11 7/16	24 5/16	24 1/4	11 7/16	12 13/16	60 1/2	80 7/8	6 7/8	52 3/8	20 7/8	1680
TO300BZ437H -61	50	12"	41 5/8	30 3/16	11 7/16	24 5/16	24 1/4	11 7/16	12 13/16	60 1/16	80 7/16	6 7/8	51 3/4	20 7/8	1830
TO300BZ445H -61	60	12"	41 5/8	30 3/16	11 7/16	24 5/16	24 1/4	11 7/16	12 13/16	60 1/2	80 7/8	6 7/8	52 3/8	20 7/8	1850

DIMENSIONS:METRIC (mm)

Model	kW	NOM. SIZE	Pump & Motor										C.W.L.	L.W.L.	*Wt. (kg)
			A	A1	A2	A3	D	D1	D2	H	H1	H2			
TO300BZ622H -61	22	300	1057	767	290	617	616	290	326	1537	2054	175	1330	530	760
TO300BZ437H -61	37	300	1057	767	290	617	616	290	326	1525	2043	175	1315	530	830
TO300BZ445H -61	45	300	1057	767	290	617	616	290	326	1537	2054	175	1330	530	840

\*Excluding TOS & Cable