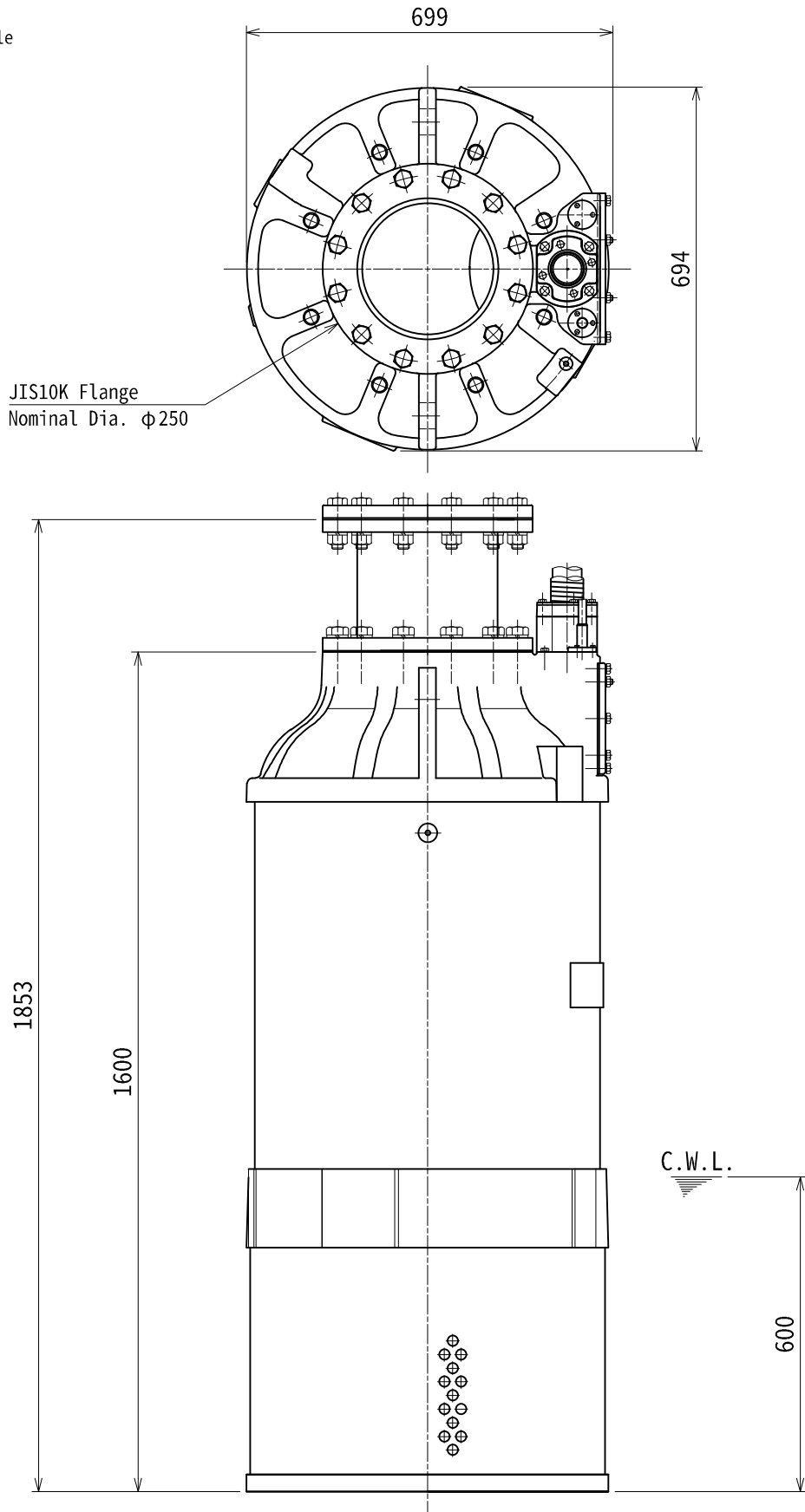


DIMENSION DRAWING		No.	No.	J4-52704-1
TYPE SUBMERSIBLE GENERAL DEWATERING PUMP		MODEL LH10110D -61		

Approximate Weight(※)
1450kg

※excluding cable



C.W.L.:Continuous running Water Level