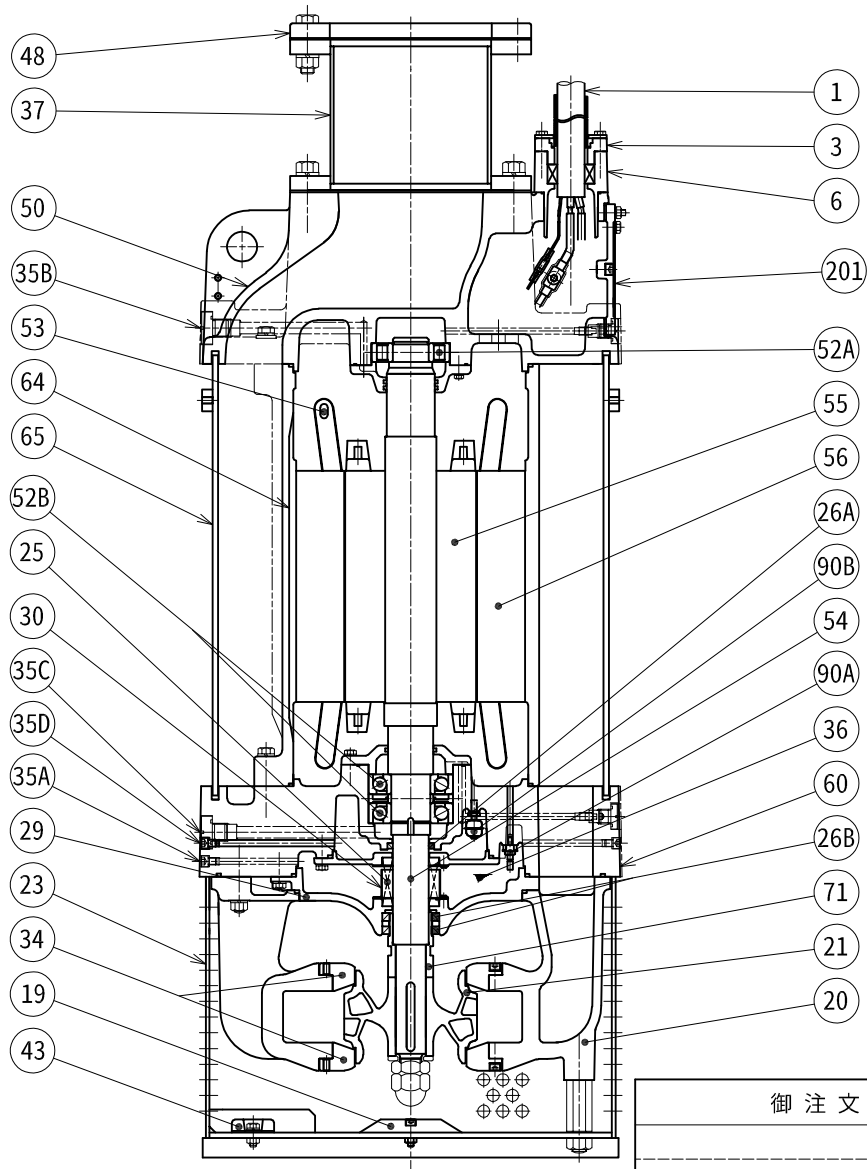


SECTIONAL DRAWING		No.	No.	J4-52705-1
TYPE	SUBMERSIBLE GENERAL DEWATERING PUMP	MODEL	LH10110D -61	



No.	DESCRIPTION	Q`TY	MATERIAL / NOTE	No.	DESCRIPTION	Q`TY	MATERIAL / NOTE
1	Cabtyre Cable	2	Chloroprene Sheath	37	Discharge Pipe	1	Structure Steel & Carbon Steel Pipe
3	Gland	1	Gray Iron Casting	43	Cathodic Protection Plate	4	Aluminium Alloy
6	Stuffing Box	1	Gray Iron Casting	48	Flange	1	Structure Steel
19	Straightening Vane	1	Structure Steel	50	Motor Bracket	1	Gray Iron Casting
20	Pump Casing	1	Gray Iron Casting	52A	Upper Bearing	1	NU312C3
21	Impeller	1	Chromium Iron Casting	52B	Lower Bearing	1	7313ADBC3 W/Spacer
23	Strainer Stand	1	Structure Steel	53	Motor Protector	3	
25	Mechanical Seal	1	H-60P	54	Shaft	1	Stainless Steel 420J2
26A	Oil Seal	1	TC709513	55	Rotor	1	
26B	Oil Seal	2	TC709513	56	Stator	1	
29	Oil Casing	1	Gray Iron Casting	60	Bearing Housing	1	Gray Iron Casting
30	Oil Lifter	1	Steel Sheet	64	Motor Frame	1	Gray Iron Casting
34	Suction Mouth	2	Chromium Iron Casting	65	Outer Cover	1	Structure Steel
35A	Oil Plug	3	Stainless Steel 304	71	Shaft Sleeve	1	Stainless Steel 403
35B	Grease Plug	2	Stainless Steel 304	90A	Leakage Sensor Electrode	1	Stainless Steel
35C	Grease Plug	2	Stainless Steel 304	90B	Leakage Sensor (Float)	1	
35D	Drain Plug	1	Stainless Steel 304	201	Case Lid	1	Gray Iron Casting
36	Lubricant		Turbine Oil (ISO VG32)				