

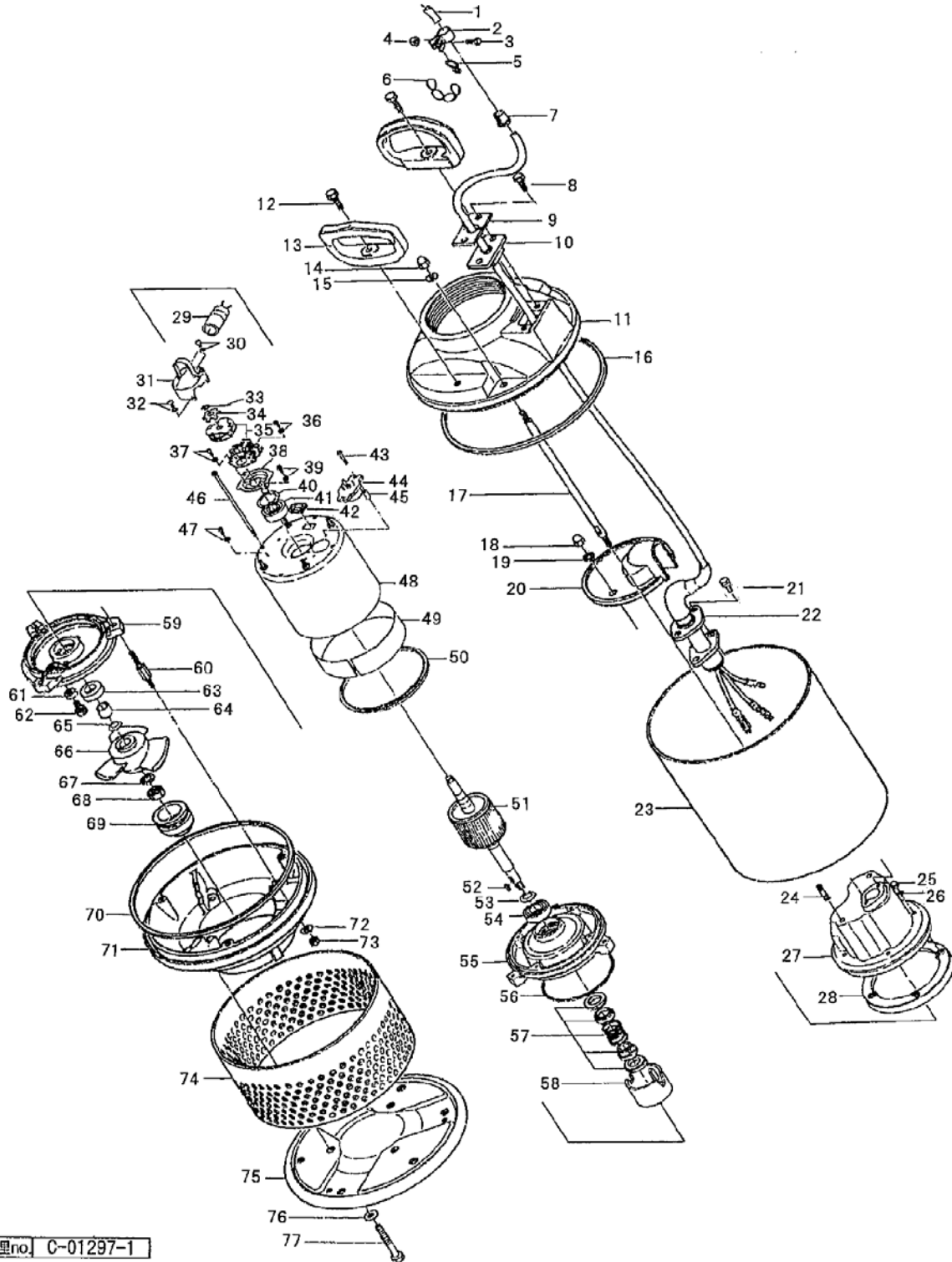
PARTS LIST		HI VOLUME DEWATERING PUMP			8/4/2017	
ITEM	PART No.	DESCRIPTION	QTY	SIZE	MATERIAL	NOTES
1	001-371-11	Cable Set (20') 110V-60Hz(USA)	1	VCT3Cx1.25mm2(CSA-3PAB)	LB	
2	010-105-10	Cable Clip	1	SB	SPC	
3	140-018-37	Hex.Bolt	1	M5x15	SWRM	
4	141-026-15	Square Nut	1	M5	S20C	
5	011-100-18	Shackle	1	S-8	SS	
6	095-133-10	Chain	1	d4(4-Link)	SS	
7	010-126-17	Cable Clip Rubber	1	HS2	NBR	
8	140-054-19	Hex.Bolt	2	M8x20	SUS304	
9	003-154-12	Gland	2	AB-4	SPC	
10	004-123-15	Cable Bush	1	AB-4/8	NBR	
11	051-169-19	Pump Head Cover	1		FC	
12	140-055-10	Hex.Bolt	2	M8x25	SUS304	
13	068-177-12	Handle	2	AB-4(SUS)	FC	
14	141-029-18	Hex.Cap Nut	3	M6	SUS304	
15	142-225-19	Seal Washer	3	W-6	SPC+NBR	*
16	121-194-13	Packing	1	d220x3t	NBR	*
17	144-158-16	Stud Bolt	3	M6x261(13/20)	SUS403	
18	141-030-12	Hex.Cap Nut	2	M8	SUS304	
19	142-163-18	Spring Washer	2	M8	SUS304	
20	065-162-15	Motor Head Protect. Cover	1	AB-4	FC	
21	140-427-17	Hex.Bolt (w/Plain Washer)	2	M5x15	SUS304	
22	003-190-10	Gland	1		SUS316	
23	065-164-17	Outer Cover	1	AB-4/8	SUS304	
24	144-308-26	Stud Bolt	2	M8x25	SUS304	
25	051-133-14	Motor Head Cover	1		ADC	
26	141-028-17	Hex.Cap Nut	4	M5	SUS304	
27	142-125-18	Plain Washer	4	M5	SUS304	
28	121-249-14	Packing	1	LB-400(E)	NBR	*
29	076-000-09	Capacitor	1	120MF-125VAC(L=60)	(T)	
30	143-124-10	Pan Screw (w/Spring Washer/Plain Washer)	1	M4x6	SWRM	
31	078-102-17	Centrifugal Switch Cover	1	LB-400(E)	SECC	
32	143-124-10	Pan Screw (w/Spring Washer/Plain Washer)	2	M4x6	SWRM	
33	145-002-17	Snap Retainer	1	d10	SK5	
34	142-207-15	Finger Spring	1	d10.5	SK5	
35	077-109-11	Centrifugal Switch	1Set	MS-3-2		
36	143-076-29	Pan Screw (w/Spring Washer)	2	M3x6	SWRM	
37	143-124-10	Pan Screw (w/Spring Washer/Plain Washer)	2	M4x6	SWRM	
38	062-185-15	Bearing Fixing Plate	1	LB	SECC	
39	143-124-10	Pan Screw (w/Spring Washer/Plain Washer)	2	M4x6	SWRM	
40	142-192-16	Wave Washer	1	6201(D=32,t=0.4)	SK5	
41	052-100-15	Bearing	1	6201ZZC3		
42	016-110-16	Lead Wire Protection Bush	2	LB-400(E)	NBR	
43	143-114-17	Truss Screw	2	M4x16	SWRM	

PARTS LIST		HI VOLUME DEWATERING PUMP			8/4/2017	
ITEM	PART No.	DESCRIPTION	QTY	SIZE	MATERIAL	NOTES
44	053-157-10	Motor Protector 110V-60Hz	1	KA142-BATL47	(H)	
45	071-174-19	Spacer	2	d6x6lx0.5t	SPC	
46	143-093-19	Pan Screw	4	M5x125	SWRM	
47	143-085-34	Pan Screw (w/Spring Washer)	1	M4x6	C3604	
48	056-641-15	Stator(w/M.Frame) 110V-60Hz	1Set			
49	071-173-18	Collar	1	32l	SECC	
50	121-244-19	Packing	1	LB-400(E)	NBR	*
51	055-247-14	Rotor	1Set	w/Bearing		
52	147-016-10	Impeller Key	1	4x4x10L	SUS403	
53	061-157-15	Bearing Collar	1	d15.1xd21x1.6t	SPCC	
54	052-101-16	Bearing	1	6202ZZC3		
55	060-167-15	Bearing Housing	1		FC	
56	122-131-15	O-Ring	1	G-100(99.4xd3.1)	NBR	*
57	025-290-19	Mechanical Seal	1	W-14HL	SSiC	
58	030-116-29	Oil Ring	1	LB	Resin	
59	029-201-15	Oil Casing	1	AB-4/8	FC	
60	144-179-13	Stud Bolt	3	M6x66(17/18)	SUS304	
61	121-248-13	Packing	1	d8.2xd13.5x2t	PE	*
62	035-112-17	Oil Plug	1	M8x12	SUS304	
63	026-100-14	Oil Seal	1	SC-15287	NBR	
64	071-112-19	Shaft Sleeve	1	d11xd14.8x11l	SUS430	
65	040-100-18	Impeller Shim		d11.2xd17x0.3t	SUS304	
66	021-928-11	Impeller (60Hz)	1	100AB2.4S-61	FC	
67	142-164-19	Spring Washer	1	M10	SUS304	
68	141-006-77	Hex.Nut	1	M10	S45C	
69	047-109-21	Impeller Thread Protection Cap	1	No.11	NBR	replaces OLD item# 047-109-18
70	121-194-13	Packing	1	d220x3t	NBR	*
71	020-575-16	Pump Casing	1	AB-4/8(SUS)	FC	
72	142-126-19	Plain Washer	3	M6	SUS304	
73	141-004-17	Hex.Nut	3	M6	SUS304	
74	023-294-17	Strainer	1	AB-4	SPC	
75	049-150-10	Bottom Plate	1	AB-4	SPC	
76	142-127-10	Plain Washer	3	M8	SUS304	
77	140-062-10	Hex.Bolt	3	M8x60	SUS304	
	032-267-19	Hose Coupling	1	NPT-4(AB)	SS	
	173-128-17	Packing O-Ring Set	1Set	(Marked by *)		
15	142-225-19	Seal Washer (Pump Head Cover Bolt)	3	W-6	SPC+NBR	*
16	121-194-13	Packing (Pump Head Cover/Out.Cover)	1	d220x3t	NBR	*
28	121-249-14	Packing (Motor Head Cover/M.Frame)	1	LB-400(E)	NBR	*
50	121-244-19	Packing (M.Frame/Brg.Housing)	1	LB-400(E)	NBR	*
56	122-131-15	O-Ring (Brg.Housing/O.Casing)	1	G-100(99.4xd3.1)	NBR	*
61	121-248-13	Packing (Oil Plug)	1	d8.2xd13.5x2t	PE	*
70	121-194-13	Packing (Out.Cover/P.Casing)	1	d220x3t	NBR	*
		Lubricant		Turbine Oil VG32 160ml		

PARTS LIST		HI VOLUME DEWATERING PUMP			8/4/2017	
ITEM	PART No.	DESCRIPTION	QTY	SIZE	MATERIAL	NOTES

EXPLODED VIEW

100AB2.4S-51/61(100AB2.4S-50/60)



管理no. C-01297-1