

PARTS LIST		SUBMERSIBLE CUTTER PUMP			8/5/2016	
ITEM	PART No.	DESCRIPTION	QTY	SIZE	MATERIAL	NOTES
1	009-127-14	Terminal	4	R-1.25-4	CU	
2	140-018-11	Hex.Bolt	3	M5x15	SUS304	
3	142-422-18	Seal Washer	3	PM-5	SUS+NBR	
4	003-111-20	Gland	1		SUS304	
5	001-812-22	Cabyre Cable Set (32') 460V-60Hz(USA)	1	2PNCT4Cx1.25mm2	BE/CE	
6	009-274-17	Compression type Terminal	4	TMNB-2(Insulated)		
7	009-107-18	Terminal	7	R-14-6	CU	**included in ITEM 12 cable assy **included in ITEM 20 cable assy
8	070-107-18	Cable Clamp	2		FC	**included in ITEM 12 cable assy **included in ITEM 20 cable assy
9	140-035-14	Hex.Bolt	4	M6x20	SUS304	**included in ITEM 12 cable assy **included in ITEM 20 cable assy
10	140-488-16	Hex.Bolt (w/Spring Washer)	8	M8x30	SUS304	
11	006-127-15	Stuffing Box	2	No.3	FC	**included in ITEM 12 cable assy **included in ITEM 20 cable assy
12	001-007-76	Cabyre Cable Set (32') 460V-60Hz (USA)	1	2PNCT4Cx14mm2	No.3	
13	008-147-17	Mould Cover	1	KR3-9	CR	**included in ITEM 12 cable assy
14	140-029-28	Hex.Bolt	7	M6x10	SWRM	
15	009-107-18	Terminal	6	R-14-6	CU	
16	009-107-18	Terminal	7	R-14-6	CU	
17	141-004-59	Hex.Nut	7	M6	SWRM	
18	002-115-18	Heat Shrink Tube (Sold per meter)	m	EVA(d16.5x1t)	(V/m)	
19	002-116-19	Heat Shrink Tube (Sold per meter)	m	A4(d20x0.35t)	(V/m)	
20	001-007-77	Cabyre Cable Set (32') 460V-60Hz (USA)	1	2PNCT3Cx14mm2	No.3	
21	008-150-13	Mould Cover 460V-60Hz(USA)	1	KR3-12	CR	**included in ITEM 20 cable assy
22	143-041-12	Pan Screw	1	M6x8	SWRM	
23	142-162-33	Spring Washer	1	M6	SWRH	
24	009-106-17	Terminal	2	R-8-6	CU	
25	072-103-23	Eye Bolt	2	M24	SUS304	
26	035-102-30	Air Tightness Test Plug	1	M12x16(B=21)	SUS304	
27	122-259-10	O-Ring	1	12xd3	NBR	*
28	140-099-16	Hex.Bolt	6	M12x40	SUS304	
29	142-165-10	Spring Washer	6	M12	SUS304	
30	050-000-59	Motor Bracket	1		FC	
31	122-158-18	O-Ring	1	G-270(269.3xd5.7)	NBR	*
32	142-000-55	Wave Washer	1	MJA6167Z-C 22KW-2P	SK5	
33	052-111-19	Bearing	1	6308ZZC3		
34	122-129-10	O-Ring	1	G-90(89.4xd3.1)	NBR	*
35	058-000-19	Lead Wire Protection Plate	1	MJA6167Z-C 22KW-2P	SPHC	
36	009-000-99	Terminal Piece	3	MJA6167Z-C 22KW-2P	SBR	
37	055-001-65	Rotor	1Set	MJA6167Z-C 22KW-2P		
38	147-000-35	Impeller Key	1	16x10x63	SUS304	

PARTS LIST		SUBMERSIBLE CUTTER PUMP				8/5/2016
ITEM	PART No.	DESCRIPTION	QTY	SIZE	MATERIAL	NOTES
39	053-309-19	Motor Protector	3	9700K-46-215	(H)	
40	056-004-90	Stator 460V-60Hz(USA)	1Set	MJA6167Z-C 22KW-2P 460V		
41	140-100-11	Hex.Bolt	6	M12x45	SUS304	
42	142-165-10	Spring Washer	6	M12	SUS304	
43	064-000-91	Motor Frame	1		FC	
44	142-292-17	Seal Washer	1	W-8	SPC+NBR	
45	144-000-45	Screw	1	MJA6135Z-C 15KW-2P	SUS304	
46	122-158-18	O-Ring	1	G-270(269.3xd5.7)	NBR	*
47	140-054-48	Hex.Bolt	4	M8x20	SWRM	
48	142-163-34	Spring Washer	4	M8	SWRH	
49	062-000-07	Bearing Cover	1		SS	
50	052-145-12	Bearing	1Set	6314ZZD2C3		
51	146-039-16	Retaining Ring	1	C70	SK5	
52	060-001-09	Bearing Housing	1		FC	
53	090-112-18	Leakage Sensor(Float)	1	OLV-5-2(B)		
54	142-297-12	Seal Washer	1	SM-10	SUS+NBR	
55	026-116-13	Oil Seal	1	TC-659013	NBR	
56	122-160-13	O-Ring	1	G-290(289.3xd5.7)	NBR	*
57	035-113-18	Drain Plug	1	M12x14	SUS304	
58	121-247-12	Packing	1	d12.3xd18x2t	PE	*
59	029-000-80	Casing Cover	1	TOS100C222-CR-61	FC	
60	142-165-10	Spring Washer	6	M12	SUS304	
61	140-101-12	Hex.Bolt	6	M12x50	SUS304	
62	122-159-19	O-Ring	1	G-280(279.3xd5.7)	NBR	*
63	121-247-12	Packing	2	d12.3xd18x2t	PE	*
64	035-113-18	Oil Plug	2	M12x14	SUS304	
65	025-000-51	Mechanical Seal	1	H-60	SiC	interchangable with OLD part# 025-199-17
66	143-028-13	Pan Screw	3	M5x10	SWRM	
67	030-134-10	Oil Lifter	1	H-60	SPCC	
68	122-256-17	O-Ring	1	390xd5.7	NBR	*
69	029-000-81	Oil Casing	1	TOS100C222-CR-61	FC	
70	140-128-15	Hex.Bolt	6	M16x60	SUS304	
71	142-166-11	Spring Washer	6	M16	SUS304	
72	035-113-18	Drain Plug	1	M12x14	SUS304	
73	121-247-12	Packing	2	d12.3xd18x2t	PE	*
74	142-000-23	Spring Washer	6	M16(CP)	SUS304	
75	140-317-13	Hex. Socket Cap Bolt	6	M16x40	SUS304	
76	029-000-82	Casing Plate	1	TOS100C222-CR-61	FC	

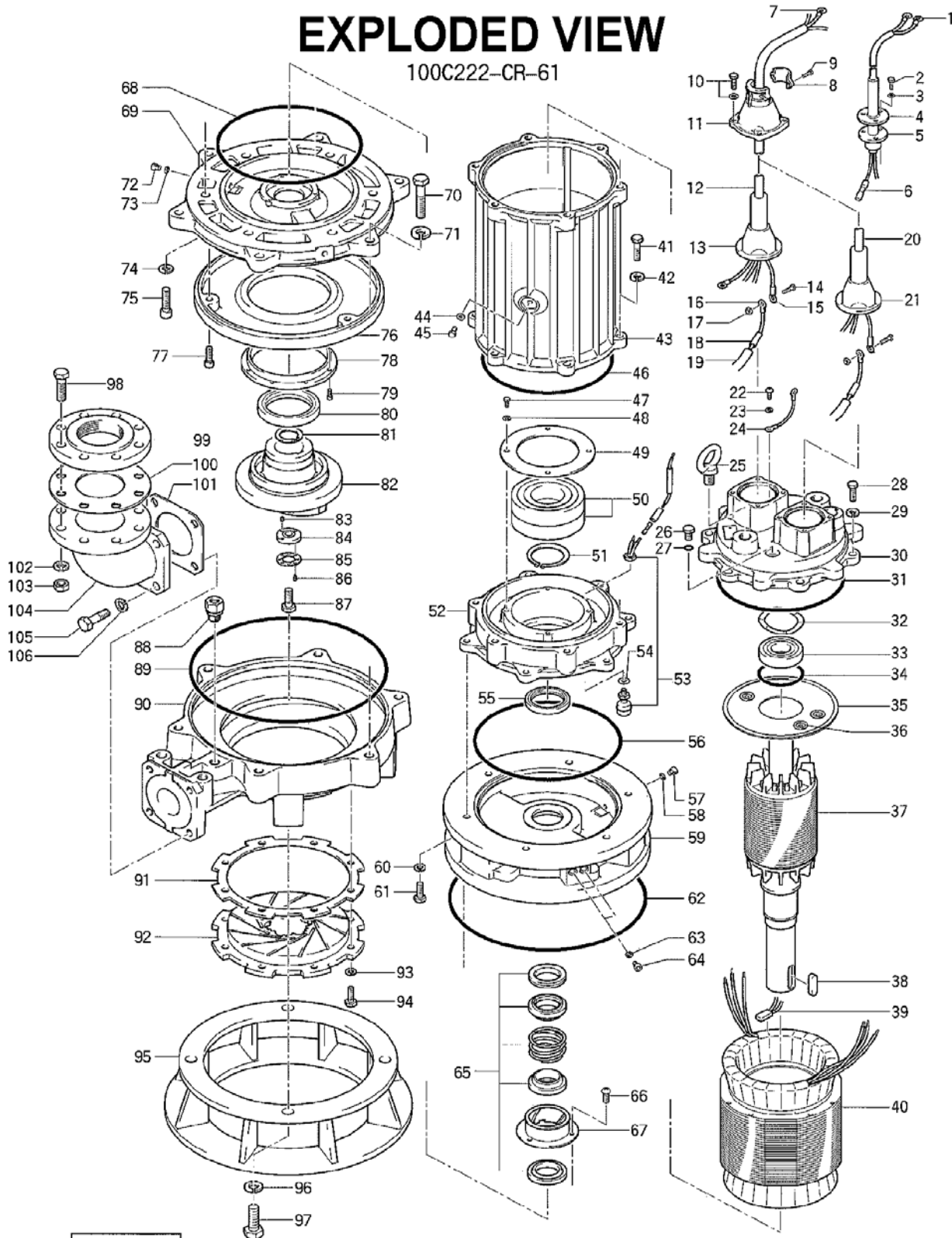
PARTS LIST		SUBMERSIBLE CUTTER PUMP			8/5/2016	
ITEM	PART No.	DESCRIPTION	QTY	SIZE	MATERIAL	NOTES
77	140-286-12	Hex. Socket Cap Bolt	3	M10x30	SUS304	
78	031-000-14	Wear Ring	1	TOS100C222-CR-61	SCS14	
79	140-233-14	Hex. Socket Cap Bolt	8	M5x12	SUS304	
80	026-229-10	Oil Seal	1	TC-10012513	NBR	
81	040-112-13	Impeller Shim		d37.5xd56x0.3t	SUS304	
82	021-007-60	Impeller (60Hz)	1	100C222-CR-61	HiCrFC	diameter= 220mm
83	145-035-19	Taper Pin	1	5x10	SUS304	
84	142-431-10	Impeller Fixing Washer	1	d18xd65x11t(w/Pin)	SUS304	
85	217-020-17	Fixing Plate	1	d60x3t M16(B=24)	SUS304	
86	140-232-13	Hex. Socket Cap Bolt	2	M5x10	SUS304	
87	140-128-15	Hex.Bolt	1	M16x60	SUS304	
88	046-000-03	Air Release Valve	1	PT-1/2	SUS304	
89	122-258-19	O-Ring	1	395xd5	NBR	*
90	020-002-17	Pump Casing	1	TOS100C222-CR-61	FC	
91	120-000-19	Packing (S.Cover)		100C222-CR-61	PE	
92	022-001-72	Suction Cover	1	100C222-CR-61	HiCrFC	
93	142-165-10	Spring Washer	8	M12	SUS304	
94	140-098-15	Hex.Bolt	8	M12x35	SUS304	
95	023-000-83	Pump Stand	1	100C222-CR-61	SS	
96	142-168-13	Spring Washer	4	M20	SUS304	
97	140-147-10	Hex.Bolt	4	M20x45	SUS304	
98	140-000-56	Hex.Bolt	8	M16x75	SWRM	
99	048-139-10	Screwed Flange	1	NPT-4(JIS10K)	FC	
100	121-106-34	Packing	1	JIS10Kx100mm	NR	*
101	121-153-10	Packing	1	160mm2(P.C.165)	NBR	*
102	142-166-37	Spring Washer	8	M16	SWRH	
103	141-008-11	Hex.Nut	8	M16	SUS304	
104	037-000-32	Discharge Bend	1	100x100mm(S-4)	FC	
105	140-124-11	Hex.Bolt	4	M16x40	SUS304	
106	142-166-11	Spring Washer	4	M16	SUS304	
		Guide Rail Assembly				Specific to 100C222
	093-161-11	Guide Hook	1	TOS-100F	FCD	
	140-151-17	Hex.Bolt	2	M20x65	SUS304	
	142-168-13	Spring Washer	2	M20	SUS304	
	091-000-40	Duck Foot Bend	1	TOS-100HF	FC	
	144-167-18	Foundation Bolt	4	M16x120	SS	
	142-130-29	Plain Washer	4	M16	SPC	
	141-008-66	Hex.Nut	4	M16	SWRM	

PARTS LIST		SUBMERSIBLE CUTTER PUMP			8/5/2016	
ITEM	PART No.	DESCRIPTION	QTY	SIZE	MATERIAL	NOTES
	096-107-18	Guide Connector	2	51mm	SUS	
	140-103-14	Hex.Bolt	2	M12x60	SUS304	
	142-165-10	Spring Washer	2	M12	SUS304	
	094-210-19	Guide Support	1	TOS-100C	SUS304	
	140-099-16	Hex.Bolt	2	M12x40	SUS304	
	141-007-10	Hex.Nut	2	M12	SUS304	
	142-129-12	Plain Washer	2	M12	SUS304	
	173-003-10	Packing O-Ring Set	1Set	(Marked by *)		
27	122-259-10	O-Ring (Air Tightness Test Plug)	1	12xd3	NBR	*
31	122-158-18	O-Ring (M.Bracket/M.Frame)	1	G-270(269.3xd5.7)	NBR	*
34	122-129-10	O-Ring (Upp. Bearing)	1	G-90(89.4xd3.1)	NBR	*
44	142-292-17	Seal Washer (Stator Set Bolt)	1	W-8	SPC+NBR	*
46	122-158-18	O-Ring (M.Frame/Brq.Housing)	1	G-270(269.3xd5.7)	NBR	*
54	142-297-12	Seal Washer (Leakage Sensor(Float))	1	SM-10	SUS+NBR	*
56	122-160-13	O-Ring (Brq.Housing/Casing Cover)	1	G-290(289.3xd5.7)	NBR	*
58	121-247-12	Packing (Drain Plug)	1	d12.3xd18x2t	PE	*
62	122-159-19	O-Ring (Casing Cover/O.Casing)	1	G-280(279.3xd5.7)	NBR	*
63	121-247-12	Packing (Oil Plug)	2	d12.3xd18x2t	PE	*
68	122-256-17	O-Ring (Casing Cover/O.Casing)	1	390xd5.7	NBR	*
73	121-247-12	Packing (Drain Plug)	1	d12.3xd18x2t	PE	*
89	122-258-19	O-Ring (O.Casing/P.Casing)	1	395xd5	NBR	*
101	121-153-10	Packing (Discharge Bend)	1	160mm2(P.C.165)	NBR	*
		Lubricant		Turbine Oil VG32 3,400ml		
		Chain & Shackle (SS)				
	095-176-28	Chain	1	9mmx5M	SS	
	011-105-13	Shackle	1	16mm	SS	
	095-250-14	Chain	1	11mm(11L)	SS	
	011-105-13	Shackle	2	16mm	SS	
		OPTIONAL SINGLE POWER CABLE				
	214-000-03	Blind Cover	1	DL-30CA	FC	
	122-128-19	O-Ring	1	G-85	NBR	
	140-029-15	Hex. Bolt	4	M6x10	SUS304	

PARTS LIST		SUBMERSIBLE CUTTER PUMP				8/5/2016
ITEM	PART No.	DESCRIPTION	QTY	SIZE	MATERIAL	NOTES

EXPLODED VIEW

100C222-CR-61



C-001142