

PARTS LIST		WASTEWATER CUTTER PUMP			12/21/2016	
ITEM	PART No.	DESCRIPTION	QTY	SIZE	MATERIAL	NOTES
1	001--	Cable Cable 32'		4Cx8mm2+2Cx2mm2	2PNCT	(Sold per meter)
2	009-106-17	Terminal	4	R-8-6	CU	
3	009-116-10	Terminal	2	R-2-4	CU	
4	006-127-15	Stuffing Box	1	No.3	FC	
5	070-107-18	Cable Clamp	1		FC	
6	140-035-14	Hex.Bolt	2	M6x20	SUS304	
7	140-055-10	Hex.Bolt	4	M8x25	SUS304	
8	008-150-13	Mould Cover	1	KR3-12	CR	
9	009-114-18	Terminal	2	PC-4020M		
10	009-115-19	Terminal	2	PC-4020F		
11	140-078-19	Hex.Bolt	4	M10x35	SUS304	
12	009-161-10	Terminal	3	B-8	CU	
13	142-164-19	Spring Washer	4	M10	SUS304	
14	002-128-14	Heat Shrink Tube (Sold per meter)	m	EVA(d10x1t)	(Vm)	
15	002-164-12	Heat Shrink Tube (Sold per meter)	m	A4(d13x0.3t)	(Vm)	
16	042-106-18	Stuffing Box Sheet	1	11kW	FC	
17	122-135-19	O-Ring	1	G-120(119.4xd3.1)	NBR	*
18	143-041-12	Pan Screw	1	M6x8	SWRM	
19	142-162-33	Spring Washer	1	M6	SWRH	
20	009-106-17	Terminal	1	R-8-6	CU	
21	072-107-14	Eye Bolt	3	M16	SS	
22	016-122-11	Lead Wire Protection Bush	1	d21xd25x34L	NBR	
23	140-099-16	Hex.Bolt	4	M12x40	SUS304	
24	142-165-10	Spring Washer	4	M12	SUS304	
25	050-374-16	Motor Bracket	1	150-15-4B	FC	
26	122-252-13	O-Ring	1	270xd3.8	NBR	*
27	058-127-16	Lead Wire Protection Plate	1	d110xd150x1t	SPC+NBR	
28	142-162-33	Spring Washer	2	M6	SWRH	
29	143-043-14	Pan Screw	2	M6x12	SWRM	
30	142-200-18	Wave Washer	1	#6308	SK5	
31	052-111-19	Bearing	1	6308ZZC3		
32	055-590-15	Rotor	1set	250-11-6B2		
33	147-034-14	Impeller Key	1	12x8x75L (R)	SUS420	
34	053-305-15	Motor Protector	3	9700K-01-215 (H)		
35	056-514-18	Stator	1set	230V		
	056-853-12	Stator	1set	460V		
	056--	Stator	1set	575V		
36	064-129-20	Motor Frame	1	110-BL	FC	
37	122-253-14	O-Ring	1	245xd3.8	NBR	*
38	061-142-17	Bearing Collar	1	d50xd70x3t	SPC	
39	140-052-33	Hex.Bolt	4	M8x16	SWRM	
40	062-158-19	Bearing Fixing Plate	1	d95xd144x4.5t	SPCC	

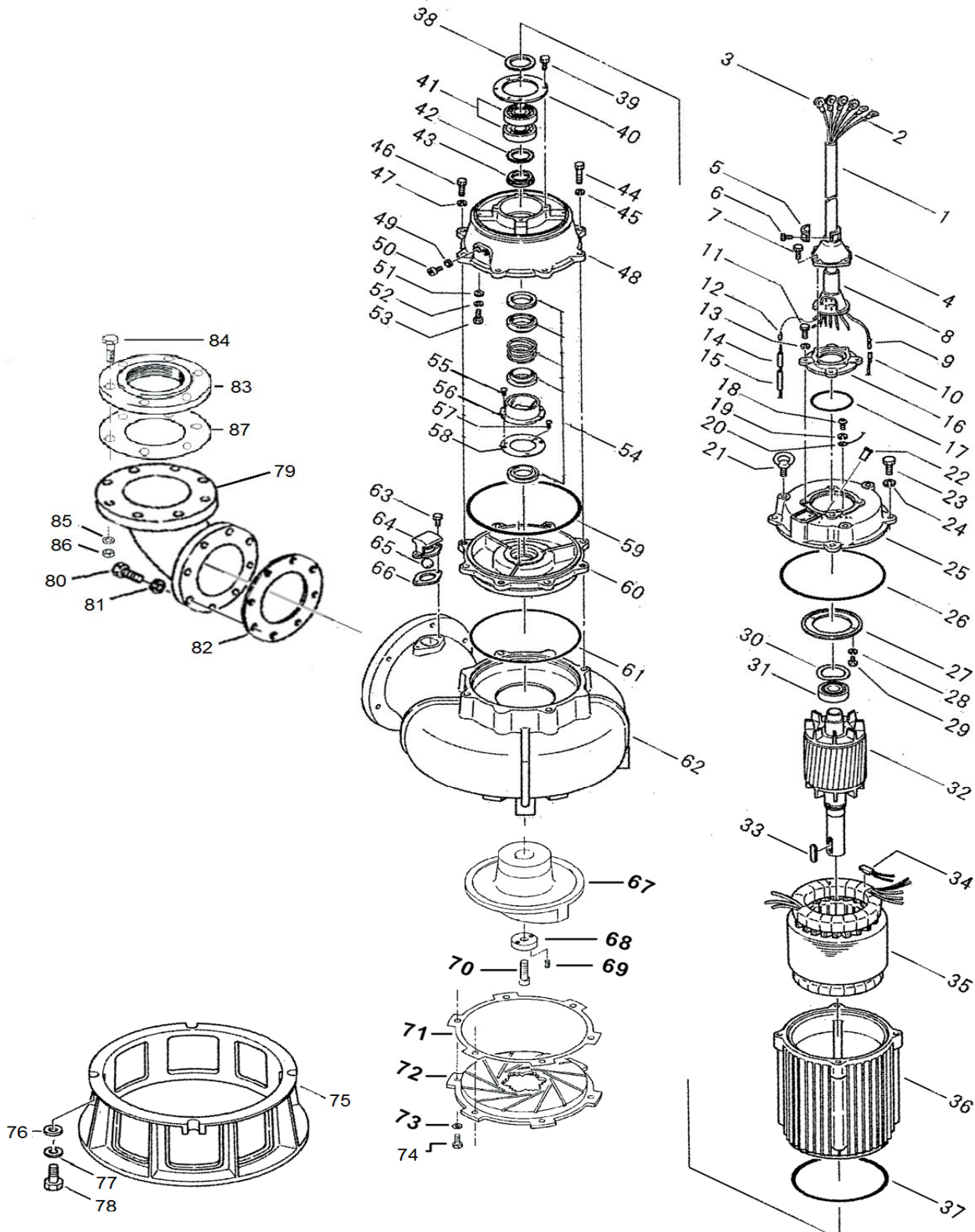
PARTS LIST		WASTEWATER CUTTER PUMP			12/21/2016	
ITEM	PART No.	DESCRIPTION	QTY	SIZE	MATERIAL	NOTES
41	052-141-18	Bearing	1set	6310ZZD2C3		
42	142-243-13	Bearing Washer	1	AW10	SPCC	
43	141-075-19	Bearing Nut	1	AN10	SS	
44	140-104-15	Hex.Bolt	4	M12x65	SUS304	
45	142-165-10	Spring Washer	4	M12	SUS304	
46	140-099-16	Hex.Bolt	4	M12x40	SUS304	
47	142-165-10	Spring Washer	4	M12	SUS304	
48	060-365-15	Bearing Housing	1	150-15-4B	FC	
49	121-247-12	Packing	2	d12.3xd18x2t	PE	*
50	035-113-18	Oil Plug	2	M12x14	SUS304	
51	121-341-17	Packing	4	d12xd21x4t	NBR	*
52	142-129-25	Plain Washer	4	M12	SPC	
53	140-101-38	Hex.Bolt	4	M12x50	SWRM	
54	025-000-62	Mechanical Seal	1	H-45X(E)	SIC	
55	143-070-23	Pan Screw	2	M5x6	SWRM	
56	030-140-19	Oil Lifter	1	H-45	Resin	
57	143-070-10	Pan Screw	3	M5x6	SWRM	
58	030-149-18	Seal Stopper	1	H-40/45	SPCC	
59	122-160-13	O-Ring	1	G-290(289.3xd5.7)	NBR	*
60	029-271-16	Oil Casing	1	200/250-15-4B2	FC	
61	122-160-13	O-Ring	1	G-290(289.3xd5.7)	NBR	*
62	020-003-23	Pump Casing	1	150C611	FC	
63	140-052-17	Hex.Bolt	2	M8x16	SUS304	
64	046-000-05	Air Release Valve	1	GSZ/NKZ/B	SPCC	
65	203-017-18	Ball (Air valve)	1	d28	NBR	
66	121-151-18	Packing	1	P.C.80xd50	CR	*
67	021-150-11-6C	Impeller (60Hz)	1	300B615-61	FC	
68	142-331-19	Impeller Washer	1	d18xd61x25t	SUS304	
69	144-501-18	Hex.Socket Set Screw	2	M10x20	SUS304	
70	140-321-10	Hex.Socket Cap Bolt	1	M16x60	SUS304	
71	120--	Suction Cover Packing	1		PE	
72	022-11(15)-6C	Suction Cover	1		FC	
73	142-165-10	Spring Washer	8	M12	SUS304	
74	140-100-11	Hex.Bolt	8	M12x45	SUS304	
75	023-508-17	Pump Stand	1	370-BH2	FCD	
76	142-131-17	Plain Washer	4	M20	SUS304	
77	142-168-13	Spring Washer	4	M20	SUS304	
78	140-149-12	Hex.Bolt	4	M20x55	SUS304	
79	037-119-10	Discharge Bend(For 150mm)	1	150x150mm	FC	
80	140-127-14	Hex.Bolt	8	M16x55	SUS304	
81	142-166-11	Spring Washer	8	M16	SUS304	
82	121-165-28	Packing	1		NBR	

PARTS LIST		WASTEWATER CUTTER PUMP			12/21/2016	
ITEM	PART No.	DESCRIPTION	QTY	SIZE	MATERIAL	NOTES
83	048-000-51	Screwed Flange	1	NPT-6(JIS10K)	FC	
84	140-155-24	Hex.Bolt	8	M20x85	SWRM	
85	141-009-12	Hex.Nut	8	M20	SUS304	
86	142-168-26	Spring Washer	8	M20	SWRH	
87	121-108-23	Packing	1	JIS10Kx150mm	NR	
	173-150C611	Packing O-Ring Set	1Set	(Marked by *)		
17	122-135-19	O-Ring (S.Box Seat)	1	G-120(119.4xd3.1)	NBR	*
26	122-252-13	O-Ring (M.Bracket/M.Frame)	1	270xd3.8	NBR	*
37	122-253-14	O-Ring (M.Frame/B.Housing)	1	245xd3.8	NBR	*
49	121-247-12	Packing (Oil Plug)	2	d12.3xd18x2t	PE	*
51	121-341-17	Packing (B.Housing Bolt)	4	d12xd21x4t	NBR	*
59	122-160-13	O-Ring (B.Housing/O.Casing)	1	G-290(289.3xd5.7)	NBR	*
61	122-160-13	O-Ring (O.Casing/P.Casing)	1	G-290(289.3xd5.7)	NBR	*
66	121-151-18	Packing (Air Release Valve)	1	P.C.80xd50	CR	*
		Lubricant		Turbine Oil VG32 6,000ml		

PARTS LIST		WASTEWATER CUTTER PUMP			12/21/2016	
ITEM	PART No.	DESCRIPTION	QTY	SIZE	MATERIAL	NOTES

EXPLODED VIEW

150C611-CR-61



* Indicates items included in set