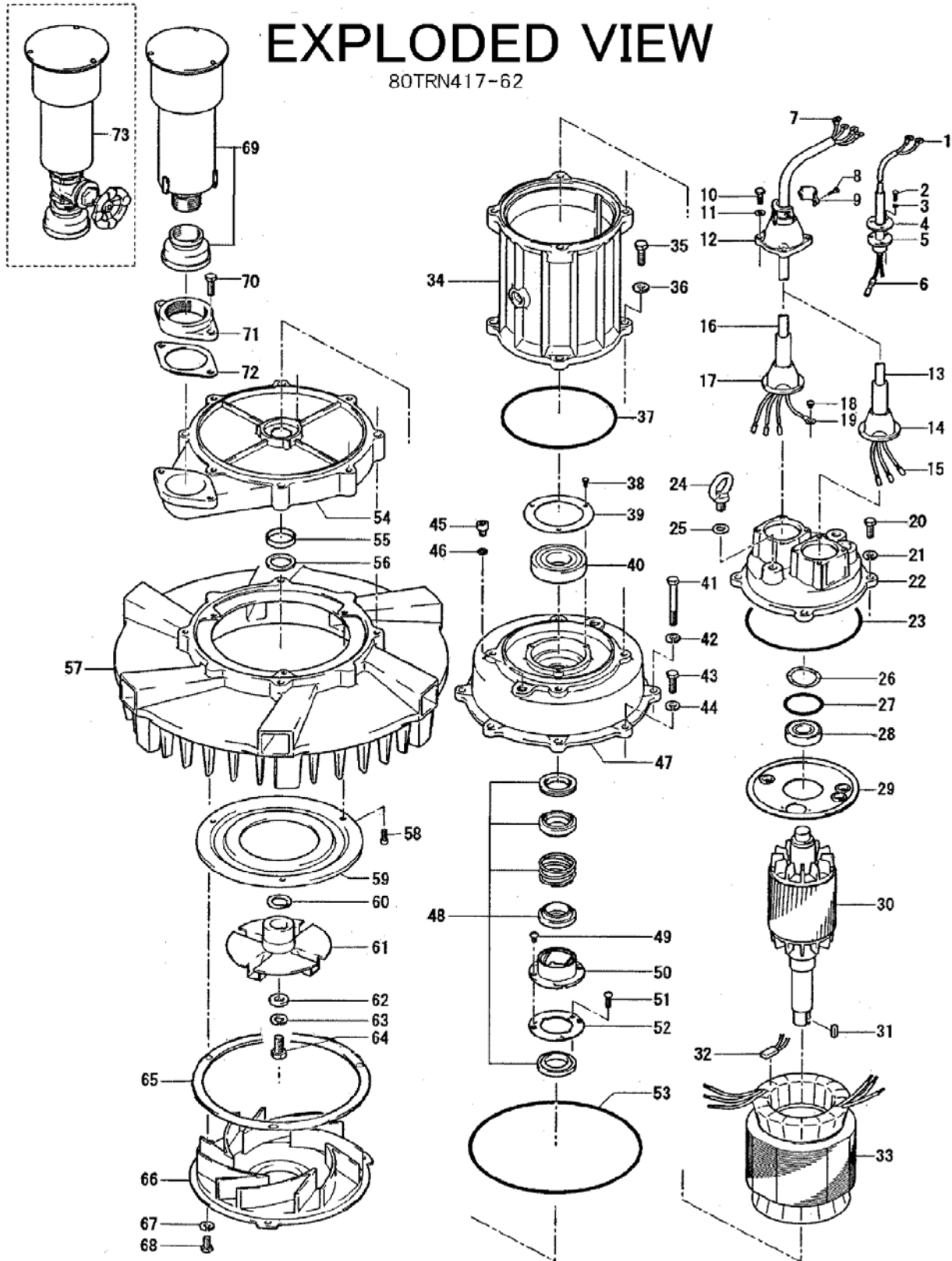


PARTS LIST		SUBMERSIBLE AERATOR			8/6/2015	
ITEM	PART No.	DESCRIPTION	QTY	SIZE	MATERIAL	NOTES
1	009-116-10	Terminal	2	R-2-4	CU	
2	140-018-11	Hex.Bolt	3	M5x15	SUS304	
3	142-422-18	Seal Washer	3	PM-5	SUS+NBR	
4	003-111-20	Gland	1		SUS304	
5	001-005-66	Cabtyre Cable Set (32') 60Hz (USA)	1	2PNCT2Cx1.25mm2	BE/CE	control cable (motor protector)
6	009-274-17	Compression type Terminal	2	TMNB-2(Insulated)		
7	009-131-11	Terminal	7	R-5.5-6	CU	
8	140-035-14	Hex.Bolt	4	M6x20	SUS304	
9	070-107-18	Cable Clamp	2		FC	
10	140-055-10	Hex.Bolt	8	M8x25	SUS304	
11	142-163-18	Spring Washer	8	M8	SUS304	
12	006-126-14	Stuffing Box	2	No.2	FC	
13	001-939-26	Cabtyre Cable Set (32') 60Hz (USA)	1	2PNCT3Cx5.5mm2	KR-2	power cable 1
14	008-136-13	Mould Cover	1	KR2-1	CR	
15	009-276-19	Compression type Terminal	6	TMNB-5.5(Insulated)		
16	001-938-25	Cabtyre Cable Set (32') 60Hz (USA)	1	2PNCT4Cx5.5mm2	KR-2	power cable 2 (with ground)
17	008-143-13	Mould Cover	1	KR2-8	CR	
18	143-085-21	Pan Screw (w/Spring Washer)	1	M4x6	SWRM	
19	009-130-10	Terminal	1	R-5.5-4	CU	
20	140-098-15	Hex.Bolt	4	M12x35	SUS304	
21	142-165-10	Spring Washer	4	M12	SUS304	
22	050-438-19	Motor Bracket	1		FC	
23	122-173-19	O-Ring	1	V-225(222.5xd6)	NBR	*
24	072-125-21	Eye Bolt	2	M20	SUS304	
25	142-401-11	Washer		d21xd34x0.1t	SUS304	
	142-402-12	Washer		d21xd34x0.3t	SUS304	
26	142-000-08	Wave Washer	1	6306B(d71xd59x4.0t)	SK5	
27	122-245-13	O-Ring	1	71.4xd3.1	NBR	*
28	052-109-14	Bearing	1	6306ZZC3		
29	058-000-09	Lead Wire Protection Plate	1	d86xd224x1.6t	SPHC	
30	055-000-75	Rotor	1Set			
31	147-067-16	Impeller Key	1	10x8x32l	SUS420	
33	056-B96-10	Stator 230V-60Hz(USA)	1Set			
33	056-B97-11	Stator 460V-60Hz(USA)	1Set			
34	064-000-42	Motor Frame	1		FC	
35	140-100-11	Hex.Bolt	4	M12x45	SUS304	
36	142-165-10	Spring Washer	4	M12	SUS304	
37	122-173-19	O-Ring	1	V-225(222.5xd6)	NBR	*
38	140-032-37	Hex.Bolt	3	M6x15	SWRM	
39	062-224-17	Bearing Fixing Plate	1	d98xd140x4.5t	SS	
40	052-113-11	Bearing	1	6310ZZC3		
41	140-112-16	Hex.Bolt	4	M12x110	SUS304	
42	142-165-10	Spring Washer	4	M12	SUS304	
43	140-099-16	Hex.Bolt	4	M12x40	SUS304	

PARTS LIST		SUBMERSIBLE AERATOR			8/6/2015	
ITEM	PART No.	DESCRIPTION	QTY	SIZE	MATERIAL	NOTES
44	142-165-10	Spring Washer	4	M12	SUS304	
45	035-113-18	Oil Plug	2	M12x14	SUS304	
46	121-247-12	Packing	2	d12.3xd18x2t	PE	*
47	060-000-44	Bearing Housing	1		FC	
48	025-000-62	Mechanical Seal	1	H-45X	SiC	changed from 025-197-15 by TB M63-003
49	143-070-23	Pan Screw	2	M5x6	SWRM	
50	030-140-19	Oil Lifter	1	H-45	Resin	
51	143-070-10	Pan Screw	3	M5x6	SWRM	
52	030-149-18	Seal Stopper	1	H-40/45	SPCC	
53	122-265-19	O-Ring	1	335xd5.7	NBR	*
54	018-000-01	Air Passage	1	80TR415-51/61	FC	
55	026-000-07	Distance Piece	1	80TR415-51/61	SS	
56	026-197-18	Oil Seal	1	VC-45686	NBR	
57	019-000-17	Guide Vane	1	80TRN47.5/11	FC	
58	140-000-55	Hex.Socket Cap Bolt	3	M10x20	SUS304	
59	028-000-33	Middle Plate	1	80TRN415-52/62	SCS1	
60	040-112-13	Impeller Shim		d37.5xd56x0.3t	SUS304	
61	021-007-38	Impeller (60Hz)	1	80TRN417-62	SCS1	
62	142-101-18	Impeller Fixing Washer	1	d17xd50x6t	SUS304	
63	142-166-11	Spring Washer	1	M16	SUS304	
64	140-125-12	Hex.Bolt	1	M16x45	SUS304	
65	120-000-18	Packing		P.C360(d335xd388)	PE	*
66	022-001-60	Suction Cover (60Hz)	1	80TRN417-62	SCS1	
67	142-165-10	Spring Washer	3	M12	SUS304	
68	140-096-13	Hex.Bolt	3	M12x25	SUS304	
69	215-000-08	Silencer Socket Set	1Set	TRN47.5/11-52/62	FCMB	
70	140-099-16	Hex.Bolt	2	M12x40	SUS304	
71	048-137-18	Screwed Flange	1	NPT-3(P.C.140)	FC	
72	121-137-18	Packing	1	MBT(P.C.140)	NBR	
73	215-107-26	Silencer & Valve Set	1Set	75/150-TR(PF-3)	CAC40	
	173-000-70	<b>Packing O-Ring Set</b>	1Set	(Marked by *)		
23	122-173-19	O-Ring (M.Bracket/M.Frame)	1	V-225(222.5xd6)	NBR	*
27	122-245-13	O-Ring (Upp. Bearing)	1	71.4xd3.1	NBR	*
37	122-173-19	O-Ring (M.Frame/Brg.Housing)	1	V-225(222.5xd6)	NBR	*
46	121-247-12	Packing (Oil Plug)	2	d12.3xd18x2t	PE	*
53	122-265-19	O-Ring (Brg.Housing/Air Passage)	1	335xd5.7	NBR	*
71	121-137-18	Packing (Screwed Flange)	1	MBT(P.C.140)	NBR	*
		Lubricant		Turbine Oil VG32 6,000ml		
		<b>Chain&amp;Shackle (SUS)</b>				
	095-176-15	Chain	1	9mmx5M	SUS304	
	011-133-10	Shackle	1	10mm	SUS304	
	095-206-15	Chain	1	9mm(7L)	SUS304	
	011-133-10	Shackle	2	10mm	SUS304	

PARTS LIST		SUBMERSIBLE AERATOR				8/6/2015
ITEM	PART No.	DESCRIPTION	QTY	SIZE	MATERIAL	NOTES



C-01054-1