

PARTS PRICE LIST FOR KRS-1437 (575V/60HZ)

ITEM NO.	PARTS NO.	DESCRIPTION	Q'TY	SPECIFICATION/MATERIALS	List Price (US\$)
1/6		POWER CABLE (W/STUFFING BOX)	1	2PNCCT•F 6c X 30sq 1c X 22sq X15m 3c X 2sq	5,757.20
20A	02087317	UPPER PUMP CASING	1	GRAY IRON CASITNG	3,611.20
20B	02087418	LOWER PUMP CASING	1	GRAY IRON CASITNG	3,108.00
21	021F8815	IMPELLER	1	CHROMIUM IRON CASITNG	7,000.40
22	02267816	SUCTION COVER	1	CHROMIUM IRON CASITNG	3,108.00
23	02343613	STRAINER STAND	1	STRUCTURE STEEL	2,442.00
25	02519917	MECHANICAL SEAL	1	H-60	1,448.90
26A	02611512	UPPER OIL SEAL	1	TC808212	19.20
26B	02611815	LOWER OIL SEAL	1	TC709513	21.90
28	02815116	SEAL HOUSING	1	GRAY IRON CASITNG	618.60
35	03510227	OIL PLUG	2	STAINLESS STEEL 403	11.80
36		LUBRIGANT		TURBINE OIL (ISO VG 32)	
48	04823517	FITTING FLANGE	1	STRUCTURE STEEL	1,127.80
50	05034710	MOTOR BRACKET	1	GRAY IRON CASITNG	6,837.60
52A	05211311	UPPER BEARING	1	6310ZZC3	68.20
52B	05214411	LOWER BEARING	1	6313ZZD2C3	374.40
53	05330616	MOTOR PROTECTOR	3		18.80
54/55		ROTOR (W/SHAFT)	1	STAINLESS STEEL 420 (SHAFT)	9,472.00
56		STATOR	1		12,432.00
60	06034913	BEARING HOUSING	1	GRAY IRON CASITNG	5,017.20
64		MOTOR FRAME	1	GRAY IRON CASITNG	6,674.80
65	06522113	OUTER COVER	1	STRUCTURE STEEL	1,302.40
71	07118311	SHAFT SLEEVE	1	STAINLESS STEEL 304	179.10
90	09010619	LEAKAGE SENSOR ELECTRODE	1	STRUCTURE STEEL	65.10
201	20102816	LID	1	STRUCTURE STEEL	230.90
*		P/O SET	1 SET		To be confirmed

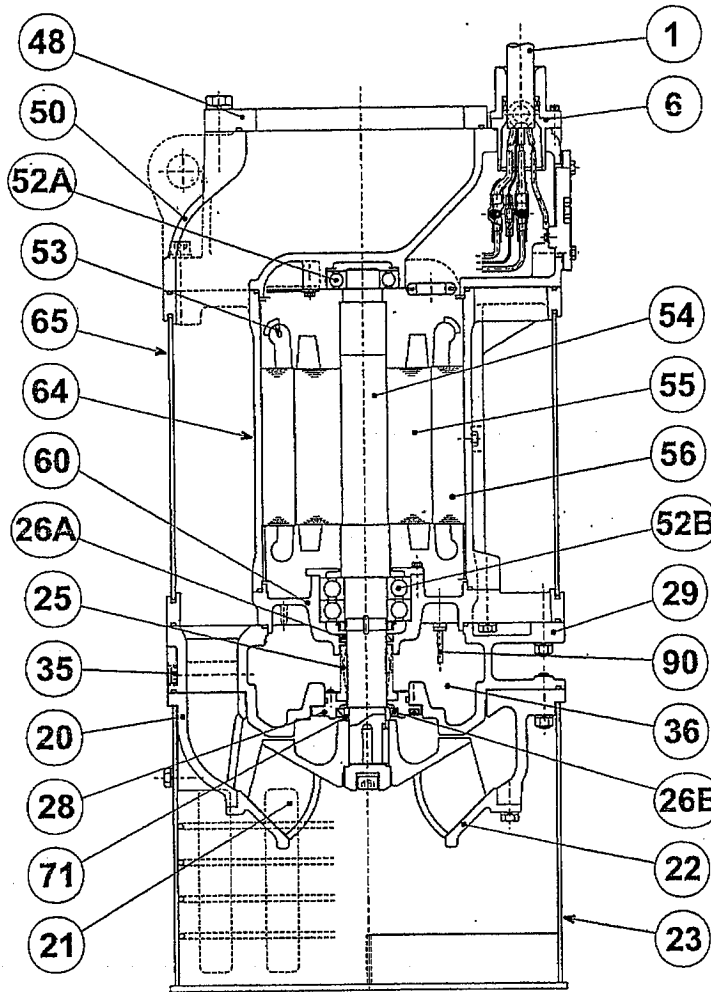
Jun. 01



KRS - SERIES
HIGH VOLUME - DEWATERING PUMPS

SECTIONAL VIEW

KRS-1437



ITEM#	DESCRIPTION	MAIN MATERIAL / NOTE	ASTM, AISI CODE	RELATED DIN CODE	Q'TY
1	Power Cable	Chloroprene Sheath AWG 2/6 , 4/1 , 14/3 -50ft			1
6	Stuffing Box	Cast Iron	A48 Class 35	1691/GG20	1
20A	Upper Pump Casing	Cast Iron	A48 Class 35	1691/GG20	1
20B	Lower Pump Casing	Cast Iron	A48 Class 35	1691/GG20	1
21	Impeller	High Chrome Cast Iron	A532 93d Class III Type A	1695;1977	1
22	Suction Cover	High Chrome Cast Iron	A532 93d Class III Type A	1695;1977	1
23	Suction Strainer	Steel	A283 Grade D	17100 RSt 46-2	1
25	Mechanical Seal	Silicon Carbide / H-60			1
26A	Oil Seal	Nitrile Butadiene Rubber / TC-608212			1
26B	Oil Seal	Nitrile Butadiene Rubber / TC-709513			1
28	Seal Housing	Cast Iron	A48 Class 40	1691/GG25	1
35	Oil Plug	Stainless Steel	AISI 403	17440 X15 Cr 13	2
36	Lubricant	Turbine Oil ISO VG32 or SAE10W/20W			1
48	Companion Flange	Steel / 14"	A283 Grade D	17100 RSt 46-2	1
50	Motor Head Cover	Cast Iron	A48 Class 35	1691/GG20	1
52A	Upper Bearing	#6310ZZC3			1
52B	Lower Bearing	#6313ZZD2C3			1 set
53	Motor Protector				3
54	Shaft	Stainless Steel	AISI 420	17440 X20 Cr 13	1
55	Rotor				1
56	Stator				1
60	Bearing Housing	Cast Iron	A48 Class 35	1691/GG20	1
64	Motor Housing	Cast Iron	A48 Class 35	1691/GG20	1
65	Outer Cover	Steel	A283 Grade D	17100 RSt 46-2	1
71	Shaft Sleeve	Stainless Steel	AISI 304	17440 X5 CrNi 18-9	1
90	Leakage Sensor Electrode	Stainless Steel	AISI 420	17440 X20 Cr 13	1