

PARTS LIST		HI-VOLUME DEWATERING PUMP			11/8/2019	
ITEM	PART No.	DESCRIPTION	QTY	SIZE	MATERIAL	NOTES
1	140-080-14	Hex.Bolt	4	M10x45	SUS304	
2	142-164-19	Spring Washer	4	M10	SUS304	
3	070-117-11	L-Shape Fitting	1	40x25x4.5t d13Hole	SPC	
4	068-000-02	Handle	1	KTZ47.5/67.5	SGP+SS	
5	001-842-34	Cabtyre Cable Set (50') (USA)	1	2PNCTF4Cx5.5mm2	KTZ	10AWG
6	010-122-10	Cable Clip Rubber	1	No.2	NBR	
7	010-120-18	Cable Clip	1	No.2-1	SPC	
8	141-004-59	Hex.Nut	1	M6	SWRM	
9	140-032-37	Hex.Bolt	1	M6x15	SWRM	
10	095-000-95	Chain	1	4mm(4L)	SS	replaces OLD# 095-131-18 (3L)
11	011-110-11	Shackle	1	6mm(M8,SC)	SS	
12	140-060-18	Hex.Bolt	4	M8x50	SUS304	
13	006-167-17	Stuffing Box	1	No.1-3	FC	included in ITEM#5 Cable Ass'y
14	122-121-12	O-Ring	1	G-50(49.4xd3.1)	NBR	*
15	004-169-13	Cable Bush	1	No.3	CR	included in ITEM#5 Cable Ass'y
16	008-156-19	Mould Cover	1	No.1-3	ADC	included in ITEM#5 Cable Ass'y
17	009-129-16	Terminal	4	E (Small)	CU	included in ITEM#5 Cable Ass'y
18	009-101-12	Terminal(C/W Screw)	4	d12x(d6.6xd6.6)x25l	C3604	
19	009-123-10	Terminal	4	P-5.5	CU	
20	002-129-15	Heat Shrink Tube (Sold per meter)	m	EVA(d14x1t)	(Vm)	
21	002-132-11	Heat Shrink Tube (Sold per meter)	m	A4(d17x0.27t)	(Vm)	
22	140-000-01	Hex.Bolt	4	M10x30(B=14)	SUS304	
23	142-128-24	Plain Washer	4	M10	SPC	
24	032-162-13	Hose Coupling	1	4" NPT	FC	standard
	032-163-14	Hose Coupling OPTION	1	6" NPT	FC	OPTION
25	121-141-15	Packing	1	KRB-3/4	NBR	*
26	140-288-14	Hex.Socket Cap Bolt	1	M10x35	SUS304	
27	142-164-19	Spring Washer	1	M10	SUS304	
28	050-000-39	Motor Bracket	1		FC	
29	122-000-09	O-Ring	1	195xd3.8	NBR	*
30	053-000-03	Motor Protector 220V-60Hz(USA)	1	KA314-HLDL00	(B.C)	
	053-000-16	Motor Protector 440V-60Hz(USA)	1	KA314-HKBL00	(B.C)	
	053-506-18	Motor Protector 575V-60Hz(USA)	1	KA314-HMXL00	(B.C)	
31	143-126-12	Pan Screw (w/Spring Washer/Plain Washer)	2	M4x12	SWRM	
32	009-295-14	Earth Terminal	1Set	5.5mm2x170L		
33	143-085-34	Pan Screw (w/Spring Washer)	1	M4x6	C3604	
34	142-197-11	Wave Washer	1	6305	SK5	
35	052-108-13	Bearing	1	6305ZZC3		

\* Indicates items included in set

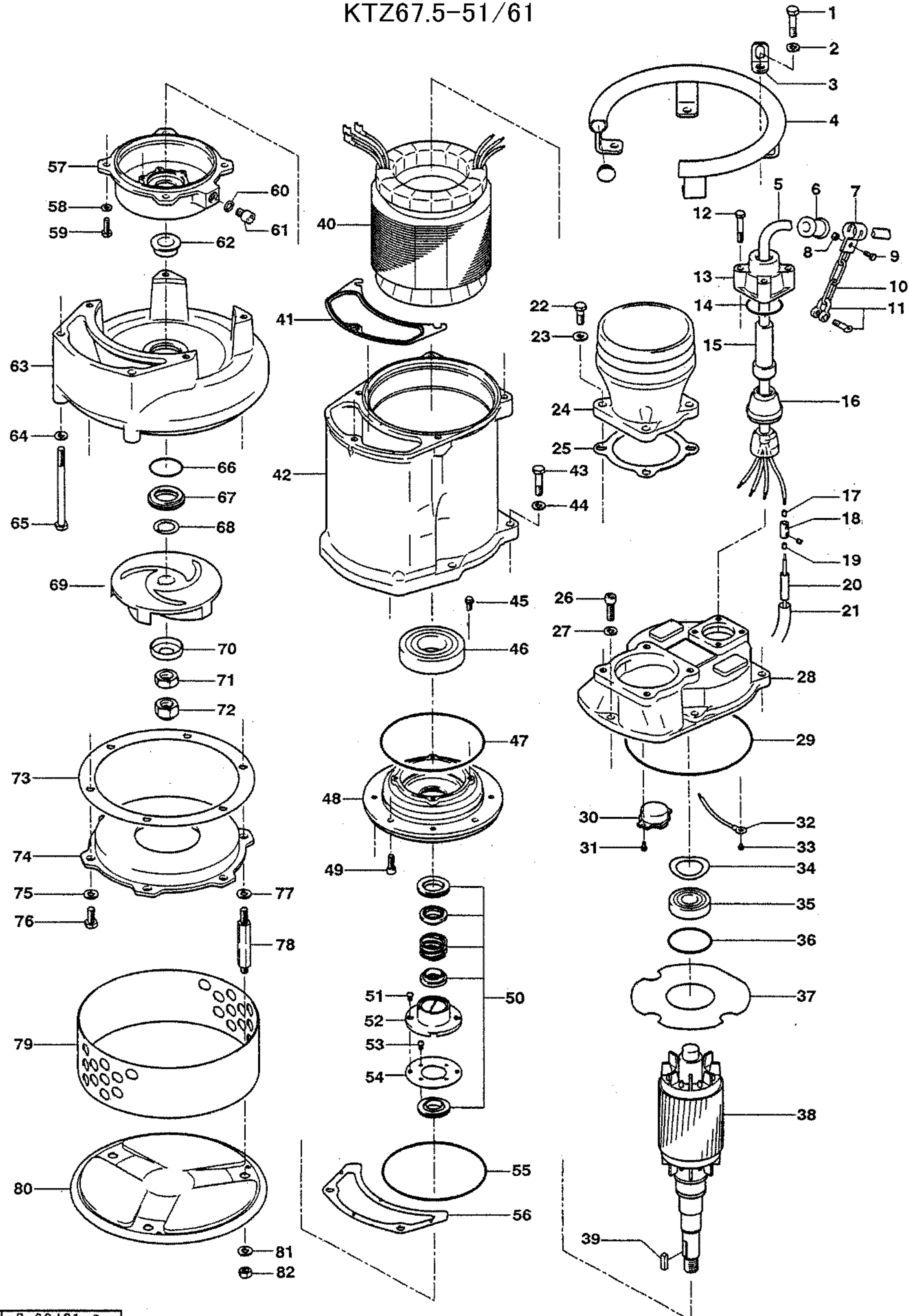
PARTS LIST		HI-VOLUME DEWATERING PUMP			11/8/2019	
ITEM	PART No.	DESCRIPTION	QTY	SIZE	MATERIAL	NOTES
36	122-244-12	O-Ring	1	61.4xd3.1	NBR	*
37	058-000-02	Lead Wire Protection Plate	1	d84xd199.5x1.5t	Bakelite	
38	055-000-10	Rotor	1Set			
39	147-022-19	Impeller Key	1	7x7x28l	SUS420	
40	056-000-19	Stator 220V-60Hz(USA)	1Set			
	056-000-21	Stator 440V-60Hz(USA)	1Set			
	056-000-23	Stator 575V-60Hz(USA)	1Set			
41	121-000-14	Packing (Water Way, Upp.)	1	KTZ35.5/67.5-51/61	NBR	*
42	064-000-03	Motor Frame	1		FC	
43	140-080-14	Hex.Bolt	4	M10x45	SUS304	
44	142-164-19	Spring Washer	4	M10	SUS304	
45	140-000-06	Hex.Bolt (w/Spring Washer/Plain Washer)	4	M6x12	SWCH	
46	052-112-10	Bearing	1	6309ZZC3		
47	122-285-15	O-Ring	1	155xd3.1	NBR	*
48	060-000-88	Bearing Housing	1		FC	
49	140-269-19	Hex.Socket Cap Bolt	4	M8x25	SUS304	
50	025-000-02	Mechanical Seal	1	HT-3035N	SiC	
51	143-070-23	Pan Screw	2	M5x6	SWRM	
52	030-138-14	Oil Lifter	1	HT-3035	Resin	
53	143-070-10	Pan Screw	6	M5x6	SWRM	
54	030-147-16	Seal Stopper	1	HT-3035	SPCC	
55	122-285-15	O-Ring	1	155xd3.1	NBR	*
56	121-502-18	Packing (Water Way, Low.)	1	KTZ47.5/67.5	NBR	*
57	029-333-17	Oil Casing	1	KTZ47.5/611	FC	
58	142-163-18	Spring Washer	4	M8	SUS304	
59	140-055-10	Hex.Bolt	4	M8x25	SUS304	
60	121-247-12	Packing	1	d12.3xd18x2t	PE	*
61	035-113-18	Oil Plug	1	M12x14	SUS304	
62	071-198-19	Shaft Sleeve	1	d25xd35x17l	SUS403	
63	020-001-05	Pump Casing	1	KTZ47.5/67.5	FC	
64	142-164-19	Spring Washer	2	M10	SUS304	
65	140-448-14	Hex.Bolt	2	M10x150	SUS304	
66	122-360-15	O-Ring	1	46.5xd2.5	NBR	*
67	026-238-12	Labyrinth Ring	1	GHV/GHZ-7.5/11KW	SUS304	
68	040-107-28	Impeller Shim		d25.2xd38x0.3t	SUS304	
69	021k8910	Impeller (60Hz)	1	KTZ67.5-61	HiCrFC	
70	047-105-14	Impeller Thread Protect.Cover	1	No.4(22)	SPC	
71	141-009-38	Hex.Nut	1	M20(H=12)	SUS304	

PARTS LIST		HI-VOLUME DEWATERING PUMP			11/8/2019	
ITEM	PART No.	DESCRIPTION	QTY	SIZE	MATERIAL	NOTES
72	141-034-16	Hex.Cap Nut	1	M20	SUS304	
73	120-111-13	Packing (S.Cover)		d221xd268x0.3t	PE	
74	022-000-57	Suction Cover	1	KTZ67.5/611	FCD	
75	142-128-24	Plain Washer	3	M10	SPC	
76	140-075-16	Hex.Bolt	3	M10x25	SUS304	
77	142-128-24	Plain Washer	3	M10	SPC	
78	144-000-57	Stud Bolt	3	M10x124(26/14)	SUS410	replaces OLD part# 144-19-15 (SUS403)
79	023-252-13	Strainer	1	KTV-75/110	SPC	
80	049-133-20	Bottom Plate	1	KRS-C3/A3	SPC	
81	142-128-24	Plain Washer	3	M10	SPC	
82	141-006-77	Hex.Nut	3	M10	S45C	
	173-000-43	<b>Packing O-Ring Set</b>	1Set	(Marked by *)		
14	122-121-12	O-Ring (S.Box)	1	G-50(49.4xd3.1)	NBR	*
25	121-141-15	Packing (Hose Coupling)	1	KRB-3/4	NBR	*
29	122-000-09	O-Ring (M.Bracket/M.Frame)	1	195xd3.8	NBR	*
36	122-244-12	O-Ring (Upp. Bearing)	1	61.4xd3.1	NBR	*
41	121-000-14	Packing (Water Way, Upp.)	1	KTZ35.5/67.5-51/61	NBR	*
47	122-285-15	O-Ring (M.Frame/Brg.Housing)	1	155xd3.1	NBR	*
55	122-285-15	O-Ring (Brg.Housing/O.Casing)	1	155xd3.1	NBR	*
56	121-502-18	Packing (Water Way, Low.)	1	KTZ47.5/67.5	NBR	*
60	121-247-12	Packing (Oil Plug)	1	d12.3xd18x2t	PE	*
66	122-360-15	O-Ring (Labyrinth Ring)	1	46.5xd2.5	NBR	*
		Lubricant		Turbine Oil VG32 760ml		
	183-009-12	Impeller Puller	1	A No.4 1"1/4"	FC	

PARTS LIST		HI-VOLUME DEWATERING PUMP			11/8/2019	
ITEM	PART No.	DESCRIPTION	QTY	SIZE	MATERIAL	NOTES

## EXPLODED VIEW

KTZ67.5-51/61



管理no. C-00431-2



MODEL **KTZ67.5-61**

PARTS LIST		HI-VOLUME DEWATERING PUMP				11/8/2019
ITEM	PART No.	DESCRIPTION	QTY	SIZE	MATERIAL	NOTES