

PARTS LIST					5/4/2022	
ITEM	PART No.	DESCRIPTION	QTY	SIZE	MATERIAL	NOTES
1	001-141-10	Cabtyre Cable (65')	2	2PNCT.F Multi-core7Cx60mm2		3Cx60mm2, 1Cx22mm2, 3Cx2mm2
2	000-000-01	Cabtyre Cable Set (65')	1	2PNCT6Cx0.75mm2 *1C:Unused		
3	140-021-17	Hex.Bolt	3	M5x20	SUS304	
4	009-127-14	Terminal	5	R-1.25-4	CU	
5	009-000-45	Connector	5	TGNB-1.25		
6	---					
7	006-000-57	Stuffing Box	2		FC200	
8	122-129-10	O-Ring	2	G-90	NBR	*
9	140-076-17	Hex.Bolt	8	M10x30	SUS304	
10	142-164-19	Spring Washer	8	M10	SUS304	
11	003-000-46	Gland	2		FC200	
12	140-081-15	Hex.Bolt	8	M10x50	SUS304	
13	---					
14	004-000-58	Cable Bush	2	d48xd77x42l	NBR	
15	006-000-72	Cable Protection Pipe	2		SUS304	
		Fixing Plate for Cable Protection Pipe	2		SUS304	
		Bush for Cable Protection Pipe	2		NBR	
16	217-000-34	Presser Plate	2	D58.5x5T	SUS304	
17	032-001-16	Bush	2	D55.5xD71.5x14.5L	NBR	
18	009-168-17	Terminal	4	R-22-S6	CU	
19	009-134-14	Terminal	6	R-60-10	CU	
20	009-140-13	Terminal	1	R-22-10	CU	
21	009-135-15	Terminal	6	R-60-6	CU	
22	009-168-17	Terminal	2	R-22-S6	CU	
23	009-167-16	Terminal	6	R-38-S6	CU	
24	---					
25	---					
26	140-029-28	Hex.Bolt	7	M6x10	SWRM	
27	141-004-59	Hex.Nut	7	M6	SWRM	
28	143-000-58	Pan Screw (w/Spring Washer/Plain Wash	1	M6x12	SWRM	
	200-000-16	Electrical tape	1	N tape(0.5x19x10M)		
	200-000-17	Electrical tape	1	S tape(0.2x19x10M)		
	002-140-12	Heat Shrink Tube (Sold per meter)	m	ST-110DG(d19)	(Vm)	
	200-000-10	Insulating Tape	m	W=25,T=0.18	(Vm)	
	002-000-18	Heat Shrink Tube (Sold per meter)	m	W3F2(3/4IN)	(Vm)	
	200-000-23	Electical tape (30M)		540S(0.18T-30Wx30M)		
29	010-164-17	Cable Clip	2Set		SS	
30		Cable Clip Rubber	2	115x100x1t	NBR	

PARTS LIST					5/4/2022	
ITEM	PART No.	DESCRIPTION	QTY	SIZE	MATERIAL	NOTES
31	140-255-10	Hex.Bolt	8	M8x25	SUS304	
32	141-005-18	Hex.Nut	8	M8	SUS304	
33	011-108-16	Shackle	4	6mm	SUS304	
34	000-000-95	Chain	2	d5(3-Link)	SUS304	
35	072-100-20	Eye Bolt	2	M10	SUS304	
36	010-105-10	Cable Clip	1	SB	SPC	
37	010-126-17	Cable Clip Rubber	1	HS2	NBR	
38	011-100-18	Shackle	1	S-8	SS	
39	140-018-11	Hex.Bolt	1	M5x15	SUS304	
40	141-003-16	Hex.Nut	1	M5	SUS304	
	214-000-13	Blind Cover	1	d54, P.C.40, T=6	SUS304	
	121-001-86	Packing	1	d54, P.C.40, T=3	NBR	
	140-021-17	Hex.Bolt	3	M5x20	SUS304	
41	201-000-41	Lid	1		FC200	
42	121-001-84	Packing	1		NBR	*
43	140-078-19	Hex.Bolt	12	M10x35	SUS304	
44	144-001-08	Stud Bolt	2	M10X47L(12/26)	SUS304	
45	141-006-19	Hex.Nut	2	M10	SUS304	
46	142-164-19	Spring Washer	14	M10	SUS304	
47	035-113-18	Oil Plug	1	M12x14	SUS304	
48	121-247-12	Packing(Oil Plug)	1	d12.3xd18x2t	PE	*
49	028-000-38	Seal Housing	1		FC200	
50	140-076-17	Hex.Bolt	6	M10x30	SUS304	
51	142-164-19	Spring Washer	6	M10	SUS304	
52	122-159-19	O-Ring	1	G-280	NBR	*
53	000-000-25	Mechanical Seal	1	H-60 (Special)	SIC	
54	030-000-13	Oil Ring	1	H-60P	SPCC	
55	030-000-14	Seal Stopper	1	H-60P	SPCC	
56	143-028-13	Pan Screw	6	M5x10	SWRM	
57	029-001-24	Oil Casing	1		FC200	
58	122-000-55	O-Ring	1	450xd5.7	NBR	*
59	140-097-14	Hex.Bolt	8	M12x30	SUS304	
60	142-165-10	Spring Washer	8	M12	SUS304	
61	144-999-90	Hex. Socket Set Screw	2	M10x25	SUS304	
62	026-118-15	Oil Seal	2	TC-709513	NBR	
63	071-000-32	Spacer	1	d72xd95x9t	SUS403	
64	035-113-18	Oil Plug	4	M12x14	SUS304	

PARTS LIST						5/4/2022
ITEM	PART No.	DESCRIPTION	QTY	SIZE	MATERIAL	NOTES
65	121-247-12	Packing(Oil Plug)	4	d12.3xd18x2t	PE	*
66	071-000-67	Shaft Sleeve	1		SUS403	
67	020-003-62	Pump Casing	1		FC200	
68	122-000-67	O-Ring	1	675xd5.7	NBR	*
69	122-000-55	O-Ring	1	450xd5.7	NBR	*
70	144-001-06	Stud Bolt	8	M20x95L(30/30)	SUS304	
71	142-168-13	Spring Washer	8	M20	SUS304	
72	141-009-12	Hex.Nut	8	M20	SUS304	
73	034-000-97	Suction Mouth	2	LH12185-61	HiCrFC	
74	140-284-10	Hex. Socket Cap Bolt	12	M10x20	SUS304	
75	142-000-21	Spring Washer	12	M10(CP)	SUS304	
76	144-999-90	Hex. Socket Set Screw	8	M10x20	SUS304	
77	021-014-43	Impeller	1	LH12185-61	HiCrFC	
78	000-001-41	Hex. Cap Nut	1	M42	SUS304	
79	141-014-23	Hex.Nut	1	M42	SUS304	
80	142-001-16	Impeller Washer	1		SUS304	
81	023-002-03	Strainer Stand	1		SS	
82	144-001-07	Stud Bolt	4	M24x157L(36/36)	SUS304	
83	141-011-17	Hex.Nut	4	M24	SUS304	
84	019-000-25	Straightening Vane	1		SS	
85	140-269-19	Hex. Socket Cap Bolt	3	M8x35	SUS304	
86	141-005-18	Hex.Nut	3	M8	SUS304	
87	043-102-19	Cathodic Protection Plate	4	AB-1HS(75x70x20t)	Al	
88	140-097-14	Hex.Bolt	4	M12x30	SUS304	
89	141-007-10	Hex.Nut	4	M12	SUS304	
90	142-129-12	Plain Washer	4	M12	SUS304	
91	142-165-10	Spring Washer	4	M12	SUS304	
92	140-072-13	Hex.Bolt	2	M10x15	SUS304	
93	037-000-91	Discharge Pipe	1	JIS10Kx300mm L=250	SS+SGP	
94	121-111-12	Packing	1	JIS10Kx300mm	NR	*
95	140-001-79	Hex.Bolt	16	M22x65	SUS304	
96	142-169-14	Spring Washer	16	M22	SUS304	
97	048-256-14	Welding Flange	1	JIS10Kx300mm	SS	
98	140-176-18	Hex.Bolt	16	M22x90	SUS304	
99	141-010-16	Hex.Nut	16	M22	SUS304	
100	142-169-14	Spring Washer	16	M22	SUS304	
101	121-111-12	Packing	1	JIS10Kx300mm	NR	*

PARTS LIST					5/4/2022	
ITEM	PART No.	DESCRIPTION	QTY	SIZE	MATERIAL	NOTES
102	214-000-13	Lid	1	D52×6t,P.C.40	SUS304	
103	121-001-86	Packing	1	D52×6t,P.C.40	NBR	*
104	140-021-17	Hex.Bolt	3	M5x20	SUS304	
105						
106	065-000-94	Outer Cover	1	MJA928ZD		
107	050-001-86	Motor Bracket	1	MJA928ZD	FC200	
108	122-023-13	O-Ring	1	P24	NBR	*
109	122-030-13	O-Ring	1	P30	NBR	*
110	122-001-26	O-Ring	1	686×d10	NBR	*
111	122-288-18	O-Ring	1	470×d5.7	NBR	*
112	052-001-26	Bearing	1	NU310MC3		
113	056-013-58	Stator+Motor Frame+Stator Set Bolt	1Set	MJA928ZD		
114	055-005-02	Rotor+Shaft+Impeller Key	1Set	MJA928ZD		
115	147-001-05	Impeller Key	1	16×10×110L	SUS420J2	
116	122-147-14	O-Ring	1	G180	NBR	*
117	060-002-99	Bearing Housing	1	MJA928ZD	FC200	
118	052-001-25	Bearing+Spacer	1Set	7313BTDB W/Spacer		
119	026-269-12	Oil Seal	1	TC60789	NBR	
120	122-288-18	O-Ring	1	470×d5.7	NBR	*
121	122-001-26	O-Ring	1	686×d10	NBR	*
122	122-030-13	O-Ring	1	P30	NBR	*
123	122-023-13	O-Ring	1	P24	NBR	*
124	090-122-11	Leakage Sensor(Electrode)	1Set	d9×43L	SUS	
124-1	003-151-19	Gland	1	P.C.30	SPC	
124-2	140-021-17	Hex.Bolt	2	M5×20	SUS304	
125	090-112-18	Leakage Sensor(Float)	1Set	OLV-5		
126	113-000-21	Upper Bearing Grease Pan	1	MJA928ZD	FC150	
127	062-000-52	Bearing Cover	1	MJA928ZD	FC150	
128	061-000-23	Bearing Collar	1	MJA928ZD	SS400	
129	141-078-12	Bearing Nut	1	AN13	SS400	
130	142-246-16	Bearing Washer	1	AW13	SPCC	
131						
132	058-000-63	Lead Wire Protection Plate	1	MJA928ZD	SPHC	
133	121-002-82	Packing (For Bearing Cover)	1	5×5.5×258L	Felt	*
134	140-001-81	Hex. Socket Cap Bolt	8	M20×140	SUS304	
135	142-001-85	Conical Spring Washer	8	M20、Nord-Lock washers	SUS316L	
136	016-000-29	Protection Bush	3	MJA928ZD	NBR	

PARTS LIST					5/4/2022	
ITEM	PART No.	DESCRIPTION	QTY	SIZE	MATERIAL	NOTES
137	144-001-47	Grease Plug+O-Ring	1Set	M24+P24	SUS304+NBR	
138	144-001-48	Grease Plug+O-Ring	1Set	M30+P30	SUS304+NBR	
139	144-001-47	Grease Plug+O-Ring	1Set	M24+P24	SUS304+NBR	
140	144-001-48	Grease Plug+O-Ring	1Set	M30+P30	SUS304+NBR	
141	148-000-03	Grease Nipple	1	A-R1/8	C3604	
142	148-000-03	Grease Nipple	1	A-R1/8	C3604	
143	140-188-13	Hex.Bolt	4	M24×75	SUS304	
144	142-170-18	Spring Washer	8	M24	SUS304	
145	144-001-46	Stud Bolt	2	M24×82	SUS304	
146	141-011-17	Hex.Nut	4	M24	SUS304	
147	140-185-10	Hex.Bolt	2	M24×60	SUS304	
148	140-056-11	Hex.Bolt	4	M8×30	SUS304	
149	140-054-19	Hex.Bolt	4	M8×20	SUS304	
150	061-000-24	Slinger	1	MJA928ZD,d50	SS400	
151	146-000-11	Retaining Ring	1	SSR-50	SK5	
152	140-078-19	Hex.Bolt	8	M10×35	SUS304	
153	121-002-83	Packing (For Upper Bearing Grease Pan)	2	5×5.5×243L	Felt	*
	173-004-15	Packing O-Ring Set	1Set	LH12185D-61		
8	122-129-10	O-Ring	2	G-90	NBR	*
42	121-001-84	Packing	1	248×338×3t	NBR	*
48	121-247-12	Packing(Air Tightness Test Plug)	1	d12.3xd18x2t	PE	*
52	122-159-19	O-Ring	1	G-280	NBR	*
58	122-000-55	O-Ring	1	450xd5.7	NBR	*
65	121-247-12	Packing(Oil Plug)	4	d12.3xd18x2t	PE	*
68	122-000-67	O-Ring	1	675xd5.7	NBR	*
69	122-000-55	O-Ring	1	450xd5.7	NBR	*
94	121-111-29	Packing	1	JIS10Kx300mm	NR	*
101	121-111-29	Packing	1	JIS10Kx300mm	NR	*
103	121-001-86	Packing	1	D52×6t,P.C.40	NBR	*
108	122-023-13	O-Ring	1	P24	NBR	*
109	122-030-13	O-Ring	1	P30	NBR	*
110	122-001-26	O-Ring	1	686×d10	NBR	*
111	122-288-18	O-Ring	1	470×d5.7	NBR	*
116	122-147-14	O-Ring	1	G180	NBR	*
120	122-288-18	O-Ring	1	470×d5.7	NBR	*
121	122-001-26	O-Ring	1	686×d10	NBR	*
122	122-030-13	O-Ring	1	P30	NBR	*



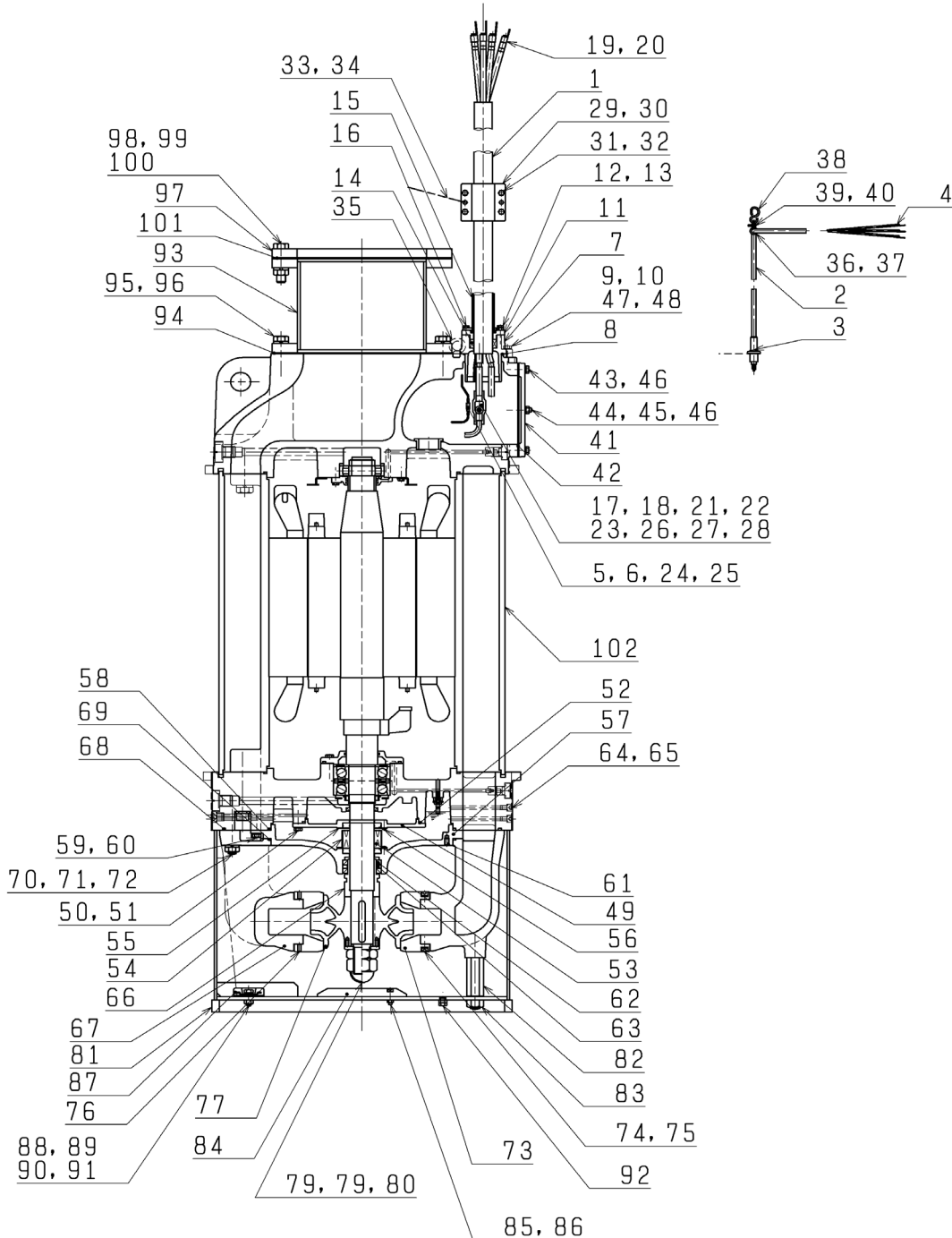
MODEL **LH12185D-61**

PARTS LIST						5/4/2022
ITEM	PART No.	DESCRIPTION	QTY	SIZE	MATERIAL	NOTES
123	122-023-13	O-Ring	1	P24	NBR	*
133	121-002-82	Packing (For Bearing Cover)	1	5×5.5×258L	Felt	*
153	121-002-83	Packing (For Upper Bearing Grease Pan	2	5×5.5×243L	Felt	*
		Lubricant		Turbine Oil VG32 8,000ml		

PARTS LIST					5/4/2022	
ITEM	PART No.	DESCRIPTION	QTY	SIZE	MATERIAL	NOTES



SECTIONAL DRAWING		No.	No.	J4-49542-1
TYPE	Submersible Dewatering Pump	MODEL	LH12185 -61	



TSURUMI MFG. CO., LTD.