

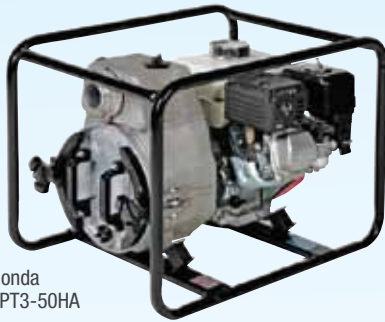
TSURUMI PUMP EPT3 Series Engine Trash Pumps

Tsurumi trash pumps are designed with oversized pump casing, and a cleanout door which can be removed from the pump casing without having to remove the suction hose.

Powered by quality, dependable Honda (EPT-HA) and Subaru (EPT-RX) gas engines.

EPT3-HA / EPT3-RX Gas Engine Trash Pumps Features:

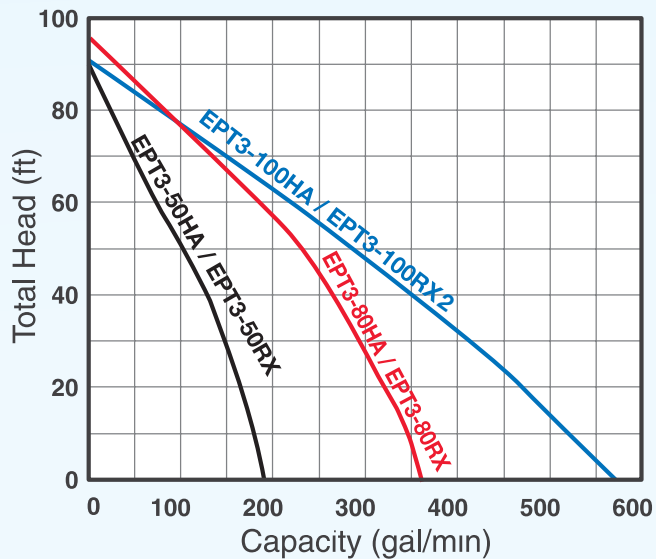
- Heavy-duty Honda gas engine with oil sensor delivers high power from a compact, reliable design. Silicon Carbide mechanical seal provides longer life in this class.
- High Chrome impeller, Cast Iron volute casing plus Stainless Steel wear plate promise increased durability and decreased maintenance.
- Pump/engine set mounted to cage frame on Rubber Vibration Cushions to buffer stress and wear.
- Durable Rolled-Steel frame provides pump/engine with maximum protection, perfect ease of handling or transport and safe operation.
- Galvanized Steel hose couplings promise longer thread life.



Honda
EPT3-50HA



Subaru
EPT3-50RX



Model	EPT3-50HA 2" Trash Pump	EPT3-80HA 3" Trash Pump	EPT3-100HA 4" Trash Pump	EPT3-50RX 2" Trash Pump	EPT3-80RX 3" Trash Pump	EPT3-100RX2 4" Trash Pump
Max. Capacity (GPM)	190	360	570	190	360	570
Max. Head (ft.)	90	96	91	90	96	91
Impeller Material	High Chrome Iron Casting					
Volute Casting Material	Cast Iron					
Wear Plate Material	Stainless Steel					
Pump Casing Material	Cast Aluminum					
Discharge Connection	2" NPT Coupling	3" NPT Coupling	4" NPT Coupling	2" NPT Coupling	3" NPT Coupling	4" NPT Coupling
Suction Connection	2" NPT Coupling	3" NPT Coupling	4" NPT Coupling	2" NPT Coupling	3" NPT Coupling	4" NPT Coupling
Max. Suction Lift (ft.)	26'					
Brand	Honda	Honda	Honda	Subaru	Subaru	Subaru
Model	GX160	GX240	GX340	EX17	EX27	EX35
Max. Output (hp/rpm)	5.5/3600	8.0/3600	11.0/3600	6.0/4000	7.0/4000	12.0/3600
Fuel Tank Capacity (US gal.)	0.95	1.6	1.7	0.95	0.95	1.85
Continuous Run Time Per Tank (hr.)	3.3	3.2	2.6	3.28	2.71	2.8
Length (in.)	23 1/4	27 1/2	30 1/8	23 1/4	27 1/2	30 1/8
Width (in.)	18 1/4	20 1/8	20 1/8	18 1/4	20 1/8	20 1/8
Height (in.)	17 3/8	25 5/8	26	17 3/8	25 5/8	26
Shipping Weight (lbs.)	82	136	160	82	136	163