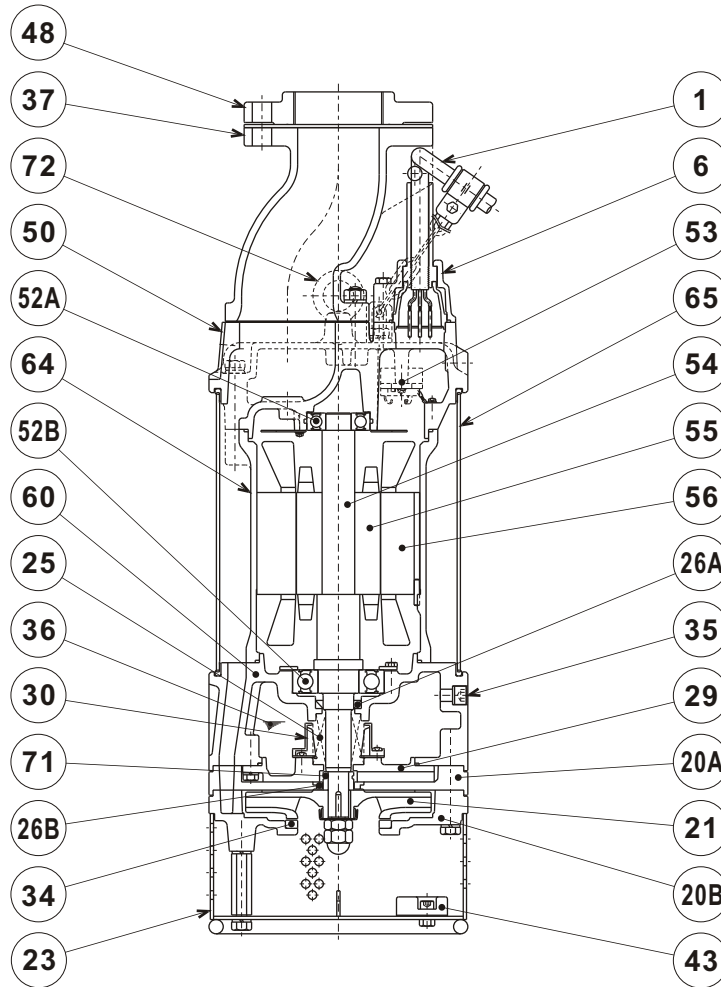




**LH - SERIES  
DEWATERING PUMPS**

**SECTIONAL VIEW**

**LH23.7-61  
LH35.5-61**



ITEM#	DESCRIPTION	MAIN MATERIAL / NOTE	ASTM, AISI CODE	RELATED EN CODE	Q'TY
1	Power Cable (LH23.7-61)	Chloroprene Sheath AWG14/4-50ft			1
	Power Cable (LH35.5-61)	Chloroprene Sheath AWG12/4-50ft			
6	Stuffing Box	Cast Iron	A48M Class30B	EN 1561 GJL-200	1
20A	Upper Pump Casing	Ductile Cast Iron	A536 65-45-12	EN 1563 GJS-450-10	1
20B	Lower Pump Casing	Ductile Cast Iron	A536 65-45-12	EN 1563 GJS-450-10	1
21	Impeller	High Chrome Cast Iron	A532 Class TypeA	DIN 1695 G-X260Cr27	1
23	Suction Strainer	Steel	A283 Grade D	EN 10025 S275	1
25	Mechanical Seal	Silicon Carbide / H-25T			1
26A	Oil Seal	NBR / SC30458			1
26B	Labyrinth Ring	Stainless Steel	S 30400	1.4301	1
29	Oil Casing	Cast Iron	A48M Class30B	EN 1561 GJL-200	1
30	Oil Lifter	PBT Resin W/GF40			1
34	Mouth Ring	High Chrome Cast Iron	A532 Class TypeA	DIN 1695 G-X260Cr27	1
35	Oil Plug	Stainless Steel	S 30400	1.4301	1
36	Lubricant	Turbine Oil ISO VG32 or SAE 10W-20			
37	Discharge Pipe	Ductile Cast Iron / 2" or 3" JIS10K	A536 65-45-12	EN 1563 GJS-450-10	1
43	Cathodic Protection Plate	Zinc Anode			4
48	Companion Flange	Cast Iron / NPT2" or 3" JIS10K	A48M Class30B	EN 1561 GJL-200	1
50	Motor Bracket	Cast Iron	A48M Class30B	EN 1561 GJL-200	1
52A	Upper Bearing	#6305ZZC3			1
52B	Lower Bearing	#6308ZZC3			1
53	Motor Protector				1
54	Shaft	Stainless Steel	S 42000	1.4028	1
55	Rotor				1
56	Stator				1
60	Bearing Housing	Cast Iron	A48M Class30B	EN 1561 GJL-200	1
64	Motor Housing	Cast Iron	A48M Class30B	EN 1561 GJL-200	1
65	Outer Cover	Steel	A283 Grade D	EN 10025 S275	1
71	Shaft Sleeve	Stainless Steel	S 40300	1.4000	1
72	Lifting Lug Bolt	Stainless Steel	S 30400	1.4301	2