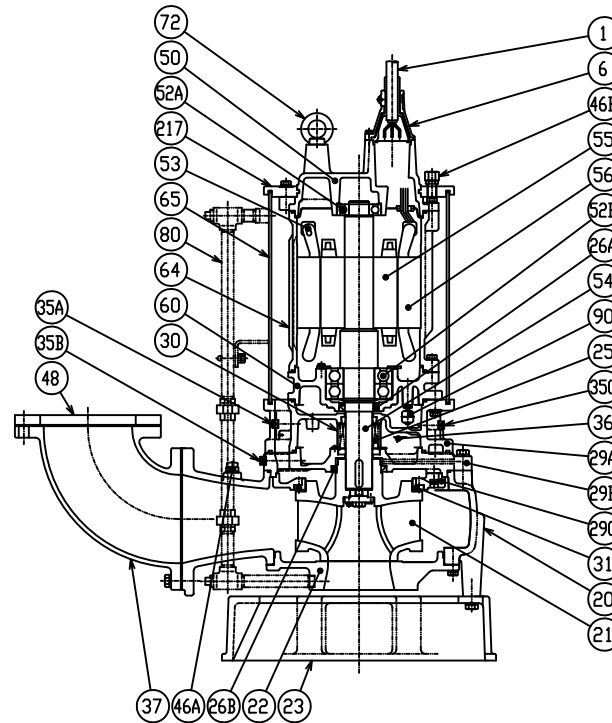




B-SERIES
SEWAGE & WASTEWATER PUMPS

SECTIONAL VIEW



200BK422 -64

PART#	DESCRIPTION	MAIN MATERIAL / NOTE	RELATED ASTM,AISI CODE	RELATED EN CODE	QTY
1	Power Cable	Chloroprene Sheath AWG 6/4-32ft			1
	Power Cable	Chloroprene Sheath AWG 6/3-32ft			1
	Control Cable	Chloroprene Sheath AWG 16/4-32ft			1
6	Stuffing Box	Cast Iron	A48M Class30B	EN 1561 GJL-200	2
20	Pump Casing	Cast Iron	A48M Class35B	EN 1561 GJL-250	1
21	Impeller	Cast Iron	A48M Class35B	EN 1561 GJL-250	1
22	Suction Cover	Cast Iron	A48M Class35B	EN 1561 GJL-250	1
23	Suction Strainer	Ductile Cast Iron	A536 80-55-06	EN 1563 GJS-500-7	1
25	Mechanical Seal	Silicon Carbide / H-60			1
26A	Oil Seal	NBR / TC659013			1
26B	Oil Seal	NBR / TC10012513			1
29A	Casing Cover	Cast Iron	A48M Class30B	EN 1561 GJL-200	1
29B	Oil Casing	Cast Iron	A48M Class35B	EN 1561 GJL-250	1
29C	Casing Plate	Cast Iron	A48M Class35B	EN 1561 GJL-250	1
30	Oil Lifter	Steel (Cold Rolled)	A109/A1008	EN 10130	1
31	Wear Ring	Cast Iron	A48M Class30B	EN 1561 GJL-200	1
35A	Oil Plug	Stainless Steel	S 30400	1.4301	2
35B	Oil Plug	Stainless Steel	S 30400	1.4301	1
35C	Drain Plug	Stainless Steel	S 30400	1.4301	1
36	Lubricant	Turbine Oil ISO VG32 or SAE 10W-20			
37	Discharge Bend	Cast Iron	A48M Class30B	EN 1561 GJL-200	1
46A	Air Release Valve	Nylon			1
46B	Air Release Valve	Stainless Steel	S 30400	1.4301	1
48	Welded Flange	Cast Iron / 8"	A48M Class30B	EN 1561 GJL-200	1
50	Motor Bracket	Cast Iron	A48M Class30B	EN 1561 GJL-200	1
52A	Upper Bearing	#6309ZZC3			1
52B	Lower Bearing	#6314ZZD2C3			1
53	Motor Protector				3
54	Shaft	Stainless Steel	S 42000	1.4021	1
55	Rotor				1
56	Stator				1
60	Bearing Housing	Cast Iron	A48M Class30B	EN 1561 GJL-200	1
64	Motor Housing	Cast Iron	A48M Class30B	EN 1561 GJL-200	1
65	Outer Cover	Steel	A283 Grade D	EN 10025 S275	1
72	Lifting Lug Bolt	Stainless Steel	S 30400	1.4301	2
80	Cooling Pipe Set	Steel	A283 Grade D	EN 10025 S275	1
90	Leak Sensor (Float)				1
217	Fixing Plate	Cast Iron	A48M Class30B	EN 1561 GJL-200	1