

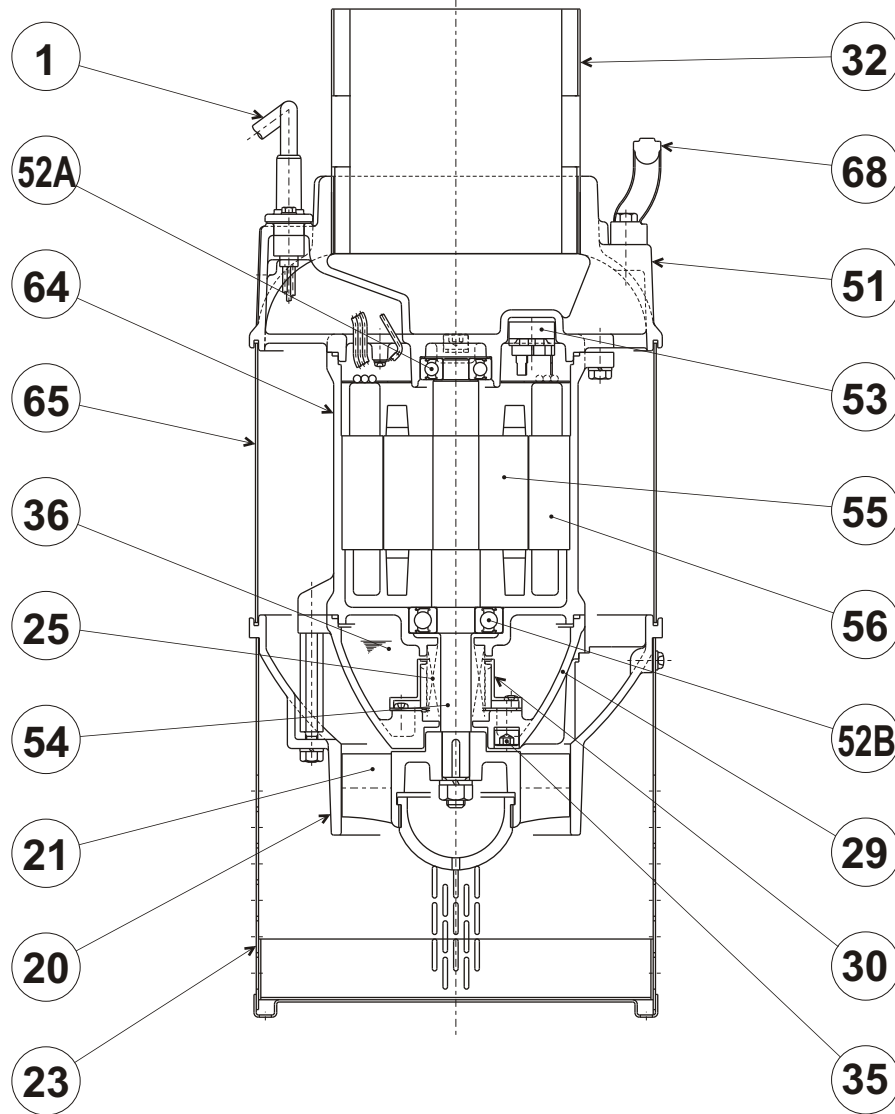


TSURUMI PUMP

**AB - SERIES
PROPELLER TYPE - DEWATERING PUMPS**

SECTIONAL VIEW

150AB41.5-61



PART#	DESCRIPTION	MAIN MATERIAL / NOTE	ASTM, AISI CODE	RELATED DIN CODE	QTY
1	Power Cable	PVC Sheath AWG16/4-32ft			1
20	Pump Casing	Cast Iron	A48M Class30B	EN 1561 GJL-200	1
21	Impeller	Cast Iron	A48M Class30B	EN 1561 GJL-200	1
23	Suction Strainer	Stainless Steel	S 30400	1.4301	1
25	Mechanical Seal	Silicon Carbide / H-20A			1
29	Oil Casing	Cast Iron	A48M Class30B	EN 1561 GJL-200	1
30	Oil Lifter	PBT Plastic w/(GF+MD)40			1
32	Discharge Connection	Cast Iron / NPT 6"	A48M Class30B	EN 1561 GJL-200	1
35	Oil Plug	Stainless Steel	S 30400	1.4301	1
36	Lubricant	White Mineral Oil ISO VG32			
51	Motor Head Cover	Cast Iron	A48M Class30B	EN 1561 GJL-200	1
52A	Upper Bearing	#6303ZZC3			1
52B	Lower Bearing	#6305ZZC3			1
53	Motor Protector				1
54	Shaft	Stainless Steel	S 40300	1.4000	1
55	Rotor				1
56	Stator				1
64	Motor Housing	Cast Iron	A48M Class25B	EN 1561 GJL-150	1
65	Outer Cover	Stainless Steel	S 30400	1.4301	1
68	Handle	Cast Iron	A48M Class30B	EN 1561 GJL-200	2