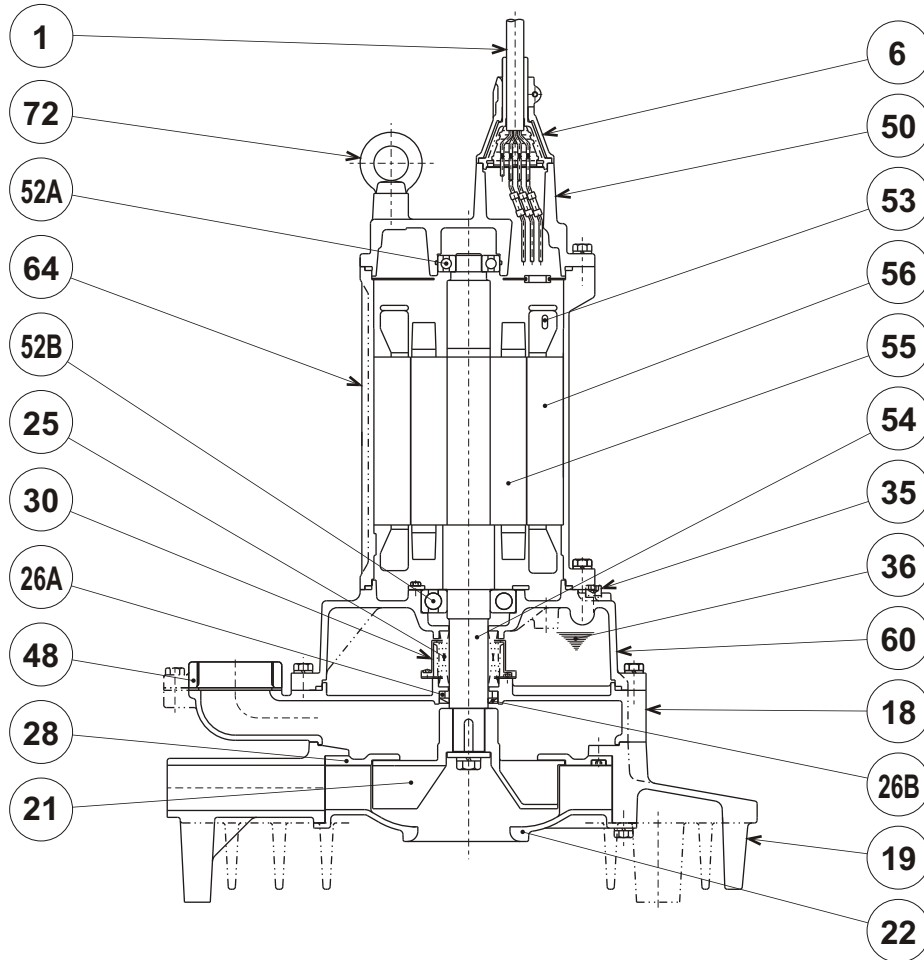




TRN - SERIES
SUBMERSIBLE - AERATOR

SECTIONAL VIEW

80TRN417-62



PART#	DESCRIPTION	MAIN MATERIAL / NOTE	ASTM, AISI CODE	RELATED DIN CODE	QTY
1	Power Cable	Chloroprene Sheath AWG10/4, 10/3, 16/2- 32ft			3
6	Stuffing Box	Cast Iron	A48M Class25B	EN 1561 GJL-150	2
18	Air Passage	Cast Iron	A48M Class30B	EN 1561 GJL-200	1
19	Guide Vane	Cast Iron	A48M Class30B	EN 1561 GJL-200	1
21	Impeller	Stainless Steel Casting	A743 CA-15	X15Cr13	1
22	Suction Cover	Stainless Steel Casting	A743 CA-15	X15Cr13	1
25	Mechanical Seal	Silicon Carbide / H-45			1
26A	Distance Piece	Steel	A283 Grade D	EN 10025 S275	1
26B	Oil Seal	NBR / VC-45686			1
28	Middle Plate	Stainless Steel Casting	A743 CA-15	X15Cr13	1
30	Oil Lifter	PBT Plastic w/(GF+MD)40			1
35	Oil Plug	Stainless Steel	S 30400	1.4301	2
36	Lubricant	Turbine Oil ISO VG32 or SAE 10W-20			
48	Companion Flange	Cast Iron / NPT 3"	A48M Class30B	EN 1561 GJL-200	1
50	Motor Bracket	Cast Iron	A48M Class30B	EN 1561 GJL-200	1
52A	Upper Bearing	6306ZZC3			1
52B	Lower Bearing	6310ZZC3			1
53	Motor Protector				3
54	Shaft	Stainless Steel	S 42000	1.4028	1
55	Rotor				1
56	Stator				1
60	Bearing Housing	Cast Iron	A48M Class25B	EN 1561 GJL-150	1
64	Motor Housing	Cast Iron	A48M Class30B	EN 1561 GJL-200	1
72	Lifting Lug Bolt	Stainless Steel	S 30400	1.4301	2