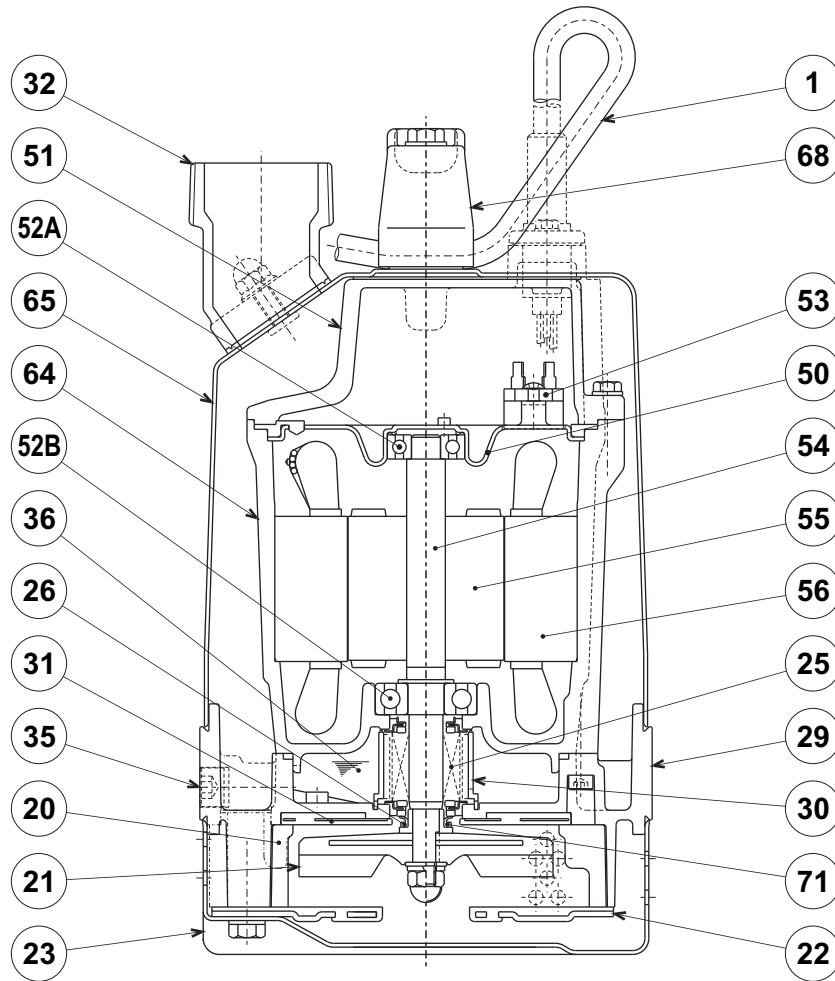


LBT-800-62


ITEM#	DESCRIPTION	MAIN MATERIAL / NOTE	RELATED ASTM, AISI CODE	RELATED EN CODE
1	Power Cable	PVC Sheath AWG16/4-50ft		
20	Pump Casing	Butadiene Rubber + Natural Rubber		
21	Impeller	Urethane Rubber		
22	Suction Cover	Urethane Rubber + Steel (Cold Rolled)	(A109/A1008)	(EN 10130)
23	Suction Strainer	Steel (Cold Rolled)	A109/A1008	EN 10130
25	Mechanical Seal	Silicon Carbide / W-14VL		
26	V-Ring	Nitrile Butadiene Rubber		
29	Oil Casing	Aluminum Alloy Die Casting	B85 383.0	EN 1706 AC-46100
30	Oil Lifter	PBT Resin		
31	Wearing Plate	Urethane Rubber		
32	Discharge Connection	Aluminum Alloy Die Casting / NPT 2"	B85 383.0	EN 1706 AC-46100
35	Oil Plug	Stainless Steel	S 30400	1.4301
36	Lubricant	Turbine Oil ISO VG32 or SAE10W-20		
50	Motor Bracket	Steel (Electro-Galvanized)	A591	EN 10152
51	Motor Head Cover	Aluminum Alloy Die Casting	B85 383.0	EN 1706 AC-46100
52A	Upper Bearing	#6201ZZC3		
52B	Lower Bearing	#6302ZZC3		
53	Motor Protector			
54	Shaft	Stainless Steel	S 40300	1.4000
55	Rotor			
56	Stator			
64	Motor Housing	Aluminum Alloy Die Casting	B85 383.0	EN 1706 AC-46100
65	Outer Cover	Steel (Cold Rolled)	A109/A1008	EN 10130
68	Handle	ABS Resin		
71	Shaft Sleeve	Stainless Steel	S 30400	1.4301