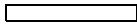


PARTS LIST		CUTTER PUMP			5/29/2024	
ITEM	PART No.	DESCRIPTION	QTY	SIZE	MATERIAL	NOTES
1	001-003-29	Cabtyre Cable Set (32') (USA)	1	VCT2Cx1.25mm2	LB	
2	140-427-17	Hex.Bolt (w/Plain Washer)	2	M5x15	SUS304	
3	003-190-10	Gland	1		SUS316	
4	009-274-17	Compression type Terminal	2	TMNB-2(Insulated)		
5	140-056-11	Hex.Bolt	4	M8x30	SUS304	
6	142-163-18	Spring Washer	4	M8	SUS304	
7	006-126-14	Stuffing Box	1	No.2	FC	included in ITEM#10 Cable Ass'y
8	070-107-18	Cable Clamp	1		FC	included in ITEM#10 Cable Ass'y
9	140-035-14	Hex.Bolt	2	M6x20	SUS304	included in ITEM#10 Cable Ass'y
10	001-TAI-02	Cabtyre Cable	1	2PNCT4Cx14mm2	(Vm)	
11	008-140-10	Mould Cover	1	KR2-5	CR	included in ITEM#10 Cable Ass'y
12	143-085-21	Pan Screw (w/Spring Washer)	1	M4x6	SWRM	
13	009-002-07	Terminal	1	R-14-4	CU	
14	009-128-15	Terminal	3	E (middle)	CU	
15	009-118-12	Terminal(C/W Screw)	3	d12x(d8xd8)x25l	C3604	
16	009-125-12	Terminal	3	P-8	CU	
17	002-135-14	Heat Shrink Tube (Sold per meter)	m	A(d15x0.3t)	(Vm)	
18	002-132-11	Heat Shrink Tube (Sold per meter)	m	A4(d17x0.27t)	(Vm)	
19	072-107-14	Eye Bolt	2	M16	SS	
20	142-399-15	Washer		d17xd29x0.1t	SUS304	
	142-400-10	Washer		d17xd29x0.3t	SUS304	
21	140-056-11	Hex.Bolt	4	M8x30	SUS304	
22	142-163-18	Spring Washer	4	M8	SUS304	
23	214-015-10	Stuffing Box Cover	1	BG3,KR2	FC	
24	122-126-17	O-Ring	1	G-75(74.4xd3.1)	NBR	*
25	140-098-15	Hex.Bolt	4	M12x35	SUS304	
26	142-165-10	Spring Washer	4	M12	SUS304	
27	050-000-92	Motor Bracket	1		FC	
28	122-173-19	O-Ring	1	V-225(222.5xd6)	NBR	*
29	142-198-12	Wave Washer	1	6306	SK5	
30	052-109-14	Bearing	1	6306ZZC3		
31	058-000-09	Lead Wire Protection Plate	1	d86xd224x1.6t	SPHC	
32	055-003-35	Rotor	1Set			
33	147-066-15	Impeller Key	1	10x8x22L	SUS420	
34	053-309-19	Motor Protector	3	9700K-46-215	(H)	
35	056-010-30	Stator 208/230V-60Hz(USA)	1Set			
35	056-010-31	Stator 460V-60Hz(USA)	1Set			

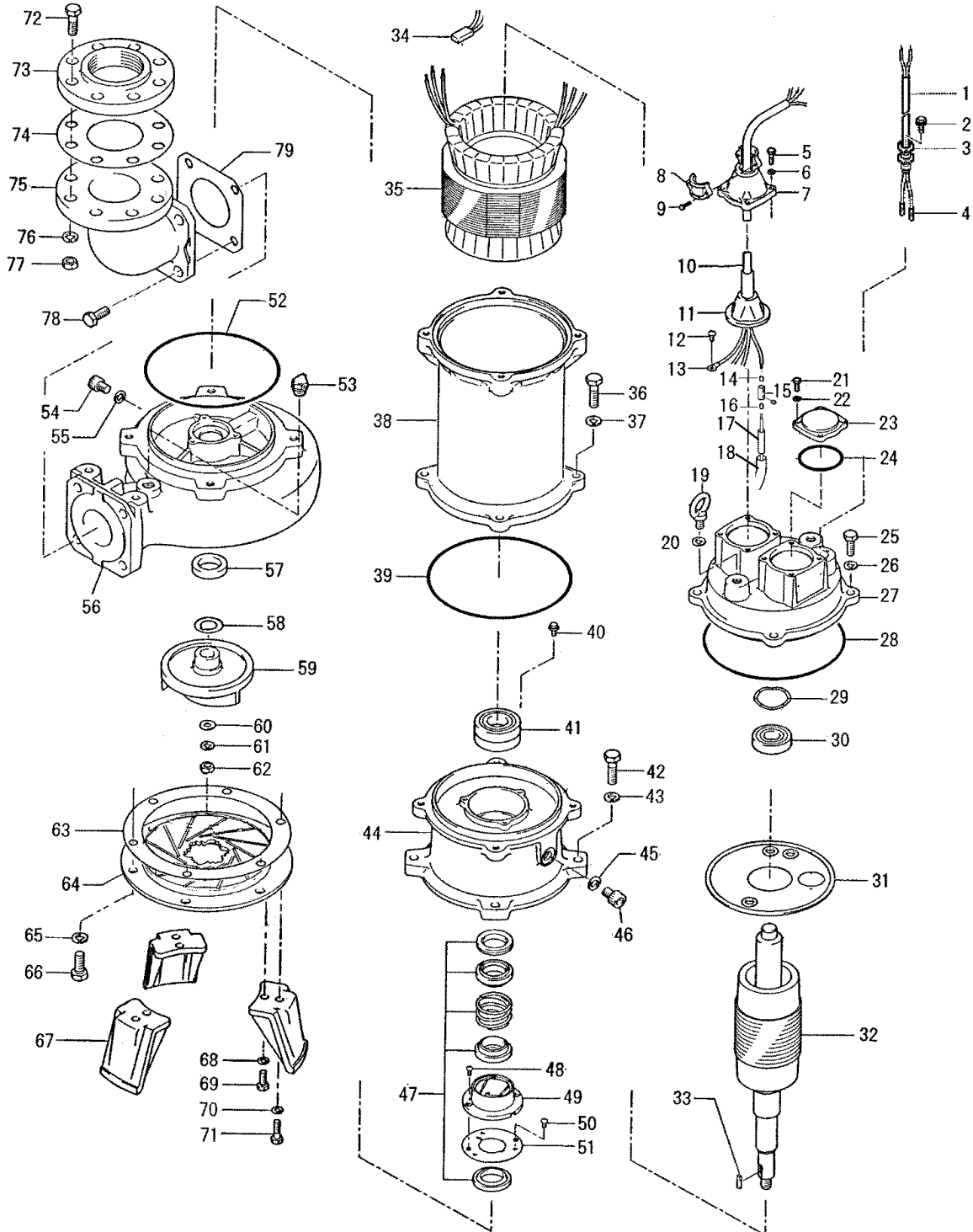
PARTS LIST		CUTTER PUMP			5/29/2024	
ITEM	PART No.	DESCRIPTION	QTY	SIZE	MATERIAL	NOTES
36	140-100-11	Hex.Bolt	4	M12x45	SUS304	
37	142-165-10	Spring Washer	4	M12	SUS304	
38	064-001-16	Motor Frame	1		FC	
39	122-173-19	O-Ring	1	V-225(222.5xd6)	NBR	*
40	140-000-06	Hex.Bolt (w/Spring Washer/Plain Washer)	3	M6x12	SWCH	
41	052-140-17	Bearing	1	6309ZZD2C3		
42	140-100-11	Hex.Bolt	4	M12x45	SUS304	
43	142-165-10	Spring Washer	4	M12	SUS304	
44	060-001-58	Bearing Housing	1		FC	
45	121-247-12	Packing	1	d12.3xd18x2t	Polyethylene	*
46	035-113-18	Oil Plug	1	M12x14	SUS304	
47	025-195-39	Mechanical Seal	1	H-35	SIC	
48	143-070-23	Pan Screw	2	M5x6	SWRM	
49	030-156-18	Oil Lifter	1	H-35(A)(T)	Resin	
50	143-070-10	Pan Screw	3	M5x6	SWRM	
51	030-150-12	Seal Stopper	1	H-35(A)(T)	SPCC	
52	122-281-11	O-Ring	1	190xd3.1	NBR	*
53	046-107-13	Air Release Valve	1	PT-1/2	Nylon	
54	035-112-17	Oil Plug	1	M8x12	SUS304	
55	121-248-13	Packing	1	d8.2xd13.5x2t	Polyethylene	*
56	020-002-07	Pump Casing	1	80C25.5/2.75/211-CR-51/61	FC	
57	026-114-11	Oil Seal	1	TC-557812	NBR	
58	040-113-14	Impeller Shim		d32.5xd48x0.3t	SUS304	
59	021-007-45	Impeller (60Hz)	1	80C211-CR-62	HiCrFC	
60	142-131-17	Plain Washer	1	M20	SUS304	
61	142-168-13	Spring Washer	1	M20	SUS304	
62	141-009-12	Hex.Nut	1	M20	SUS304	
63	120-121-16	Packing (S.Cover)		d204xd264x0.3t	Polyethylene	
64	022-001-66	Suction Cover	1	80C211-CR-51/61	HiCrFC	
65	142-165-10	Spring Washer (for Guide-Rail Fitting)	6	M12	SUS304	
66	140-096-13	Hex.Bolt (for Guide-Rail Fitting)	6	M12x25	SUS304	
68	142-165-10	Spring Washer	3	M12	SUS304	
69	140-096-13	Hex.Bolt	3	M12x25	SUS304	
67	023-288-18	Pump Stand	3	55/110-CE2	FC	
70	142-165-10	Spring Washer	3	M12	SUS304	
71	140-099-16	Hex.Bolt	3	M12x40	SUS304	
72	140-130-36	Hex.Bolt	8	M16x70	SWRM	

PARTS LIST		CUTTER PUMP				5/29/2024
ITEM	PART No.	DESCRIPTION	QTY	SIZE	MATERIAL	NOTES
73	048-000-54	Screwed Flange	1	NPT-3(JIS10K)	FC	
74	121-105-33	Packing	1	JIS10Kx80mm	NR	
75	037-169-15	Discharge Bend	1	80x80mm	FC	
76	142-166-37	Spring Washer	8	M16	SWRH	
77	141-008-11	Hex.Nut	8	M16	SUS304	
78	140-123-10	Hex.Bolt	4	M16x35	SUS304	
79	121-152-19	Packing	1	145mm2(P.C.145)	NBR	*
	173-004-21	<b>Packing O-Ring Set</b>	1Set	(Marked by *)		
24	122-126-17	O-Ring (S.Box Cover)	1	G-75(74.4xd3.1)	NBR	*
28	122-173-19	O-Ring (M.Bracket/M.Frame)	1	V-225(222.5xd6)	NBR	*
39	122-173-19	O-Ring (M.Frame/Brg.Housing)	1	V-225(222.5xd6)	NBR	*
45	121-247-12	Packing (Oil Plug)	1	d12.3xd18x2t	Polyethylene	*
52	122-281-11	O-Ring (Brg.Housing/P.Casing)	1	190xd3.1	NBR	*
55	121-248-13	Packing (Oil Plug)	1	d8.2xd13.5x2t	Polyethylene	*
79	121-152-19	Packing (Discharge Bend)	1	145mm2(P.C.145)	NBR	*
		Lubricant		Turbine Oil VG32 2,090ml		



PARTS LIST		CUTTER PUMP			5/29/2024	
ITEM	PART No.	DESCRIPTION	QTY	SIZE	MATERIAL	NOTES

## 80C211-CR-62



\* Indicates items included in set